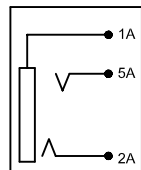
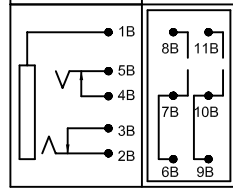


Schematic

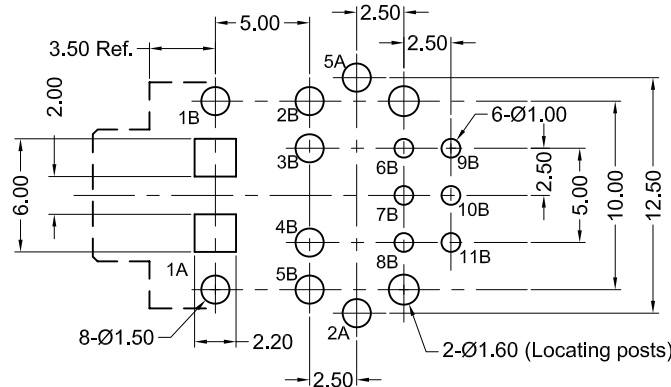
Upper jack



Lower jack



UNMATED  
MATED



Recommended PCB Layout  
(Top View)

Materials and Finish

Housing: PA46 Thermoplastic  
15% Glass Filled, Black  
UL 94V-0 Rated  
Color: Black

Terminals: Phosphor Bronze  
Tin Plated  
Pin # 3B, 4B: Brass, Tin plated

Switch Housing: PBT Thermoplastic  
Switch Slide Knob: PBT  
Switch Terminals: Brass, Silver Plated

Electrical Characteristics

Contact Resistance:  
Before Test: 50 mohms Max.  
After Durability Test:  
100 mohms Max.

Insulation Resistance:  
More than 100 Megohms  
at 500V DC

Dielectric Strength:  
500V AC RMS for 1 minute

Operating Temp:  
-25°C to +85°C

Voltage Rating:  
16 Volts DC

Current Rating:  
0.3 A

Max Process Temp:  
With Jack mounted on PCB,  
Terminals immersed in solder bath at  
260±5°C for 10±1 sec.

Mechanical Characteristics

Insertion Force:  
0.4kg - 3.0kg

Extraction Force:  
0.4kg - 3.0kg

Durability: 5000 mating cycles



Tolerances
X.X ± 0.3
X.XX ± 0.2
Unless Stated Otherwise

REV.	DATE	DESCRIPTION	REV. BY	CHK. BY	DRAWN BY	DATE
A0	10/4/05	New Drawing	R. Aguirre	H. MA	R. Aguirre	07/14/05
A1	01/21/11	ECO #10-095	S. Vien	H. MA		

STX-4235-3/11-N

Stacked 3.5mm/3.5mm Stereo Jacks, RoHS Compliant

3 Position over 11 Position

