

**PLEASE CHECK WWW.MOLEX.COM FOR LATEST PART INFORMATION**

**Part Number:** [0026482072](#)  
**Status:** **Active**  
**Description:** 3.96mm (.156") Pitch KK® Header, Breakaway, Right Angle, 7 Circuits, Gold (Au) Plating

**Documents:**

[3D Model](#) [Product Specification PS-08-50 \(PDF\)](#)  
[Drawing \(PDF\)](#) [RoHS Certificate of Compliance \(PDF\)](#)

**Agency Certification**

CSA LR19980  
 UL E29179

**General**

Product Family PCB Headers  
 Series [41662](#)  
 Application Board-to-Board, Wire-to-Board  
 Product Name KK®

**Physical**

Breakaway Yes  
 Circuits (Loaded) 7  
 Circuits (maximum) 7  
 Color - Resin Black  
 Durability (mating cycles max) 50  
 First Mate / Last Break No  
 Flammability 94V-0  
 Glow-Wire Compliant No  
 Guide to Mating Part No  
 Keying to Mating Part None  
 Lock to Mating Part None  
 Material - Plating Mating Gold  
 Number of Rows 1  
 Orientation Right Angle  
 PC Tail Length (in) 0.184 In  
 PC Tail Length (mm) 4.67 mm  
 PCB Locator No  
 PCB Retention None  
 PCB Thickness Recommended (in) 0.062 In  
 PCB Thickness Recommended (mm) 1.60 mm  
 Packaging Type Bag  
 Pitch - Mating Interface (in) 0.156 In  
 Pitch - Mating Interface (mm) 3.96 mm  
 Polarized to Mating Part Yes  
 Polarized to PCB No  
 Shrouded Partial  
 Stackable No  
 Temperature Range - Operating 0°C to +75°C  
 Termination Interface: Style Through Hole

**Electrical**

Current - Maximum per Contact 7A  
 Voltage - Maximum 250V

**Solder Process Data**

Lead-free Process Capability Wave Capable (TH only)



image - Reference only

Series

**EU RoHS**

**ELV and RoHS Compliant**  
**REACH SVHC**  
 Not Reviewed  
**Halogen-Free Status**  
 Not Reviewed

**China RoHS**



**Need more information on product environmental compliance?**

Email [productcompliance@molex.com](mailto:productcompliance@molex.com)  
 For a multiple part number RoHS Certificate of Compliance, [click here](#)

Please visit the [Contact Us](#) section for any non-product compliance questions.

**Search Parts in this Series**

[41662Series](#)

**Mates With**

[2139](#) , [2145](#) , [6442](#) , [7674](#) , [7675](#) , [41695](#) , [41815](#)

**Material Info**

Old Part Number

41662-A07A501

**Reference - Drawing Numbers**

Product Specification

PS-08-50

Sales Drawing

SD-41662-001

This document was generated on 03/22/2010

**PLEASE CHECK [WWW.MOLEX.COM](http://WWW.MOLEX.COM) FOR LATEST PART INFORMATION**

A-41662-\* N \* \* - \*

PACKAGING AND OPTIONS

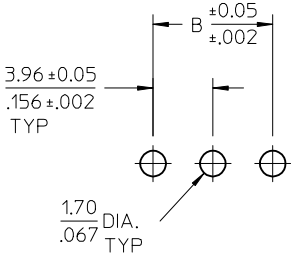
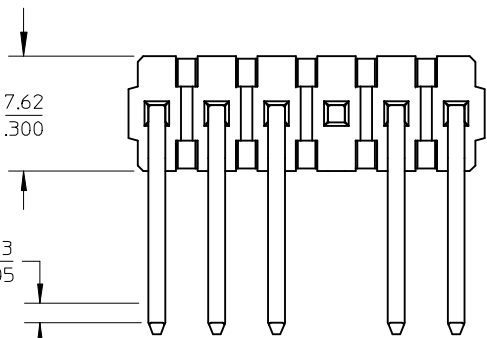
NO. OF CKTS.

PIN DIMENSIONS

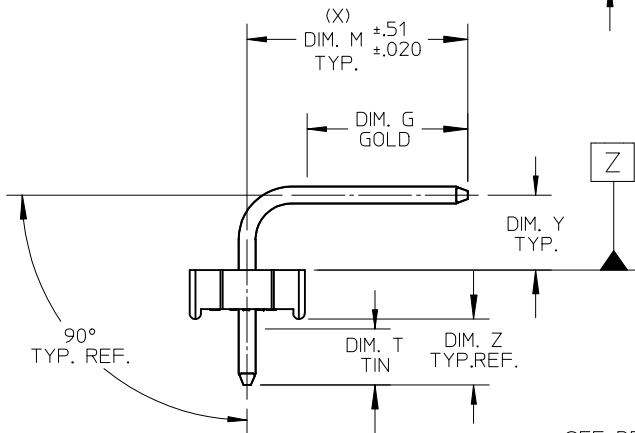
PLATING

VOID LOCATIONS:  
 BLANK = NO VOIDS  
 NO.= CKT NO. VOIDED  
 MULT. VOIDS START WITH 51

CENTERLINE OF PIN IN AREA SHOWN NOT TO VARY FROM CENTERLINE OF PIN AT DATUM Z BY MORE THAN 0.20/.008 IN ANY DIRECTION.



PCB LAYOUT: COMPONENT SIDE  
 RECOMMENDED PCB THICKNESS:  
 (1.57 ± .18) / .062 ± .007



1.3 CENTERLINE OF PIN IN AREA SHOWN NOT TO VARY FROM CENTERLINE OF PIN AT DATUM Z BY MORE THAN 0.13/.005 IN ANY DIRECTION.

SEE DETAIL A

OPTIONAL VOIDED CKT. SEE CHART FOR LOCATIONS

CIRCUIT	B	A
2	3.96 / .156	6.78 / 7.87 / .2677 / .310
3	7.92 / .312	10.74 / 11.84 / .4231 / .466
4	11.89 / .468	14.71 / 15.80 / .5791 / .622
5	15.85 / .624	18.67 / 19.76 / .7351 / .778
6	19.81 / .780	22.63 / 23.72 / .8917 / .934
7	23.77 / .936	26.59 / 27.69 / 1.047 / 1.090
8	27.74 / 1.092	30.56 / 31.65 / 1.203 / 1.246
9	31.70 / 1.248	34.52 / 35.61 / 1.359 / 1.402
10	35.66 / 1.404	38.48 / 39.57 / 1.515 / 1.558
11	39.62 / 1.560	42.44 / 43.54 / 1.671 / 1.714
12	43.59 / 1.716	46.41 / 47.50 / 1.827 / 1.870
13	47.55 / 1.872	50.37 / 51.46 / 1.983 / 2.026
14	51.51 / 2.028	54.33 / 55.42 / 2.139 / 2.182
15	55.47 / 2.184	58.29 / 59.39 / 2.295 / 2.338
16	59.44 / 2.340	62.26 / 63.35 / 2.451 / 2.494
17	63.40 / 2.496	66.22 / 67.31 / 2.607 / 2.650
18	67.36 / 2.652	70.18 / 71.27 / 2.763 / 2.806
19	71.32 / 2.808	74.14 / 75.23 / 2.919 / 2.962
20	75.29 / 2.964	78.11 / 79.20 / 3.075 / 3.118
21	79.25 / 3.120	82.07 / 83.16 / 3.231 / 3.274
22	83.21 / 3.276	86.03 / 87.12 / 3.387 / 3.430
23	87.17 / 3.432	89.94 / 91.08 / 3.541 / 3.586
24	91.14 / 3.588	93.85 / 95.00 / 3.695 / 3.740

NOTES:

- MATERIAL: GLASS FILLED POLYESTER, 94V-0, MOLDED BLACK
- FINISH: PER SDES-88
  - (102) OVERALL TIN: 0.00508 / .000200 MIN.
  - OVERALL COPPER UNDERPLATE: 0.00254 / .000100 MIN.
  - (154) OVERALL TIN: 0.00254 / .000100 MIN.
  - OVERALL NICKEL UNDERPLATE: 0.00127 / .000050 MIN.
  - (208) SELECT GOLD: 0.00038 / .000015 MIN.
  - \* SELECT TIN: 0.00254 / .000100 MIN
  - OVERALL NICKEL UNDERPLATE: 0.00127 / .000050 MIN.
  - (228) SELECT GOLD: 0.00076 / .000030 MIN.
  - \* SELECT TIN: 0.00254 / .000100 MIN.
  - OVERALL NICKEL UNDERPLATE: 0.00127 / .000050 MIN.
  - (501) OVERALL GOLD: 0.00051 / .000020 MIN.
  - OVERALL NICKEL UNDERPLATE: 0.00076 / .000030 MIN.

- PRODUCT SPECIFICATION: PS-08-50.
- PACKAGING INFORMATION: SEE CHARTS
- SOLDERABILITY: PER SMES-152.
- PIN PUSH-OUT FORCE: PRIOR TO SOLDERING, A 3 LB. MINIMUM FORCE (IN EITHER DIRECTION) SHALL BE REQUIRED TO PUSH THE PIN OUT OF THE HEADER.
- PARTS ARE STACKABLE END TO END ON 3.96 / .156 CENTERS. (SPACING TABS MUST BE REMOVED ON CIRCUIT SIZES 1-23 BEFORE PARTS ARE STACKABLE.)
- THE PRIMARY SHIPPING CARTON WILL BE LABELED, "COMPLIANT TO RoHS DIRECTIVE 2002/95/EC AND ELV ANNEX II OF DIRECTIVE 2000/53/EC". CARTONS WITHOUT THIS LABEL MAY CONTAIN PRODUCT WITH TIN-LEAD PLATING.
- THIS PART CONFORMS TO CLASS B REQUIREMENTS OF COSMETIC SPECIFICATION PS-45499-002.

2-*	AH7
1	
SHT.	REV.

REMOVE 41662-0684 EC NO: UCP2010-0149 DRWN:MKIPPER 2009/08/05 CHK'D:SSOUSEK 2009/08/10 APPR:FSM TH 2009/08/11	QUALITY SYMBOLS	GENERAL TOLERANCES (UNLESS SPECIFIED)	DIMENSION STYLE	SCALE	DESIGN UNITS	THIRD ANGLE PROJECTION
	▽=0	mm INCH	MM/IN	4:1	INCH	
	∇=0	4 PLACES ± --- ± ---	DRAWN BY DATE			
		3 PLACES ± --- ± .010	CHECKED BY DATE			
	2 PLACES ± 0.25 ± .014	APPROVED BY DATE				
	1 PLACE ± 0.36 ± ---	MATERIAL NO.				
	ANGULAR ± 1/2°					
	DRAFT WHERE APPLICABLE MUST REMAIN WITHIN DIMENSIONS					
AH7	REV	SIZE				

DRAWN BY	DATE	TITLE
JSCHAFFER	2003/09/15	KK .156 HEADER ASSEMBLY FLAT BREAKAWAY 2-24 CKTS.
CHECKED BY	DATE	
KSAMIEC	2003/09/15	
APPROVED BY	DATE	
MARGULIS	2003/09/15	
MATERIAL NO.		
SEE CHART		
SIZE		
A		

MOLEX INCORPORATED	DOCUMENT NO.	SHEET NO.
	SD-41662-001	1 OF 12

THIS DRAWING CONTAINS INFORMATION THAT IS PROPRIETARY TO MOLEX INCORPORATED AND SHOULD NOT BE USED WITHOUT WRITTEN PERMISSION	
---	--

