

PLEASE CHECK WWW.MOLEX.COM FOR LATEST PART INFORMATION

Part Number: **0493900001**
Status: **Active**
Description: 6.60mm (.259") Pitch Wire-to-Board Header, Dual Row, Vertical, 8 Circuits, Polyester Carbonate UL94V-0, White

Documents:

[3D Model](#) [Product Specification PS-49390-001 \(PDF\)](#)
[Drawing \(PDF\)](#) [RoHS Certificate of Compliance \(PDF\)](#)

Agency Certification

UL E29179

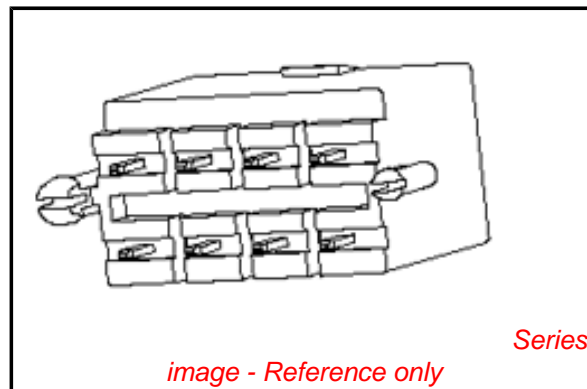
General

Product Family PCB Headers
 Series [49390](#)
 Application Wire-to-Board
 Comments Polarized to Mating Part
 Product Name N/A

Physical

Breakaway No
 Circuits (Loaded) 8
 Circuits (maximum) 8
 Durability (mating cycles max) 30
 First Mate / Last Break No
 Flammability 94V-0
 Glow-Wire Compliant No
 Guide to Mating Part No
 Keying to Mating Part None
 Lock to Mating Part Yes
 Material - Plating Mating Tin
 Material - Plating Termination Tin
 Number of Rows 2
 Orientation Vertical
 PC Tail Length (in) 0.130 In
 PC Tail Length (mm) 3.30 mm
 PCB Locator Yes
 PCB Retention Yes
 Packaging Type Bag
 Pitch - Mating Interface (in) 0.236 In
 Pitch - Mating Interface (mm) 6.00 mm
 Pitch - Term. Interface (in) 0.236 In
 Pitch - Term. Interface (mm) 6.00 mm
 Plating min: Mating (µin) 40
 Plating min: Mating (µm) 1
 Plating min: Termination (µin) 40
 Plating min: Termination (µm) 1
 Polarized to Mating Part No
 Polarized to PCB Yes
 Shrouded Fully
 Stackable No
 Surface Mount Compatible (SMC) No
 Temperature Range - Operating -40°C to +120°C
 Termination Interface: Style Through Hole

Electrical



EU RoHS

ELV and RoHS Compliant
REACH SVHC
 Not Reviewed
Halogen-Free Status
Not Reviewed

China RoHS



Need more information on product environmental compliance?

Email productcompliance@molex.com
 For a multiple part number RoHS Certificate of Compliance, [click here](#)

Please visit the [Contact Us](#) section for any non-product compliance questions.

Search Parts in this Series
[49390Series](#)

Current - Maximum per Contact
Voltage - Maximum

0.5A
300V AC (RMS)/DC

Material Info

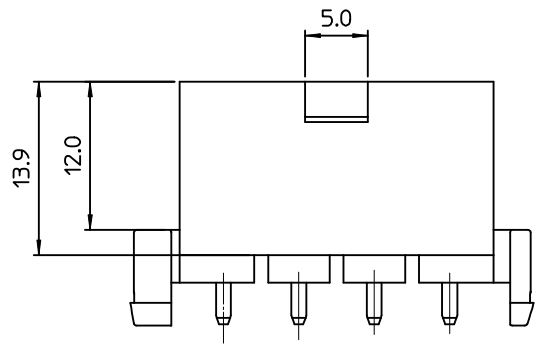
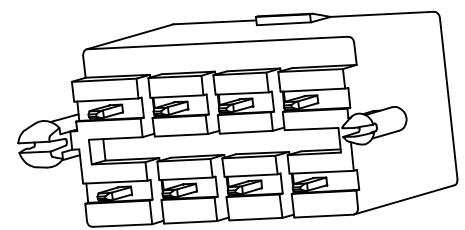
Reference - Drawing Numbers

Product Specification
Sales Drawing

PS-49390-001
SD-49390-001

This document was generated on 04/21/2010

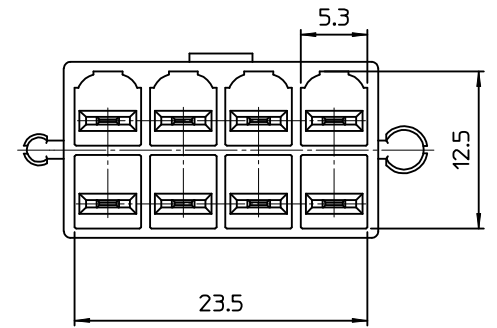
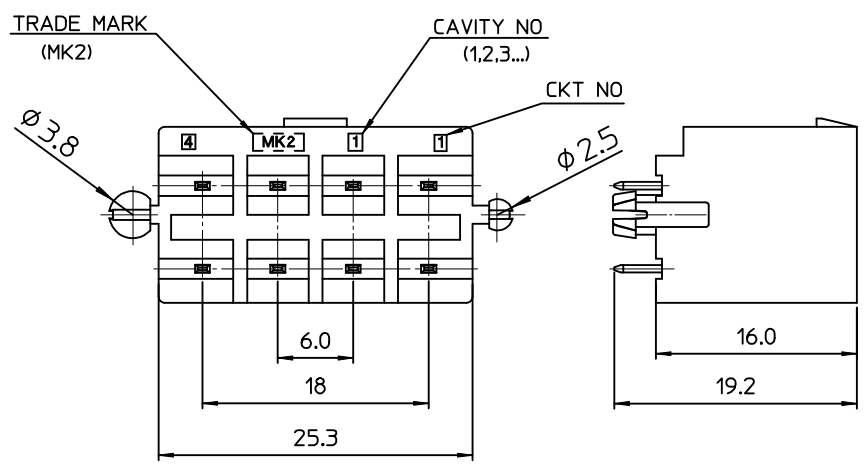
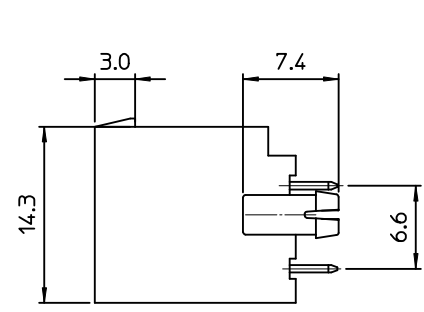
PLEASE CHECK WWW.MOLEX.COM FOR LATEST PART INFORMATION



Notes

- 1. MATERIAL : WAFER : PC/PET UL94V-0
 @PIN : BRASS, PRE TIN-PLATED
- 2. COLOR : SEE TABLE
- 3. MATED HOUSING : 49391-000*
- 4. PRODUCT SPECIFICATION : PS-49390-001
- 5. PACKING SPECIFICATION : PK-49390-001

NO.	ENG NO.	COLOR	MATERIAL
1	49390-0001	NATURAL	PC/PET (UL94V-0)
2	49390-0002	RED	
3	49390-0004	BLUE	



REVISED EC NO: KOR2010-0047 DRAWN: JHPARK01 2009/09/16 CHKD: WYANG 2009/09/18 APPR: YUNSIKKIM 2009/09/18	DESCRIPTION REV	QUALITY SYMBOLS	GENERAL TOLERANCES (UNLESS SPECIFIED)	DIMENSION STYLE	SCALE	DESIGN UNITS	THIRD ANGLE PROJECTION
		$\nabla = 0$ $\nabla C = 0$	mm INCH 4 PLACES ± --- ± --- 3 PLACES ± --- ± --- 2 PLACES ± 0.2 ± --- 1 PLACE ± 0.3 ± --- ANGULAR ± 1 °	MM ONLY	2.5:1	METRIC	TITLE .070 W/B CONNECTOR-8P HEADER
		DRAFT WHERE APPLICABLE MUST REMAIN WITHIN DIMENSIONS	DRAWN BY JH.PARK DATE 2006/05/30 CHECKED BY WY.YANG DATE 2006/05/30 APPROVED BY SH.CHOI DATE 2006/05/30 MATERIAL NO.	SEE TABLE	MOLEX INCORPORATED DOCUMENT NO. SD-49390-001	SHEET NO. 1 OF 01	
		THIS DRAWING CONTAINS INFORMATION THAT IS PROPRIETARY TO MOLEX INCORPORATED AND SHOULD NOT BE USED WITHOUT WRITTEN PERMISSION					