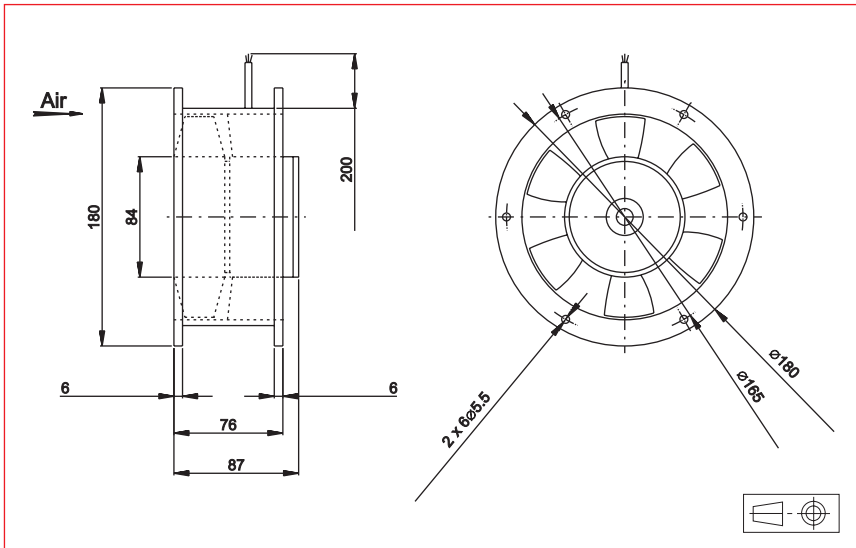


**Ø 7,086" x 3,425" Ø 180 x 87 mm**

**Series 85M**

**ETRI®**

400 Hz Fans



**Approvals**

NATO codification

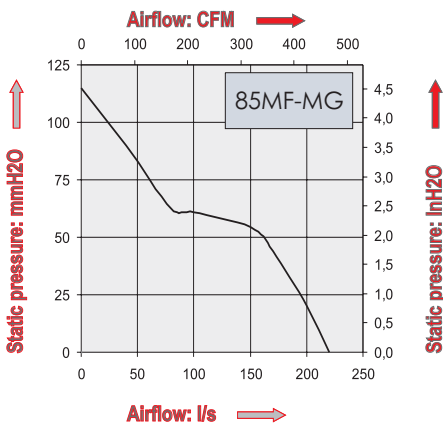
**Life expectancy**

L-10 LIFE AT 40°C:  
25 000 hours

**400 Hz Motor**

Housing material: aluminium  
Impeller material: aluminium  
Weight: 2,1 kg  
Bearing system: ball bearings

Connection: flying leads



Part Number	Nominal voltage	Airflow	Noise level	Nominal speed	Phases	Capacitor (not included)	Input power	Nominal Current	Starting Current	Operating temperature	
	V	l/s	dB(A)	RPM		µF	W	mA	mA	Min.°C	Max.°C
85MF0160C13	200	220	83	7600	3		205	1100	3600	-10	70
85MF0162C13	115	220	83	7600	3		205	1900	6200	-10	70
85MG0160C13	200	220	82	7600	1	1	230	1150	2400	-10	70
85MG0162C13	115	220	82	7600	1	3,2	230	2000	4000	-10	70

**Additional versions:**  
Salt spray protected - Shock and vibration protected

**Accessories:**  
Refer to Accessories leaflet