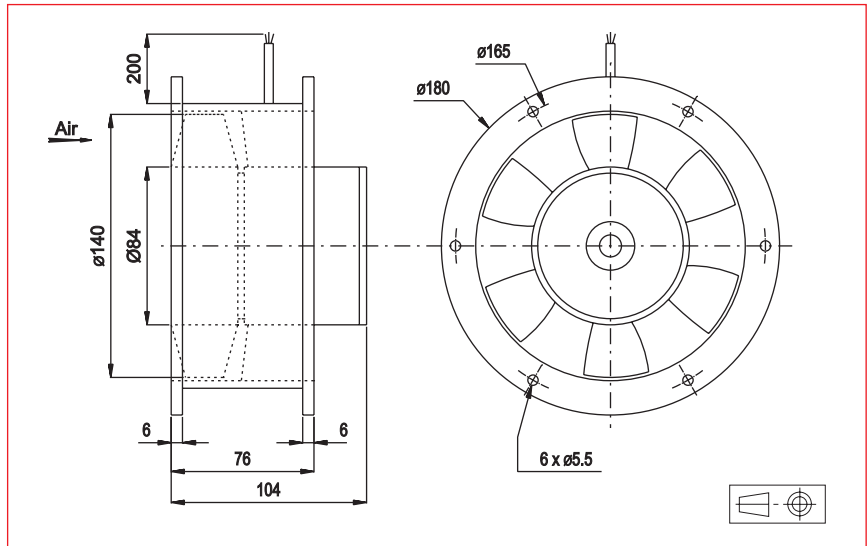


#### 400Hz Fans



#### Approvals

NATO codification



#### Life expectancy

L-10 LIFE AT 40°C:  
25 000 hours

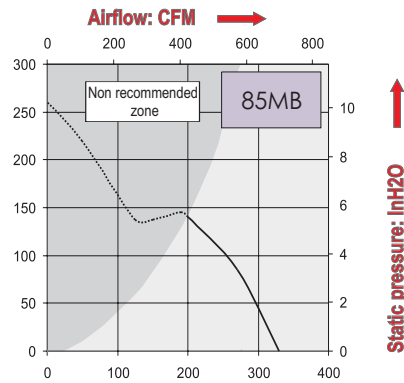
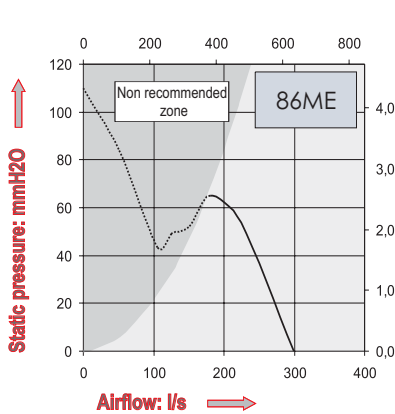
#### 400 Hz Motor

Housing material: aluminium  
Impeller material: aluminium  
Weight: 2,6 kg  
Bearing system: ball bearings

Connection: flying leads

#### Available with:

- safety switch
- Single phase (80MZ)



Part Number	Nominal voltage	Airflow	Noise level	Nominal speed	Phases	Capacitor (not included)	Input power	Nominal Current	Starting Current	Operating temperature	
	V	l/s	dB(A)	RPM		µF	W	mA	mA	Min. °C	Max. °C
86ME0162C13	115	300	80	7400	3		400	3700	10000	-10	70
86ME0160C13	200	300	80	7400	3		400	2100	5700	-10	70
85MB0160C13	200	330	90	11000	3		660	2750	1100	-10	70
85MB0162C13	115	330	90	11000	3		660	4800	1900	-10	70

**Additional versions:**  
Salt spray protected - Shock and vibration protected - Marine specifications  
Wide temperature range

**Accessories:**  
Refer to Accessories leaflet