

Heavy Duty Magnetic Latching Relay

HG4502



FEATURES

- Energy-conscious design, one pulse will be enough to complete switching
- Compact structure
- Single, dual coil version available
- Contact status indicator version available

TYPICAL APPLICATIONS

- Prepaid card electric meter
- Others

CONTACT DATA

Form	1 Form B (D), 1 Form A (H)	
Material	AgCdO	
Rated Load	60A, 220VAC	
Initial Contact Resistance	5 mΩ, max. at 0.1A, 6VDC	
Service Life	Mechanical	10 ⁵ ops.
	Electrical	10 ⁴ ops.

COIL DATA

Type	Coil Voltage Code	Nominal Voltage (VDC)	Resistance (Ω) ±10%	Operate Voltage (VDC)
Single	005	5	25	2.0 - 3.5
	009	9	80	3.6 - 6.0
	012	12	145	4.8 - 8.5
	024	24	575	9.6 - 16.8
Dual	005	5	13	2.0 - 3.5
	009	9	40	3.6 - 6.0
	012	12	73	4.8 - 8.5
	024	24	288	9.6 - 16.8

CHARACTERISTICS

Operate Time	8 ms. typical
Release Time	8 ms. typical
Insulation Resistance	1000 MΩ, at 500 VDC, 50%RH
Dielectric Strength	4000 Vrms, 1 min. between coil and contacts 2000 Vrms, 1 min. between open contacts
Shock Resistance	10 g, 11ms.
Vibration Resistance	DA 1.5 mm; 20 - 200Hz
Power Consumption	Single Coil: 1W, pulse width: 30 ms. Dual Coil: 2W, pulse width: 30 ms.
Temperature Rise	Cover: 26°C; Terminals: 36°C, approx.
Ambient	-40°C to 70°C
Weight	46 g, approx.

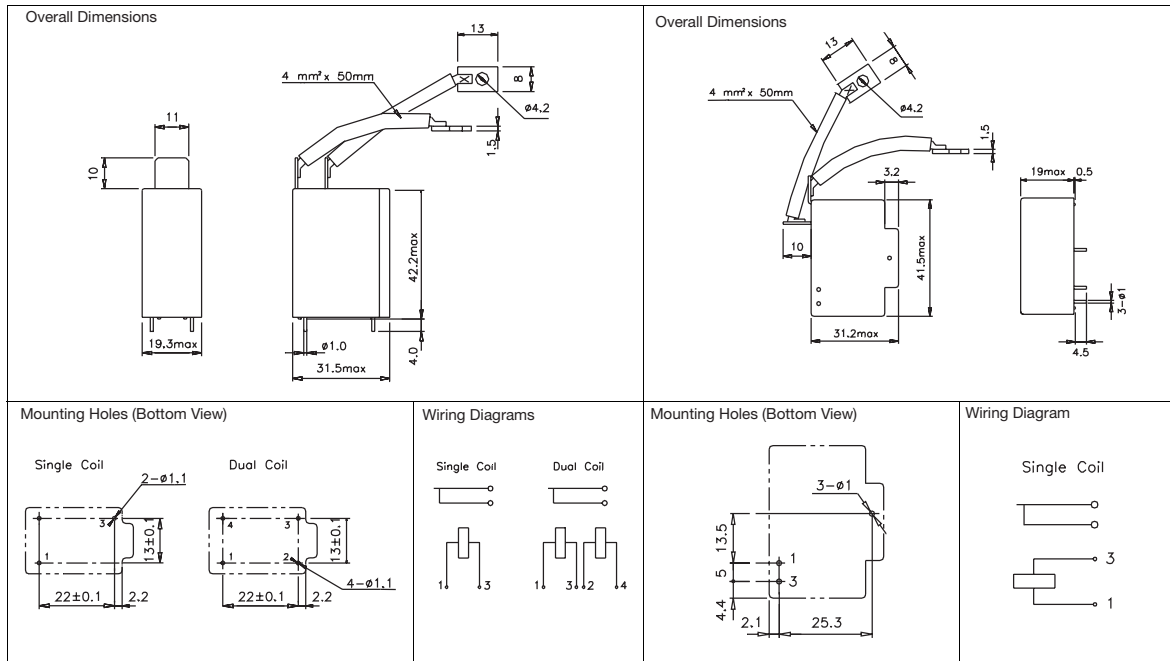
ORDERING DESIGNATION

Example:	HG4502 /	012 -	S	D	1
Model					
Coil Voltage Code					
Coil Form					
Nil: Single Coil; S: Dual Coil					
Status Indicator					
Nil: Nil; D: With Indicator					
Mounting Type					
Nil: Vertical; 1: Flat; 2: Lateral					

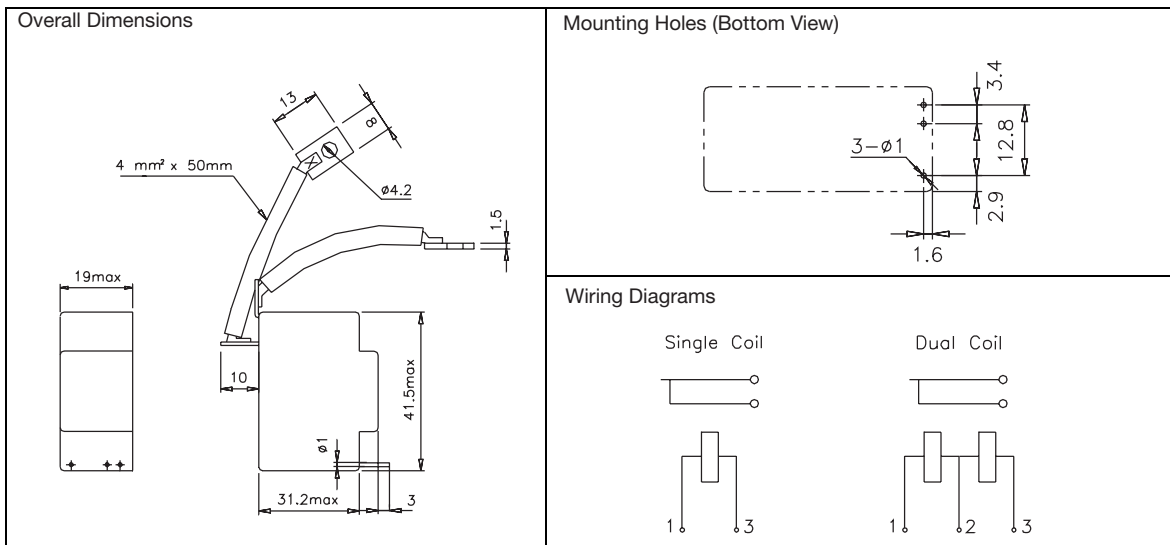
OVERALL DIMENSIONS, MOUNTING HOLES AND WIRING DIAGRAMS (mm)

Vertical Type

Flat Type



Lateral Type



NOTES

1. All parameters, unless otherwise specified, are measured at ambient temperature 23°C.
2. Factory set contacts to close.
3. For single coil type, send positive pulse from coil terminal No.1 to make contacts break, then send negative pulse make contacts make.
4. For dual coil type, send positive pulse from coil terminal No. 1 to make contacts break, then send negative pulse from terminal No. 2 make contacts make (negative pulse from No. 2 to No. 3 for lateral type)
5. Custom-made services available with operational quantity. Please let us know your special requirements.
6. Specifications subject to change without prior notice.