



### Features


- ◇ For RF SAW filter
- ◇ Single-ended operation
- ◇ Ceramic Surface Mount Package
- ◇ Small size
- ◇ RoHS compliant (2002/95/EC), Pb-free

### Specifications

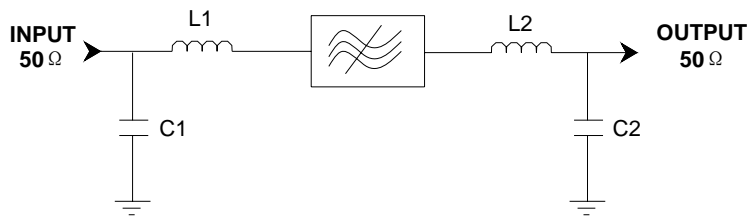
Parameter	Unit	Minimum	Typical	Maximum
Center Frequency	MHz	-	868.3	-
Insertion Loss(868~868.78MHz)	dB	-	2.7	4.2
Pass Bandwidth	MHz	-	0.15	-
Passband Variation	868~868.78MHz	dB	1	3
	867.9~868.88MHz	dB	1.5	6
Ultimate Rejection	10~700MHz	dB	50	-
	700~830MHz	dB	40	-
	830~850MHz	dB	35	-
	850~865.02MHz	dB	25	-
	871~874.5MHz	dB	15	-
	874.5~883MHz	dB	22	-
	883~900MHz	dB	30	-
	900~1000MHz	dB	40	-
Material Temperature coefficient	KHz/°C	-27.7		
Substrate Material	-	42LT		
Ambient Temperature	°C	25		
Operating Temperature Range	°C	-40	-	+85
Storage Temperature Range	°C	-45	-	+105
DC Voltage	V	0		
Input Power	dBm	-	-	10
ESD Class	-	1A		
Package Size	SMD3.8*3.8			

#### Notes:

1. All specifications are based on the test circuit shown;
2. In production, all specifications are measured by Agilent Network analyzer and full 2 port calibration at room temperature;
3. Electrical margin has been built into the design to account for the variations due to temperature drift and manufacturing tolerances;
4. This is the optimum impedance in order to achieve the performance show.

	<b>SIPAT Co., Ltd.</b> ( CETC No.26 Research Institute ) #14 Nanping Huayuan Road, Chongqing, China, 400060	Part Number	LBT86801	
		Rev. Date	2010-06-04	
		Ver.	1.0	Page

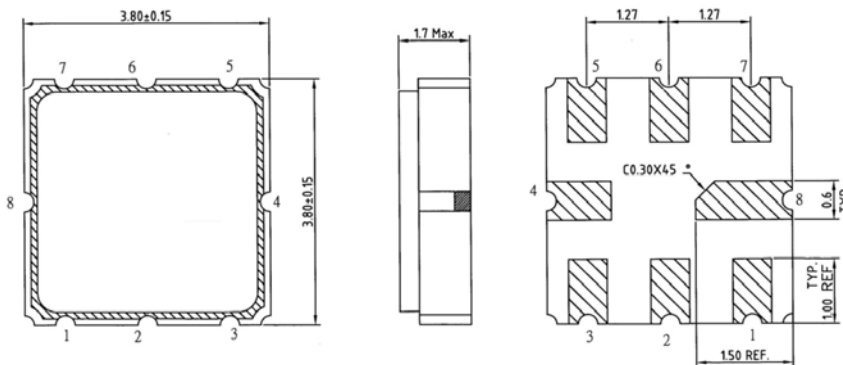
### Matching Configuration



**L1=L2=15nH**  
**C1=C2=3.3pF**  
**Source/Load Impedance=50 ohm**

Notes - Component values may change depending  
on board layout.

### Package Dimension



#### Pad Configuration:

- #1: Input or Input Ground
- #2: Input Ground or Input
- #5: Output
- #6: Output Ground
- #4, 8: Case Ground
- #3, 7: Ground

**Package: SMD3.8\*3.8**

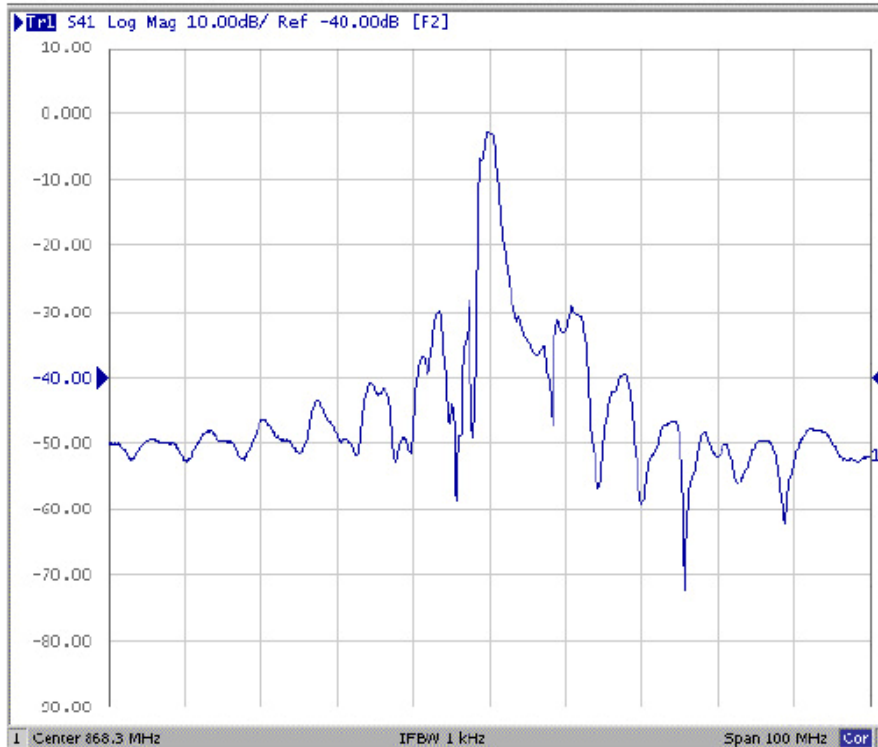
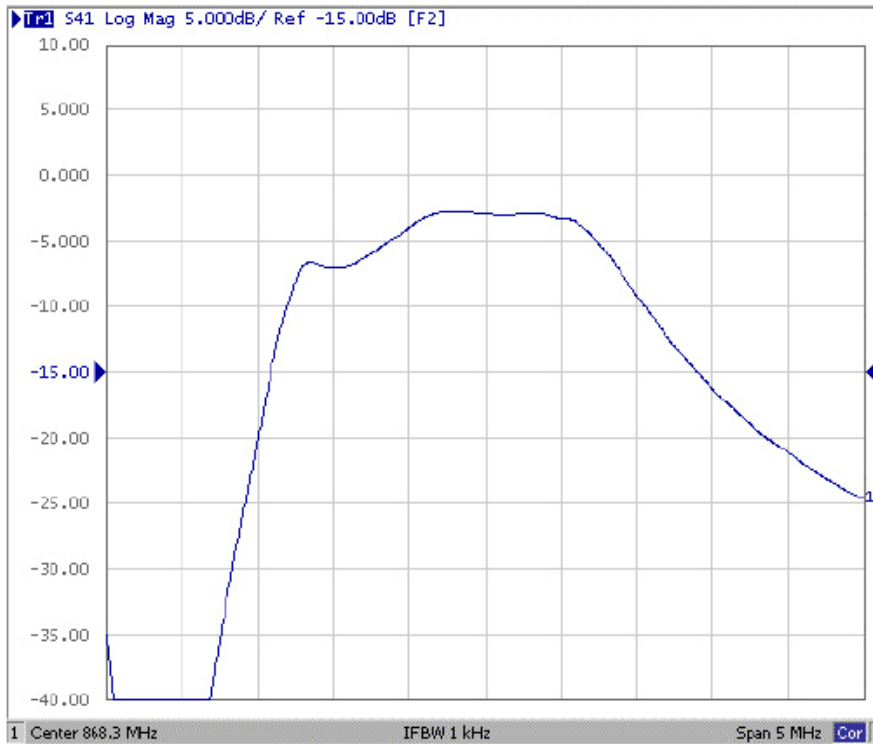
**Unit: mm**



**SIPAT Co., Ltd.**  
( CETC No.26 Research Institute )  
#14 Nanping Huayuan Road,  
Chongqing, China, 400060

Part Number	LBT86801	
Rev. Date	2010-06-04	
Ver.	1.0	Page 2/3

Typical Performance



**SIPAT Co., Ltd.**  
( CETC No.26 Research Institute )  
#14 Nanping Huayuan Road,  
Chongqing, China, 400060

Part Number	LBT86801	
Rev. Date	2010-06-04	
Ver.	1.0	Page 3/3