



# Serially Controlled, Low-Voltage, 8-Channel/Dual 4-Channel Multiplexers

## General Description

The MAX349/MAX350 are 8-channel and dual 4-channel serially controlled multiplexers (muxes). These muxes conduct equally well in either direction. On-resistance ( $100\Omega$  max) is matched between switches to  $16\Omega$  max and is flat ( $10\Omega$  max) over the specified signal range.

These CMOS devices can operate continuously with dual power supplies ranging from  $\pm 2.7V$  to  $\pm 8V$  or a single supply between  $+2.7V$  and  $+16V$ . Each mux can handle rail-to-rail analog signals. The off-leakage current is only  $0.1nA$  at  $+25^\circ C$  or  $5nA$  at  $+85^\circ C$ .

Upon power-up, all switches are off and the internal shift registers are reset to zero.

The serial interface is compatible with SPI™/QSPI™ and MICROWIRE™. Functioning as a shift register, it allows data (at DIN) to be clocked in synchronously with the rising edge of clock (SCLK). The shift register's output (DOUT) enables several MAX349s or MAX350s to be daisy chained.

All digital inputs have  $0.8V$  or  $2.4V$  logic thresholds, ensuring both TTL and CMOS-logic compatibility when using  $\pm 5V$  supplies or a single  $+5V$  supply.

## Applications

Serial Data-Acquisition Systems	Industrial and Process-Control Systems
Avionics	ATE Equipment
Audio Signal Routing	Networking

## Features

- ◆ SPI/QSPI, MICROWIRE-Compatible Serial Interface
- ◆ 8 Separately Controlled SPST Switches
- ◆ Single 8-to-1 Mux (MAX349)  
Dual 4-to-1 Mux (MAX350)
- ◆  $100\Omega$  Signal Paths with  $\pm 5V$  Supplies
- ◆ Rail-to-Rail® Signal Handling
- ◆ Asynchronous  $\overline{RESET}$  Input
- ◆  $\pm 2.7V$  to  $\pm 8V$  Dual Supplies  
 $+2.7V$  to  $+16V$  Single Supply
- ◆  $>2kV$  ESD Protection per Method 3015.7
- ◆ TTL/CMOS-Compatible Inputs (with  $+5V$  or  $\pm 5V$  Supplies)

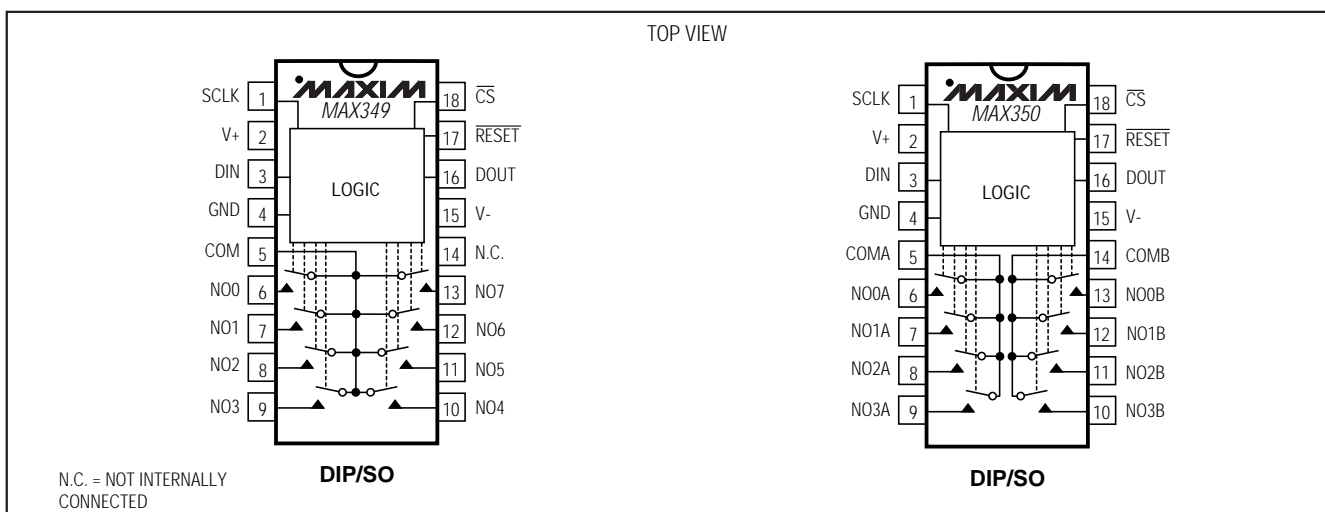
## Ordering Information

PART	TEMP. RANGE	PIN-PACKAGE
MAX349CPN	$0^\circ C$ to $+70^\circ C$	18 Plastic DIP
MAX349CWN	$0^\circ C$ to $+70^\circ C$	18 Wide SO
MAX349CAP	$0^\circ C$ to $+70^\circ C$	20 SSOP
MAX349C/D	$0^\circ C$ to $+70^\circ C$	Dice*

Ordering Information continued at end of data sheet.

\*Contact factory for dice specifications.

## Pin Configurations/Functional Diagrams



Pin Configurations continued at end of data sheet.

SPI and QSPI are trademarks of Motorola, Inc. MICROWIRE is a trademark of National Semiconductor Corp.

Rail-to-Rail is a registered trademark of Nippon Motorola, Ltd.



Maxim Integrated Products 1

For free samples & the latest literature: <http://www.maxim-ic.com>, or phone 1-800-998-8800.  
For small orders, phone 1-800-835-8769.

# Serially Controlled, Low-Voltage, 8-Channel/Dual 4-Channel Multiplexers

## ABSOLUTE MAXIMUM RATINGS

Voltages Referenced to GND

V+	.....-0.3V, +17V
V-	.....-17V, +0.3V
V+ to V-	.....-0.3V, +17V
SCLK, CS, DIN, DOUT, RESET	.....-0.3V to (V+ + 0.3V)
NO, COM	.....(V- - 2V) to (V+ + 2V)
Continuous Current into Any Terminal	.....±30mA
Peak Current, NO or COM (pulsed at 1ms, 10% duty cycle)	.....±100mA

Continuous Power Dissipation (TA = +70°C)

18-Pin Plastic DIP (derate 11.11mW/°C above +70°C)	.....889mW
18-Pin SO (derate 9.52mW/°C above +70°C)	.....762mW
20-Pin SSOP (derate 8.00mW/°C above +70°C)	.....640mW
18-Pin CERDIP (derate 10.53mW/°C above +70°C)	.....842mW

Operating Temperature Ranges

MAX349C_-, MAX350C_-	.....0°C to +70°C
MAX349E_-, MAX350E_-	.....-40°C to +85°C
MAX349M_-, MAX350M_-	.....-55°C to +125°C
Storage Temperature Range	.....-65°C to +150°C
Lead Temperature (soldering, 10sec)	.....+300°C

Stresses beyond those listed under "Absolute Maximum Ratings" may cause permanent damage to the device. These are stress ratings only, and functional operation of the device at these or any other conditions beyond those indicated in the operational sections of the specifications is not implied. Exposure to absolute maximum rating conditions for extended periods may affect device reliability.

## ELECTRICAL CHARACTERISTICS—Dual Supplies

(V+ = +4.5V to +5.5V, V- = -4.5V to -5.5V, TA = TMIN to TMAX, unless otherwise noted. Typical values are at TA = +25°C.)

PARAMETER	SYMBOL	CONDITIONS		MIN	TYP (Note 1)	MAX	UNITS	
<b>ANALOG SWITCH</b>								
Analog Signal Range	VCOM, VNO	C, E, M		V-		V+	V	
COM-NO On-Resistance	RON	V+ = 5V, V- = -5V, VCOM = ±3V, INO = 1mA	TA = +25°C		60	100	Ω	
			C, E, M			125		
COM-NO On-Resistance Match Between Channels (Note 2)	ΔRON	V+ = 5V, V- = -5V, VCOM = ±3V, INO = 1mA	TA = +25°C			16	Ω	
			C, E, M			20		
COM-NO On-Resistance Flatness (Note 2)	RFLAT(ON)	V+ = 5V, V- = -5V, INO = 1mA, VCOM = -3V, 0V, 3V	TA = +25°C			10	Ω	
			C, E, M			15		
NO Off-Leakage Current (Note 3)	INO(OFF)	V+ = 5.5V, V- = -5.5V, VCOM = -4.5V, VNO = 4.5V	TA = +25°C	-0.1	0.002	0.1	nA	
			C, E	-5		5		
			M	-10		10		
			TA = +25°C	-0.1	0.002	0.1		
		V+ = 5.5V, V- = -5.5V, VCOM = 4.5V, VNO = -4.5V	C, E	-5		5		
			M	-10		10		
COM Off-Leakage Current (Note 3)	ICOM(OFF)	V+ = 5.5V, V- = -5.5V, VCOM = ±4.5V, VNO = ±4.5V	MAX349	TA = +25°C	-0.1	0.002	0.1	nA
				C, E	-10		10	
				M	-100		100	
			MAX350	TA = +25°C	-0.1	0.002	0.1	
				C, E	-5		5	
				M	-50		50	
		V+ = 5.5V, V- = -5.5V, VCOM = -4.5V, VNO = 4.5V	MAX349	TA = +25°C	-0.2	0.002	0.2	
				C, E	-10		10	
				M	-100		100	
			MAX350	TA = +25°C	-0.2	0.002	0.2	
				C, E	-5		5	
				M	-50		50	

# Serially Controlled, Low-Voltage, 8-Channel/Dual 4-Channel Multiplexers

MAX349/MAX350

## ELECTRICAL CHARACTERISTICS—Dual Supplies (continued)

(V+ = +4.5V to +5.5V, V- = -4.5V to -5.5V, T<sub>A</sub> = T<sub>MIN</sub> to T<sub>MAX</sub>, unless otherwise noted. Typical values are at T<sub>A</sub> = +25°C.)

PARAMETER	SYMBOL	CONDITIONS		MIN	TYP (Note 1)	MAX	UNITS	
COM On-Leakage Current (Note 3)	I <sub>COM(ON)</sub>	V+ = 5.5V, V- = -5.5V, V <sub>COM</sub> = V <sub>NO</sub> = ±4.5V	MAX349	T <sub>A</sub> = +25°C	-0.2	0.001	0.2	nA
				C, E	-10		10	
				M	-100		100	
			MAX350	T <sub>A</sub> = +25°C	-0.2	0.02	0.2	
				C, E	-5		5	
				M	-50		50	
<b>DIGITAL I/O</b>								
DIN, SCLK, $\overline{\text{CS}}$ , $\overline{\text{RESET}}$ Input Voltage Logic Threshold High	V <sub>IH</sub>		C, E, M	2.4			V	
DIN, SCLK, $\overline{\text{CS}}$ , $\overline{\text{RESET}}$ Input Voltage Logic Threshold Low	V <sub>IL</sub>		C, E, M			0.8	V	
DIN, SCLK, $\overline{\text{CS}}$ , $\overline{\text{RESET}}$ Input Current Logic High or Low	I <sub>IH</sub> , I <sub>IL</sub>	V <sub>DIN</sub> , V <sub>SCLK</sub> , V <sub>CS</sub> = 0.8V or 2.4V	C, E, M	-1	0.03	1	μA	
DOUT Output Voltage Logic High	V <sub>DOUT</sub>	I <sub>DOUT</sub> = 0.8mA	C, E, M	2.8		V+	V	
DOUT Output Voltage Logic Low	V <sub>DOUT</sub>	I <sub>DOUT</sub> = -1.6mA	C, E, M	0		0.4	V	
SCLK Input Hysteresis	SCLKHYST		C, E, M		100		mV	
<b>SWITCH DYNAMIC CHARACTERISTICS</b>								
Turn-On Time	t <sub>ON</sub>	From rising edge of $\overline{\text{CS}}$	T <sub>A</sub> = +25°C	200	275		ns	
			C, E, M			400		
Turn-Off Time	t <sub>OFF</sub>	From rising edge of $\overline{\text{CS}}$	T <sub>A</sub> = +25°C	90	150		ns	
			C, E, M			300		
Break-Before-Make Delay	t <sub>BBM</sub>	From rising edge of $\overline{\text{CS}}$	T <sub>A</sub> = +25°C	5	40		ns	
Charge Injection (Note 4)	V <sub>CTE</sub>	C <sub>L</sub> = 1nF, V <sub>NO</sub> = 0V, R <sub>S</sub> = 0Ω	T <sub>A</sub> = +25°C		1	10	pC	
NO Off-Capacitance	C <sub>NO(OFF)</sub>	V <sub>NO</sub> = GND, f = 1MHz	T <sub>A</sub> = +25°C		2		pF	
COM Off-Capacitance	C <sub>COM(OFF)</sub>	V <sub>COM</sub> = GND, f = 1MHz	T <sub>A</sub> = +25°C		2		pF	
Switch On-Capacitance	C <sub>(ON)</sub>	V <sub>COM</sub> = V <sub>NO</sub> = GND, f = 1MHz	T <sub>A</sub> = +25°C		8		pF	
Off-Isolation	V <sub>ISO</sub>	R <sub>L</sub> = 50Ω, C <sub>L</sub> = 15pF, V <sub>NO</sub> = 1V <sub>RMS</sub> , f = 100kHz	T <sub>A</sub> = +25°C		> 90		dB	
Channel-to-Channel Crosstalk	V <sub>CT</sub>	R <sub>L</sub> = 50Ω, C <sub>L</sub> = 15pF, V <sub>NO</sub> = 1V <sub>RMS</sub> , f = 100kHz	T <sub>A</sub> = +25°C		< -90		dB	
<b>POWER SUPPLY</b>								
Power-Supply Range	V+, V-		C, E, M	±3		±8	V	
V+ Supply Current	I+	DIN = $\overline{\text{CS}}$ = SCLK = 0V or V+, $\overline{\text{RESET}}$ = 0V or V+	T <sub>A</sub> = +25°C	7	20		μA	
			C, E, M			30		
V- Supply Current	I-	DIN = $\overline{\text{CS}}$ = SCLK = 0V or V+, $\overline{\text{RESET}}$ = 0V or V+	T <sub>A</sub> = +25°C	-1	0.1	1	μA	
			C, E, M	-2		2		

# Serially Controlled, Low-Voltage, 8-Channel/Dual 4-Channel Multiplexers

## TIMING CHARACTERISTICS—Dual Supplies (Figure 1)

(V+ = +4.5V to +5.5V, V- = -4.5V to -5.5V, T<sub>A</sub> = T<sub>MIN</sub> to T<sub>MAX</sub>, unless otherwise noted. Typical values are at T<sub>A</sub> = +25°C.)

PARAMETER	SYMBOL	CONDITIONS	MIN	TYP (Note 1)	MAX	UNITS
<b>SERIAL DIGITAL INTERFACE</b>						
SCLK Frequency	f <sub>SCLK</sub>	C, E, M	0	2.1		MHz
Cycle Time	t <sub>CH</sub> + t <sub>CL</sub>	C, E, M	480			ns
$\overline{\text{CS}}$ Lead Time	t <sub>CS</sub>	C, E, M	240			ns
$\overline{\text{CS}}$ Lag Time	t <sub>CSH2</sub>	C, E, M	240			ns
SCLK High Time	t <sub>CH</sub>	C, E, M	190			ns
SCLK Low Time	t <sub>CL</sub>	C, E, M	190			ns
Minimum Data Setup Time	t <sub>DS</sub>	C, E, M		17	100	ns
Data Hold Time	t <sub>DH</sub>	C, E, M	0	-17		ns
DIN Data Valid after Falling SCLK (Note 4)	t <sub>DO</sub>	50% of SCLK to 10% of DOUT, C <sub>L</sub> = 10pF		85		ns
		T <sub>A</sub> = +25°C C, E, M			400	
Rise Time of DOUT (Note 4)	t <sub>DR</sub>	20% of V+ to 70% of V+, C <sub>L</sub> = 10pF			100	ns
Allowable Rise Time at DIN, SCLK (Note 4)	t <sub>SCR</sub>	20% of V+ to 70% of V+, C <sub>L</sub> = 10pF			2	μs
Fall Time of DOUT (Note 4)	t <sub>DF</sub>	20% of V+ to 70% of V+, C <sub>L</sub> = 10pF			100	ns
Allowable Fall Time at DIN, SCLK (Note 4)	t <sub>SCF</sub>	20% of V+ to 70% of V+, C <sub>L</sub> = 10pF			2	μs
RESET Minimum Pulse Width	t <sub>RW</sub>			70		ns

**Note 1:** The algebraic convention is used in this data sheet; the most negative value is shown in the minimum column.

**Note 2:**  $\Delta R_{ON} = R_{ON(max)} - R_{ON(min)}$ . On-resistance match between channels and on-resistance flatness are guaranteed only with specified voltages. Flatness is defined as the difference between the maximum and minimum value of on-resistance as measured over the specified analog signal range.

**Note 3:** Leakage parameters are 100% tested at maximum rated hot temperature and guaranteed by correlation at room temp.

**Note 4:** Guaranteed by design.

**Note 5:** Leakage testing at single supply is guaranteed by testing with dual supplies.

**Note 6:** See Figure 6. Off-isolation =  $20\log_{10} V_{COM}/V_{NO}$ . V<sub>COM</sub> = output. NO = input to off switch.

**Note 7:** Between any two switches. See Figure 3.

# Serially Controlled, Low-Voltage, 8-Channel/Dual 4-Channel Multiplexers

MAX349/MAX350

## ELECTRICAL CHARACTERISTICS—Single +5V Supply

(V+ = +4.5V to +5.5V, V- = 0V, TA = TMIN to TMAX, unless otherwise noted. Typical values are at TA = +25°C.)

PARAMETER	SYMBOL	CONDITIONS		MIN	TYP (Note 1)	MAX	UNITS			
<b>ANALOG SWITCH</b>										
Analog Signal Range	VCOM, VNO		C, E, M	V-		V+	V			
COM-NO On-Resistance	RON	V+ = 5V, VCOM = 3.5V, INO = 1mA	TA = +25°C C, E, M		125	175	Ω			
NO Off-Leakage Current (Notes 4, 5)	INO(OFF)	V+ = 5.5V, VCOM = 4.5V, VNO = 0V	TA = +25°C	-0.1	0.002	0.1	nA			
			C, E	-5		5				
			M	-10		10				
		V+ = 5.5V, VCOM = 0V, VNO = 4.5V	TA = +25°C	-0.1	0.002	0.1				
			C, E	-5		5				
			M	-10		10				
COM Off-Leakage Current (Notes 4, 5)	ICOM(OFF)	V+ = 5.5V, VCOM = 4.5V, VNO = 0V	MAX349	TA = +25°C	-0.1	0.002	0.1	nA		
				C, E	-10		10			
				M	-100		100			
			MAX350	TA = +25°C	-0.1	0.002	0.1			
				C, E	-5		5			
				M	-50		50			
		V+ = 5.5V, VCOM = 0V, VNO = 4.5V	MAX349	TA = +25°C	-0.2	0.002	0.2			
				C, E	-10		10			
				M	-100		100			
			MAX350	TA = +25°C	-0.2	0.002	0.2			
				C, E	-5		5			
				M	-50		50			
COM On-Leakage Current (Notes 4, 5)	ICOM(ON)	V+ = 5.5V, VCOM = VNO = ±4.5V	MAX349	TA = +25°C	-0.2	0.01	0.2	nA		
				C, E	-10		10			
				M	-100		100			
			MAX350	TA = +25°C	-0.2	0.02	0.2			
				C, E	-5		5			
				M	-50		50			
		<b>DIGITAL I/O</b>								
		DIN, SCLK, CS, RESET Input Voltage Logic Threshold High	VIH		C, E, M	2.4				V
DIN, SCLK, CS, RESET Input Voltage Logic Threshold Low	VIL		C, E, M			0.8	V			
DIN, SCLK, CS, RESET Input Current Logic High or Low	I <sub>IH</sub> , I <sub>IL</sub>	V <sub>DIN</sub> , V <sub>SCLK</sub> , V <sub>CS</sub> = 0.8V or 2.4V	C, E, M	-1	0.03	1	μA			
DOUT Output Voltage Logic High	V <sub>DOUT</sub>	I <sub>DOUT</sub> = 0.8mA	C, E, M	2.8		V+	V			
DOUT Output Voltage Logic Low	V <sub>DOUT</sub>	I <sub>DOUT</sub> = -1.6mA	C, E, M	0		0.4	V			
SCLK Input Hysteresis	SCLKHYST		C, E, M		100		mV			
<b>POWER SUPPLY</b>										
V+ Supply Current	I+	DIN = CS = SCLK = 0V or V+, RESET = 0V or V+	TA = +25°C C, E, M		7	20	μA			
						30				

# Serially Controlled, Low-Voltage, 8-Channel/Dual 4-Channel Multiplexers

## ELECTRICAL CHARACTERISTICS—Single +5V Supply (continued)

(V+ = +4.5V to +5.5V, V- = 0V, T<sub>A</sub> = T<sub>MIN</sub> to T<sub>MAX</sub>, unless otherwise noted. Typical values are at T<sub>A</sub> = +25°C.)

PARAMETER	SYMBOL	CONDITIONS	MIN	TYP (Note 1)	MAX	UNITS
<b>SWITCH DYNAMIC CHARACTERISTICS</b>						
Turn-On Time	t <sub>ON</sub>	From rising edge of $\overline{CS}$	T <sub>A</sub> = +25°C	160	400	ns
			C, E, M		500	
Turn-Off Time	t <sub>OFF</sub>	From rising edge of $\overline{CS}$	T <sub>A</sub> = +25°C	60	200	ns
			C, E, M		300	
Break-Before-Make Delay	t <sub>BBM</sub>	From rising edge of $\overline{CS}$	T <sub>A</sub> = +25°C	15		ns
Charge Injection (Note 4)	V <sub>CTE</sub>	C <sub>L</sub> = 1nF, V <sub>NO</sub> = 0V, R <sub>S</sub> = 0Ω	T <sub>A</sub> = +25°C	1	10	pC
Off-Isolation (Note 6)	V <sub>ISO</sub>	R <sub>L</sub> = 50Ω, C <sub>L</sub> = 15pF, V <sub>NO</sub> = 1V <sub>RMS</sub> , f = 100kHz	T <sub>A</sub> = +25°C	> 90		dB
Channel-to-Channel Crosstalk (Note 7)	V <sub>CT</sub>	R <sub>L</sub> = 50Ω, C <sub>L</sub> = 15pF, V <sub>NO</sub> = 1V <sub>RMS</sub> , f = 100kHz	T <sub>A</sub> = +25°C	< -90		dB

# Serially Controlled, Low-Voltage, 8-Channel/Dual 4-Channel Multiplexers

MAX349/MAX350

## TIMING CHARACTERISTICS—Single +5V Supply (Figure 1)

(V+ = +4.5V to +5.5V, V- = 0V, T<sub>A</sub> = T<sub>MIN</sub> to T<sub>MAX</sub>, unless otherwise noted. Typical values are at T<sub>A</sub> = +25°C.)

PARAMETER	SYMBOL	CONDITIONS	MIN	TYP (Note 1)	MAX	UNITS
<b>SERIAL DIGITAL INTERFACE</b>						
SCLK Frequency	f <sub>SCLK</sub>	C, E, M	0		2.1	MHz
Cycle Time (Note 4)	t <sub>CH</sub> + t <sub>CL</sub>	C, E, M	480			ns
$\overline{\text{CS}}$ Lead Time (Note 4)	t <sub>CSS</sub>	C, E, M	240			ns
$\overline{\text{CS}}$ Lag Time (Note 4)	t <sub>CSH2</sub>	C, E, M	240			ns
SCLK High Time (Note 4)	t <sub>CH</sub>	C, E, M	190			ns
SCLK Low Time (Note 4)	t <sub>CL</sub>	C, E, M	190			ns
Minimum Data Setup Time (Note 4)	t <sub>DS</sub>	C, E, M		17	100	ns
Data Hold Time (Note 4)	t <sub>DH</sub>	C, E, M		-17		ns
DIN Data Valid after Falling SCLK (Note 4)	t <sub>DO</sub>	50% of SCLK to 10% of DOUT, C <sub>L</sub> = 10pF		85		ns
		T <sub>A</sub> = +25°C			400	
Rise Time of DOUT (Note 4)	t <sub>DR</sub>	20% of V+ to 70% of V+, C <sub>L</sub> = 10pF			100	ns
Allowable Rise Time at DIN, SCLK (Note 4)	t <sub>SCR</sub>	20% of V+ to 70% of V+, C <sub>L</sub> = 10pF			2	μs
Fall Time of DOUT (Note 4)	t <sub>DF</sub>	20% of V+ to 70% of V+, C <sub>L</sub> = 10pF			100	ns
Allowable Fall Time at DIN, SCLK (Note 4)	t <sub>SCF</sub>	20% of V+ to 70% of V+, C <sub>L</sub> = 10pF			2	μs
$\overline{\text{RESET}}$ Minimum Pulse Width	t <sub>RW</sub>	T <sub>A</sub> = +25°C		70		ns

**Note 1:** The algebraic convention is used in this data sheet; the most negative value is shown in the minimum column.

**Note 2:**  $\Delta R_{ON} = R_{ON(max)} - R_{ON(min)}$ . On-resistance match between channels and on-resistance flatness are guaranteed only with specified voltages. Flatness is defined as the difference between the maximum and minimum value of on-resistance as measured over the specified analog signal range.

**Note 3:** Leakage parameters are 100% tested at maximum rated hot temperature and guaranteed by correlation at room temp.

**Note 4:** Guaranteed by design.

**Note 5:** Leakage testing at single supply is guaranteed by testing with dual supplies.

**Note 6:** See Figure 6. Off-isolation =  $20 \log_{10} V_{COM}/V_{NO}$ . V<sub>COM</sub> = output. NO = input to off switch.

**Note 7:** Between any two switches. See Figure 3.

# Serially Controlled, Low-Voltage, 8-Channel/Dual 4-Channel Multiplexers

## ELECTRICAL CHARACTERISTICS—Single +3V Supply

(V+ = +3.0V to +3.6V, V- = 0V, T<sub>A</sub> = T<sub>MIN</sub> to T<sub>MAX</sub>, unless otherwise noted. Typical values are at T<sub>A</sub> = +25°C.)

PARAMETER	SYMBOL	CONDITIONS		MIN	TYP (Note 1)	MAX	UNITS	
<b>ANALOG SWITCH</b>								
Analog Signal Range	V <sub>COM</sub> , V <sub>NO</sub>		C, E, M	V-		V+	V	
COM-NO On-Resistance	R <sub>ON</sub>	V+ = 3.0V, V <sub>COM</sub> = 1.5V, I <sub>NO</sub> = 1mA	T <sub>A</sub> = +25°C C, E, M		270	500	Ω	
COM Off-Leakage Current (Notes 4, 5)	I <sub>COM(OFF)</sub>	V+ = 3.6V, V <sub>COM</sub> = 3V, V <sub>NO</sub> = 0V	MAX349	T <sub>A</sub> = +25°C	-0.1	0.002	0.1	nA
				C, E	-10		10	
				M	-100		100	
			MAX350	T <sub>A</sub> = +25°C	-0.1	0.002	0.1	
				C, E	-5		5	
				M	-50		50	
		V+ = 3.6V, V <sub>COM</sub> = 0V, V <sub>NO</sub> = 3V	MAX349	T <sub>A</sub> = +25°C	-0.2	0.002	0.2	
				C, E	-10		10	
				M	-100		100	
			MAX350	T <sub>A</sub> = +25°C	-0.2	0.002	0.2	
				C, E	-5		5	
				M	-50		50	
COM On-Leakage Current (Notes 4, 5)	I <sub>COM(ON)</sub>	V+ = 3.6V, V <sub>COM</sub> = V <sub>NO</sub> = 3V	MAX349	T <sub>A</sub> = +25°C	-0.2	0.01	0.2	nA
				C, E	-10		10	
				M	-100		100	
			MAX350	T <sub>A</sub> = +25°C	-0.2	0.02	0.2	
				C, E	-5		5	
				M	-50		50	
<b>DIGITAL I/O</b>								
DIN, SCLK, $\overline{\text{CS}}$ , $\overline{\text{RESET}}$ Input Voltage Logic Threshold High	V <sub>IH</sub>		C, E	2.4			V	
DIN, SCLK, $\overline{\text{CS}}$ , $\overline{\text{RESET}}$ Input Voltage Logic Threshold Low	V <sub>IL</sub>		C, E			0.8	V	
DIN, SCLK, $\overline{\text{CS}}$ , $\overline{\text{RESET}}$ Input Current Logic High or Low	I <sub>IH</sub> , I <sub>IL</sub>	V <sub>DIN</sub> , V <sub>SCLK</sub> , V $\overline{\text{CS}}$ = 0.8V or 2.4V	C, E	-1	0.03	1	μA	
DOUT Output Voltage Logic High	V <sub>DOUT</sub>	I <sub>DOUT</sub> = 0.1mA	C, E, M	2.8		V+	V	
DOUT Output Voltage Logic Low	V <sub>DOUT</sub>	I <sub>DOUT</sub> = -1.6mA	C, E, M	0		0.4	V	
SCLK Input Hysteresis	SCLKHYST		C, E, M		100		mV	
<b>POWER SUPPLY</b>								
V+ Supply Current	I+	DIN = $\overline{\text{CS}}$ = SCLK = 0V or V+, $\overline{\text{RESET}}$ = 0V or 5V	T <sub>A</sub> = +25°C C, E, M		6	20	μA	
						30		



# Serially Controlled, Low-Voltage, 8-Channel/Dual 4-Channel Multiplexers

MAX349/MAX350

MAX349/MAX350

## ELECTRICAL CHARACTERISTICS—Single +3V Supply (continued)

(V+ = +3.0V to +3.6V, V- = 0V, T<sub>A</sub> = T<sub>MIN</sub> to T<sub>MAX</sub>, unless otherwise noted. Typical values are at T<sub>A</sub> = +25°C.)

PARAMETER	SYMBOL	CONDITIONS	MIN	TYP (Note 1)	MAX	UNITS
<b>SWITCH DYNAMIC CHARACTERISTICS</b>						
Turn-On Time (Note 4)	t <sub>ON</sub>	From rising edge of $\overline{CS}$	T <sub>A</sub> = +25°C	275	600	ns
			C, E, M		700	
Turn-Off Time (Note 4)	t <sub>OFF</sub>	From rising edge of $\overline{CS}$	T <sub>A</sub> = +25°C	120	300	ns
			C, E, M		400	
Break-Before-Make Delay (Note 4)	t <sub>BBM</sub>	From rising edge of $\overline{CS}$	T <sub>A</sub> = +25°C	5	15	ns
Charge Injection (Note 4)	V <sub>CTE</sub>	C <sub>L</sub> = 1nF, V <sub>NO</sub> = 0V, R <sub>S</sub> = 0Ω	T <sub>A</sub> = +25°C	1	10	pC
Off-Isolation (Note 6)	V <sub>ISO</sub>	R <sub>L</sub> = 50Ω, C <sub>L</sub> = 15pF, V <sub>NO</sub> = 1V <sub>RMS</sub> , f = 100kHz	T <sub>A</sub> = +25°C	> 90		dB
Channel-to-Channel Crosstalk (Note 7)	V <sub>CT</sub>	R <sub>L</sub> = 50Ω, C <sub>L</sub> = 15pF, V <sub>NO</sub> = 1V <sub>RMS</sub> , f = 100kHz	T <sub>A</sub> = +25°C	< -90		dB

# Serially Controlled, Low-Voltage, 8-Channel/Dual 4-Channel Multiplexers

## TIMING CHARACTERISTICS—Single +3V Supply (Figure 1)

(V+ = +3.0V to +3.6V, V- = 0V, T<sub>A</sub> = T<sub>MIN</sub> to T<sub>MAX</sub>, unless otherwise noted. Typical values are at T<sub>A</sub> = +25°C.)

PARAMETER	SYMBOL	CONDITIONS	MIN	TYP (Note 1)	MAX	UNITS
<b>SERIAL DIGITAL INTERFACE</b>						
SCLK Frequency	f <sub>SCLK</sub>	C, E, M	0		2.1	MHz
Cycle Time (Note 4)	t <sub>CH</sub> + t <sub>CL</sub>	C, E, M	480			ns
$\overline{\text{CS}}$ Lead Time (Note 4)	t <sub>CSS</sub>	C, E, M	240			ns
$\overline{\text{CS}}$ Lag Time (Note 4)	t <sub>CSS2</sub>	C, E, M	240			ns
SCLK High Time (Note 4)	t <sub>CH</sub>	C, E, M	190			ns
SCLK Low Time (Note 4)	t <sub>CL</sub>	C, E, M	190			ns
Minimum Data Setup Time (Note 4)	t <sub>DS</sub>	C, E, M		38	120	ns
Data Hold Time (Note 4)	t <sub>DH</sub>	C, E, M		-38		ns
DIN Data Valid after Falling SCLK (Note 4)	t <sub>DO</sub>	50% of SCLK to 10% of DOUT, C <sub>L</sub> = 10pF	T <sub>A</sub> = +25°C		150	ns
			C, E, M		400	
Rise Time of DOUT (Note 4)	t <sub>DR</sub>	20% of V+ to 70% of V+, C <sub>L</sub> = 10pF	C, E, M		100	ns
Allowable Rise Time at DIN, SCLK (Note 4)	t <sub>SCR</sub>	20% of V+ to 70% of V+, C <sub>L</sub> = 10pF	C, E, M		2	μs
Fall Time of DOUT (Note 4)	t <sub>DF</sub>	20% of V+ to 70% of V+, C <sub>L</sub> = 10pF	C, E, M		100	ns
Allowable Fall Time at DIN, SCLK (Note 4)	t <sub>SCF</sub>	20% of V+ to 70% of V+, C <sub>L</sub> = 10pF	C, E, M		2	μs
$\overline{\text{RESET}}$ Minimum Pulse Width (Note 4)	t <sub>RW</sub>		T <sub>A</sub> = +25°C		105	ns

**Note 1:** The algebraic convention is used in this data sheet; the most negative value is shown in the minimum column.

**Note 2:**  $\Delta\text{RON} = \text{RON}(\text{max}) - \text{RON}(\text{min})$ . On-resistance match between channels and on-resistance flatness are guaranteed only with specified voltages. Flatness is defined as the difference between the maximum and minimum value of on-resistance as measured over the specified analog signal range.

**Note 3:** Leakage parameters are 100% tested at maximum rated hot temperature and guaranteed by correlation at room temp.

**Note 4:** Guaranteed by design.

**Note 5:** Leakage testing at single supply is guaranteed by testing with dual supplies.

**Note 6:** See Figure 6. Off-isolation =  $20\log_{10} V_{\text{COM}}/V_{\text{NO}}$ . V<sub>COM</sub> = output. NO = input to off switch.

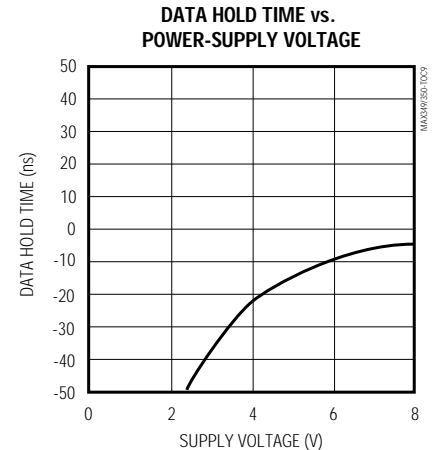
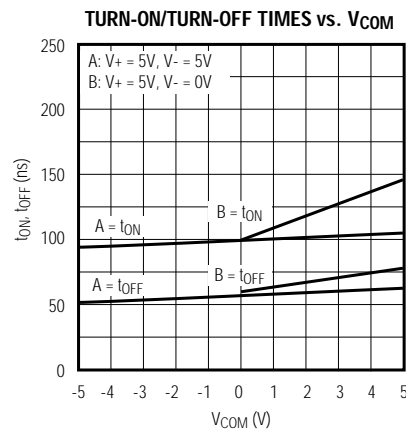
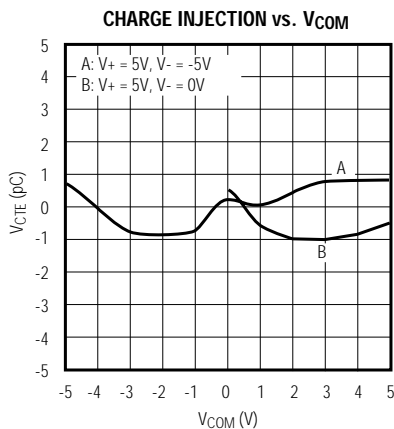
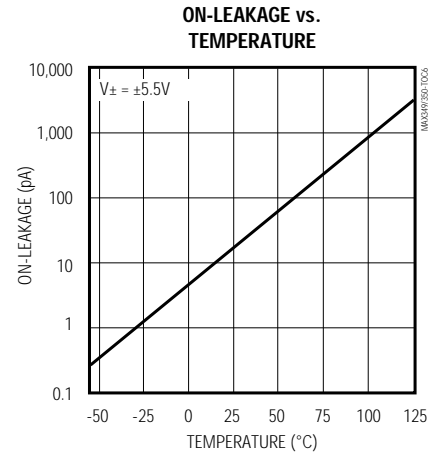
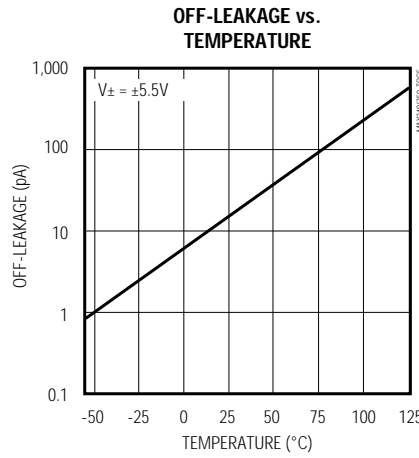
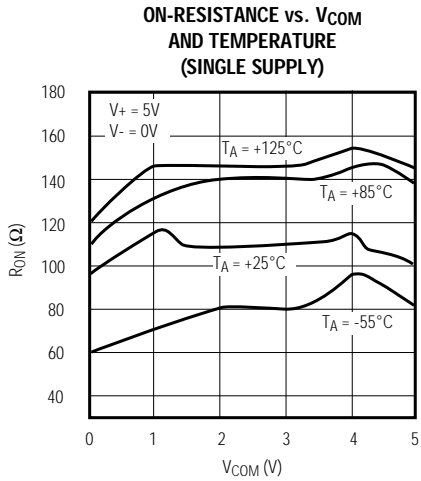
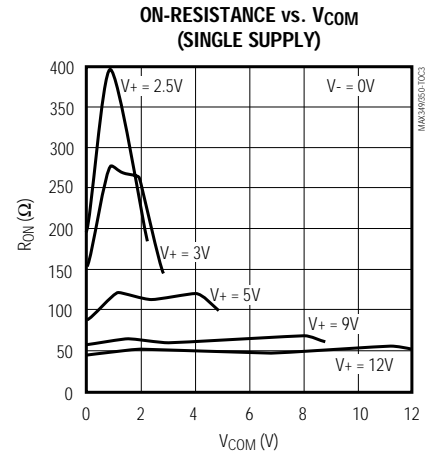
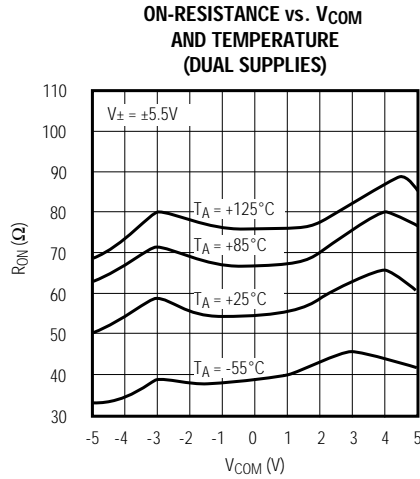
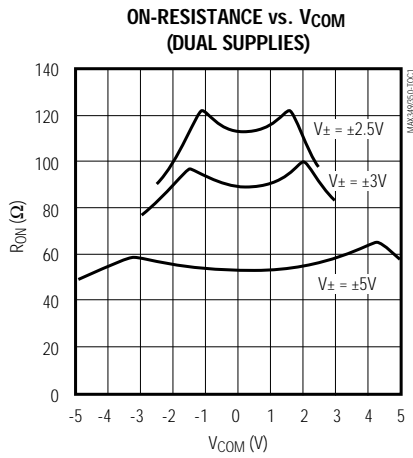
**Note 7:** Between any two switches. See Figure 3.

# Serially Controlled, Low-Voltage, 8-Channel/Dual 4-Channel Multiplexers

## Typical Operating Characteristics

( $V_+ = +5V$ ,  $V_- = -5V$ ,  $GND = 0V$ ,  $T_A = +25^\circ C$ , unless otherwise noted.)

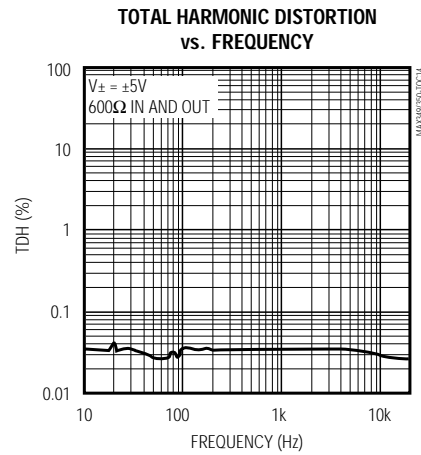
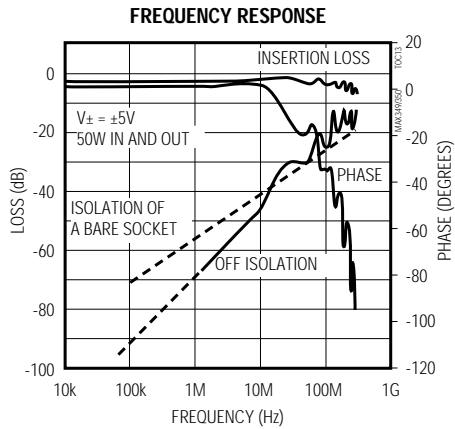
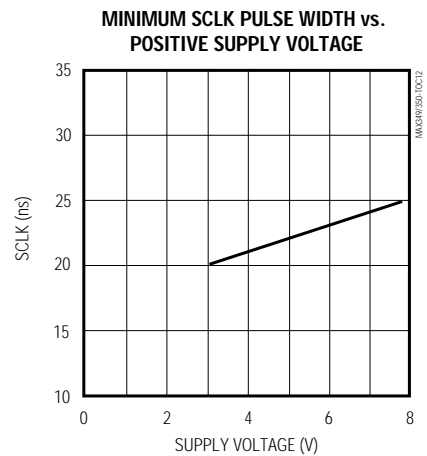
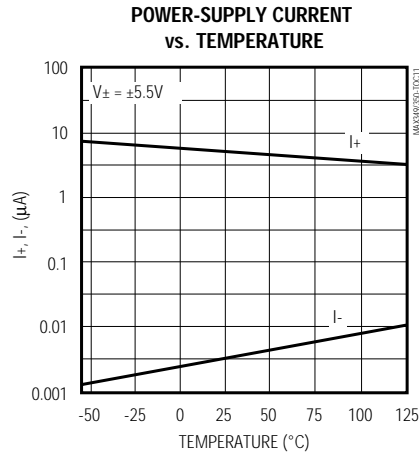
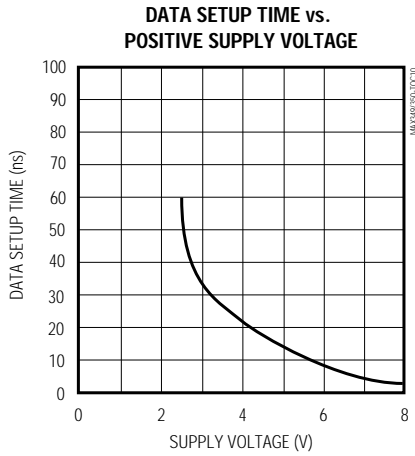
MAX349/MAX350



# Serially Controlled, Low-Voltage, 8-Channel/Dual 4-Channel Multiplexers

## Typical Operating Characteristics (continued)

( $V_+ = +5V$ ,  $V_- = -5V$ , GND = 0V,  $T_A = +25^\circ C$ , unless otherwise noted.)



# Serially Controlled, Low-Voltage, 8-Channel/Dual 4-Channel Multiplexers

## Pin Description

MAX349/MAX350

PIN				NAME	FUNCTION
MAX349		MAX350			
DIP/SO	SSOP	DIP/SO	SSOP		
1	1	1	1	SCLK	Serial Clock Digital Input
2	2	2	2	V+	Positive Analog Supply Voltage Input
3	3	3	3	DIN	Serial Data Digital Input
4	4	4	4	GND	Ground. Connect to digital ground. (Analog signals have no ground reference; they are limited to V+ and V-.)
5	5	—	—	COM	Common Analog Switch (mux output)
6–13	6–9, 11–14	—	—	NO0–NO7	Normally Open Analog Switch Inputs 0–7
—	—	5	5	COMA	Common Analog Switch “A” (mux output)
—	—	6–9	6–9	NO0A–NO3A	Normally Open Analog Switch “A” Inputs 0–3
—	—	10–13	11–14	NO3B–NO0B	Normally Open Analog Switch “B” Inputs 0–3
—	—	14	15	COMB	Common Analog Switch “B” (mux output)
14	10, 15, 16	—	10, 16	N.C.	No Connect, not internally connected.
15	17	15	17	V-	Negative Analog Supply Voltage Input. Connect to GND for single-supply operation.
16	18	16	18	DOUT	Serial Data Digital Output. Output high is V+.
17	19	17	19	$\overline{\text{RESET}}$	RESET Input. Connect to logic high (or V+) for normal operation. Drive low to set all switches off and set internal shift registers to 0.
18	20	18	20	$\overline{\text{CS}}$	Chip-Select Digital Input (Figure 1)

**Note:** NO and COM pins are identical and interchangeable. Either may be considered as an input or an output; signals pass equally well in either direction.

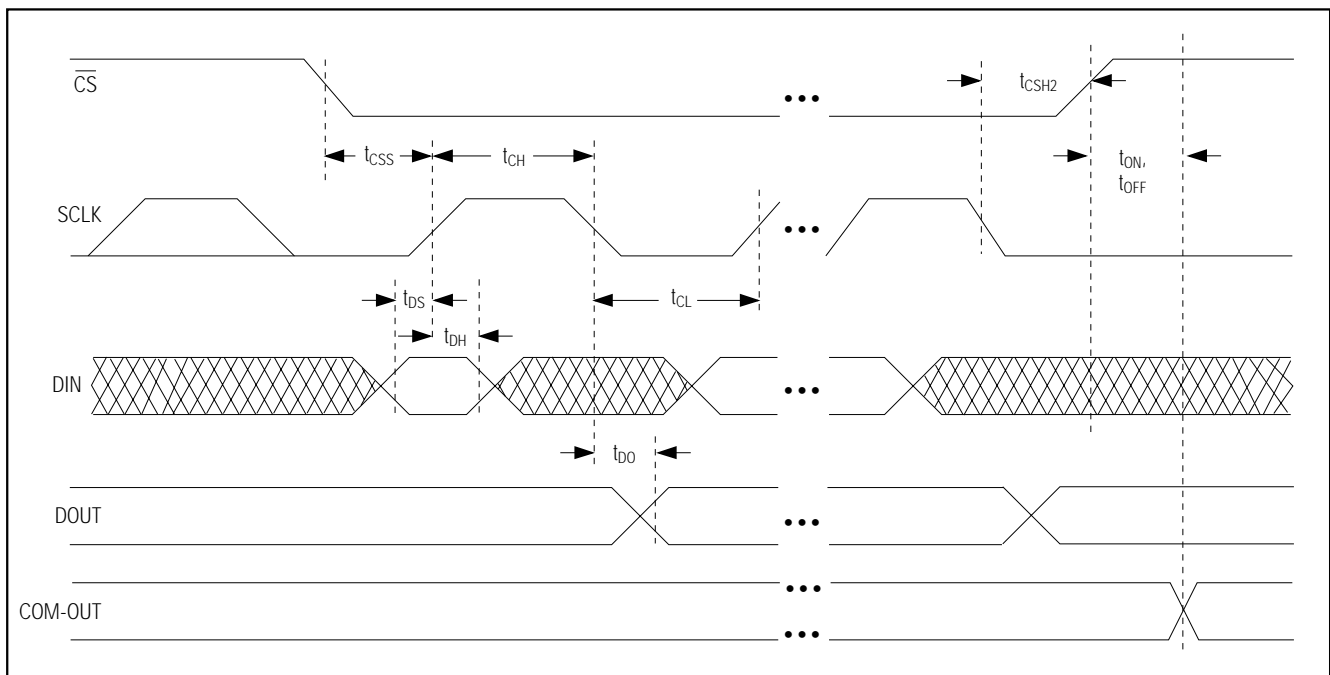


Figure 1. Timing Diagram

# Serially Controlled, Low-Voltage, 8-Channel/Dual 4-Channel Multiplexers

## Detailed Description

### Basic Operation

The MAX349/MAX350 are 8-channel and dual 4-channel, serially controlled multiplexers (muxes). These muxes are unusual in that any, all, or none of the input channels can be directed to the output. All switches are bidirectional, so inputs and outputs are interchangeable. When multiple inputs are connected to an output, they are also connected to one another, separated from each other only by the on-resistance of two switches. Both parts require eight bits of serial data to set all eight switches.

### Serial Digital Interface

The MAX349/MAX350 interface can be thought of as an 8-bit shift register controlled by  $\overline{CS}$  (Figure 2). While  $\overline{CS}$  is low, input data appearing at DIN is clocked into the shift register synchronously with SCLK's rising edge. The input is an 8-bit word, each bit controlling one of the eight switches (Tables 1 and 2). DOUT is the output of the shift register, with data appearing synchronously with SCLK's falling edge. Data at DOUT is simply the input data delayed by eight clock cycles.

When shifting the input data, D7 is the first bit in and out of the shift register. While shifting data, the switches remain in their previous configuration. When the eight bits of data have been shifted in,  $\overline{CS}$  is driven high. This updates the new switch configuration and inhibits further data from entering the shift register. Transitions at DIN and SCLK have no effect when  $\overline{CS}$  is high, and DOUT holds the first input bit (D7) at its output.

More or fewer than eight clock cycles can be entered during the  $\overline{CS}$  low period. When this happens, the shift register contains only the last eight serial data bits, regardless of when they were entered. On the rising edge of  $\overline{CS}$ , all switches are set to the corresponding states.

The MAX349/MAX350 three-wire serial interface is compatible with SPI, QSPI, and MICROWIRE standards. If interfacing with a Motorola processor serial interface, set CPOL = 0. The MAX349/MAX350 are considered to be slave devices (Figures 2 and 3). At power-up, the shift register contains all zeros, and all switches are off.

The latch that drives the analog switch is updated on the rising edge of  $\overline{CS}$ , regardless of SCLK's state. This meets all SPI and QSPI requirements.

### Daisy-Chaining

For a simple interface using several MAX349s and MAX350s, "daisy-chain" the shift registers as shown in Figure 5. The  $\overline{CS}$  pins of all devices are connected,

and a stream of data is shifted through the MAX349s or MAX350s in series. When  $\overline{CS}$  is brought high, all switches are updated simultaneously. Additional shift registers may be included anywhere in series with the MAX349/MAX350 data chain. Note that the DOUT high level is  $V+$ , which may not be compatible with TTL/CMOS devices if  $V+$  differs from the logic supply for these other devices.

### Addressable Serial Interface

When several serial devices are configured as slaves, addressable by the processor, DIN pins of each decode logic individually control  $\overline{CS}$  of each slave device. When a slave is selected, its  $\overline{CS}$  pin is driven low, data is shifted in, and  $\overline{CS}$  is driven high to latch the data. Typically, only one slave is addressed at a time. DOUT is not used.

## Applications Information

### 8x1 Multiplexer

The MAX349 can be programmed normally, with only one channel selected for every eight clock pulses, or it can be programmed in a fast mode, where channel changing occurs on each clock pulse.

In fast mode, select the channels by sending a single high pulse (corresponding to the selected channel) at DIN, and a corresponding  $\overline{CS}$  low pulse for every eight clock pulses. As SCLK clocks this through the register, each switch sequences one channel at a time, starting with channel 0.

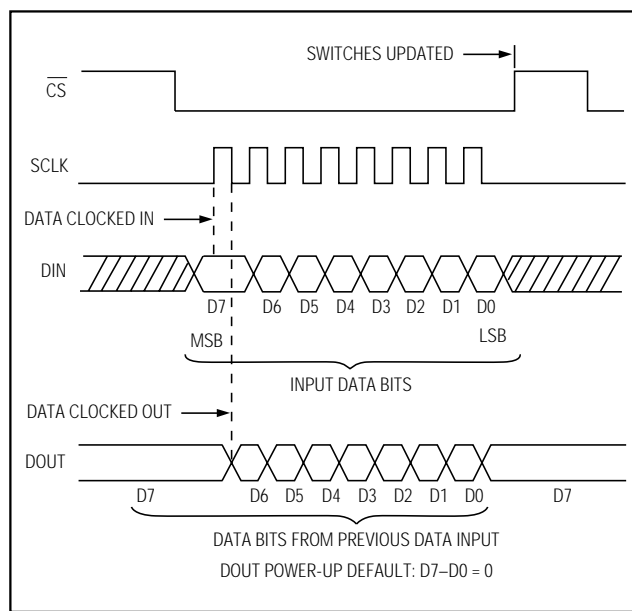


Figure 2. 3-Wire Interface Timing

# Serially Controlled, Low-Voltage, 8-Channel/Dual 4-Channel Multiplexers

**Table 1. MAX349 Serial-Interface Switch Programming**

RESET	DATA BITS								MAX349 FUNCTION
	D7	D6	D5	D4	D3	D2	D1	D0	
0	X	X	X	X	X	X	X	X	All switches open, D7-D0 = 0
1	0	0	0	0	0	0	0	0	All switches open, D7-D0 = 0
1	1	1	1	1	1	1	1	1	All switches closed to COM, D7-D0 = 1
1	0	X	X	X	X	X	X	X	Switch 7 open (off)
1	1	X	X	X	X	X	X	X	Switch 7 closed to COM
1	X	0	X	X	X	X	X	X	Switch 6 open (off)
1	X	1	X	X	X	X	X	X	Switch 6 closed to COM
1	X	X	0	X	X	X	X	X	Switch 5 open (off)
1	X	X	1	X	X	X	X	X	Switch 5 closed to COM
1	X	X	X	0	X	X	X	X	Switch 4 open (off)
1	X	X	X	1	X	X	X	X	Switch 4 closed to COM
1	X	X	X	X	0	X	X	X	Switch 3 open (off)
1	X	X	X	X	1	X	X	X	Switch 3 closed to COM
1	X	X	X	X	X	0	X	X	Switch 2 open (off)
1	X	X	X	X	X	1	X	X	Switch 2 closed to COM
1	X	X	X	X	X	X	0	X	Switch 1 open (off)
1	X	X	X	X	X	X	1	X	Switch 1 closed to COM
1	X	X	X	X	X	X	X	0	Switch 0 open (off)
1	X	X	X	X	X	X	X	1	Switch 0 closed to COM

**Table 2. MAX350 Serial-Interface Switch Programming**

RESET	DATA BITS								MAX350 FUNCTION
	D7	D6	D5	D4	D3	D2	D1	D0	
0	X	X	X	X	X	X	X	X	All switches open, D7-D0 = 0
1	0	0	0	0	0	0	0	0	All switches open, D7-D0 = 0
1	1	1	1	1	1	1	1	1	All "A" switches closed to COMA; All "B" switches closed to COMB, D7-D0 = 1
1	0	X	X	X	X	X	X	X	Switch NO0B open (off)
1	1	X	X	X	X	X	X	X	Switch NO0B closed
1	X	0	X	X	X	X	X	X	Switch NO1B open (off)
1	X	1	X	X	X	X	X	X	Switch NO1B closed
1	X	X	0	X	X	X	X	X	Switch NO2B open (off)
1	X	X	1	X	X	X	X	X	Switch NO2B closed
1	X	X	X	0	X	X	X	X	Switch NO3B open (off)
1	X	X	X	1	X	X	X	X	Switch NO3B closed
1	X	X	X	X	0	X	X	X	Switch NO3A open (off)
1	X	X	X	X	1	X	X	X	Switch NO3A closed
1	X	X	X	X	X	0	X	X	Switch NO2A open (off)
1	X	X	X	X	X	1	X	X	Switch NO2A closed
1	X	X	X	X	X	X	0	X	Switch NO1A open (off)
1	X	X	X	X	X	X	1	X	Switch NO1A closed
1	X	X	X	X	X	X	X	0	Switch NO0A open (off)
1	X	X	X	X	X	X	X	1	Switch NO0A closed

X = Don't care. Data bit D7 is first bit in; data bit D0 is last in.

# Serially Controlled, Low-Voltage, 8-Channel/Dual 4-Channel Multiplexers

## Dual, Differential 4-Channel Multiplexer

The MAX350 can be programmed normally, with only one differential channel selected for every eight clock pulses, or it can be programmed in a fast mode, where channel changing occurs on each clock pulse.

In fast mode, select the channels by sending two high pulses, spaced four clock pulses apart (corresponding to the two selected channels) at DIN, and a corresponding  $\overline{CS}$  low pulse for each of the first eight clock pulses. As SCLK clocks this through the register, each switch sequences one differential channel at a time, starting with channel 0. Repeat this process for subse-

quent channel sequencing after the first eight bits have been sent. For even faster channel sequencing, send only one DIN high pulse and one  $\overline{CS}$  low pulse for every four clock pulses.

## Reset Function

$\overline{RESET}$  is the internal reset pin. It is usually connected to a logic signal or V+. Drive  $\overline{RESET}$  low to open all switches and set the contents of the internal shift register to zero simultaneously. When  $\overline{RESET}$  is high, the part functions normally and DOUT is sourced from V+.  $\overline{RESET}$  must not be driven beyond V+ or GND.

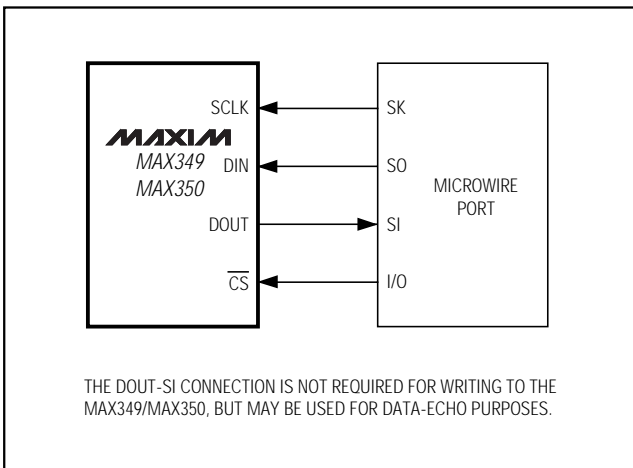


Figure 3. Connections for MICROWIRE

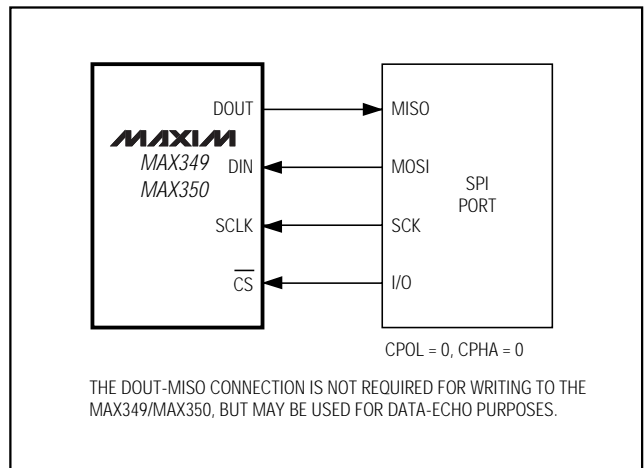


Figure 4. Connections for SPI and QSPI

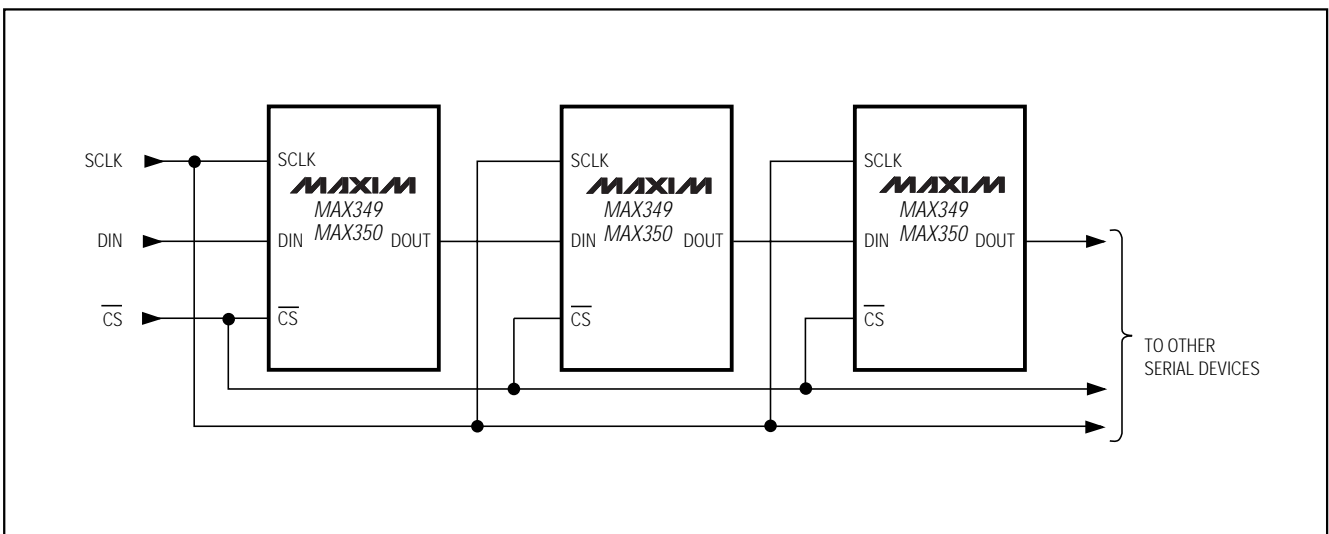


Figure 5. Daisy-Chain Connection



# Serially Controlled, Low-Voltage, 8-Channel/Dual 4-Channel Multiplexers

MAX349/MAX350

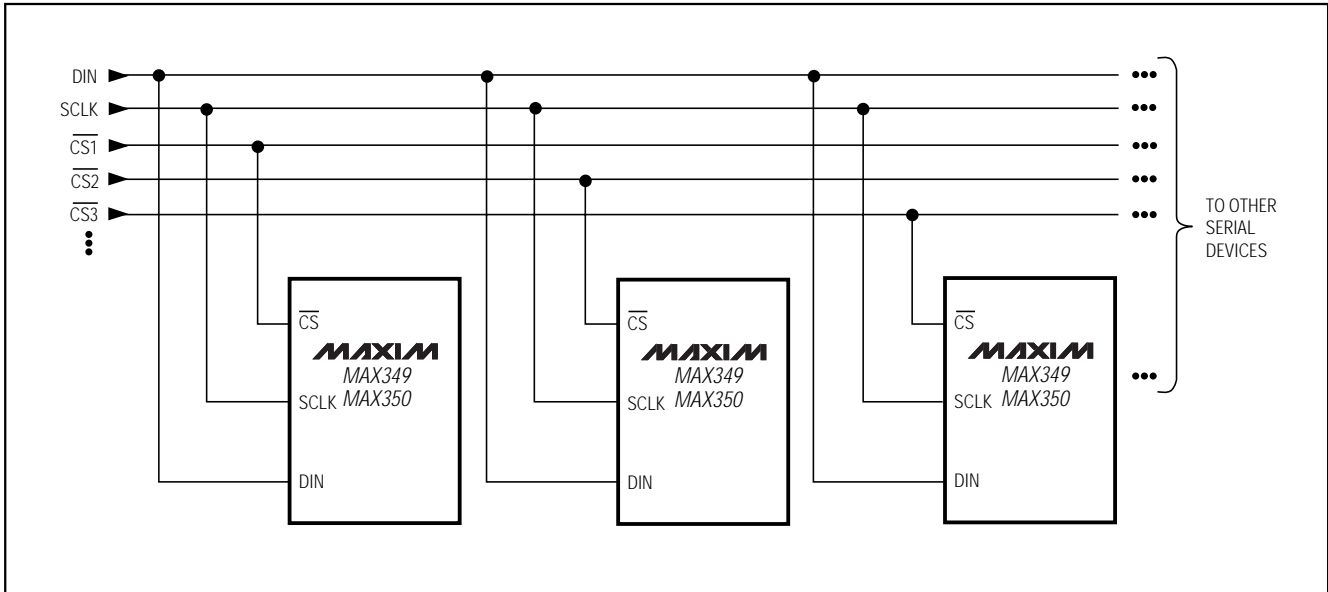


Figure 6. Addressable Serial Interface

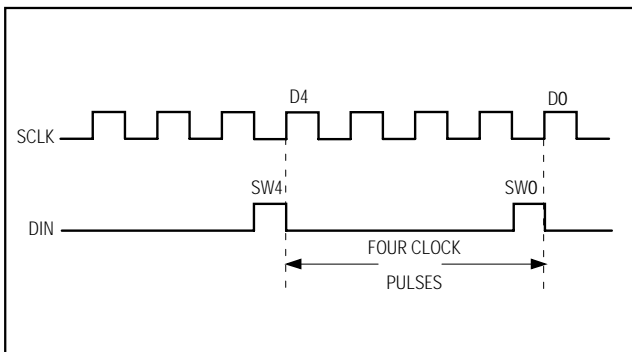


Figure 7. Differential Multiplexer Input Control

## Power-Supply Considerations

### Overview

The MAX349/MAX350 construction is typical of most CMOS analog switches. It has three supply pins: V+, V-, and GND. V+ and V- are used to drive the internal CMOS switches, and they set the limits of the analog voltage on any switch. Reverse ESD-protection diodes are internally connected between each analog signal pin and both V+ and V-. If any analog signal exceeds V+ or V-, one of these diodes will conduct. During normal operation, these (and other) reverse-biased ESD diodes leak, forming the only current drawn from V+ or V-.

Virtually all the analog leakage current is through the ESD diodes. Although the ESD diodes on a given signal pin are identical, and therefore fairly well balanced, they are reverse biased differently. Each is biased by either V+ or V- and the analog signal. This means their leakages vary as the signal varies. The *difference* in the two diode leakages to the V+ and V- pins constitutes the analog signal-path leakage current. All analog leakage current flows to the supply terminals, not to the other switch terminal. This is why both sides of a given switch can show leakage currents of either the same or opposite polarity.

There is no connection between the analog signal paths and GND.

V+ and GND power the internal logic and logic-level translators, and set both the input and output logic limits. The logic-level translators convert the logic levels to switched V+ and V- signals to drive the analog signal gates. This drive signal is the only connection between the logic supplies (and signals) and the analog supplies. V+ and V- have ESD-protection diodes to GND. The logic-level inputs and output have ESD protection to V+ and to GND.

The logic-level thresholds are CMOS and TTL compatible when V+ is +5V. As V+ rises, the threshold increases slightly. Therefore, when V+ reaches +12V, the threshold is about 3.1V; above the TTL-guaranteed high-level minimum of 2.8V, but still compatible with CMOS outputs.

# Serially Controlled, Low-Voltage, 8-Channel/Dual 4-Channel Multiplexers

### Bipolar Supplies

The MAX349/MAX350 operate with bipolar supplies from  $\pm 3.0V$  and  $\pm 8V$ . The  $V+$  and  $V-$  supplies need not be symmetrical, but their sum cannot exceed the absolute maximum rating of 17V. **Do not connect the MAX349/MAX350  $V+$  to +3V and connect the logic-level pins to TTL logic-level signals. This exceeds the absolute maximum ratings and can damage the part and/or external circuits.**

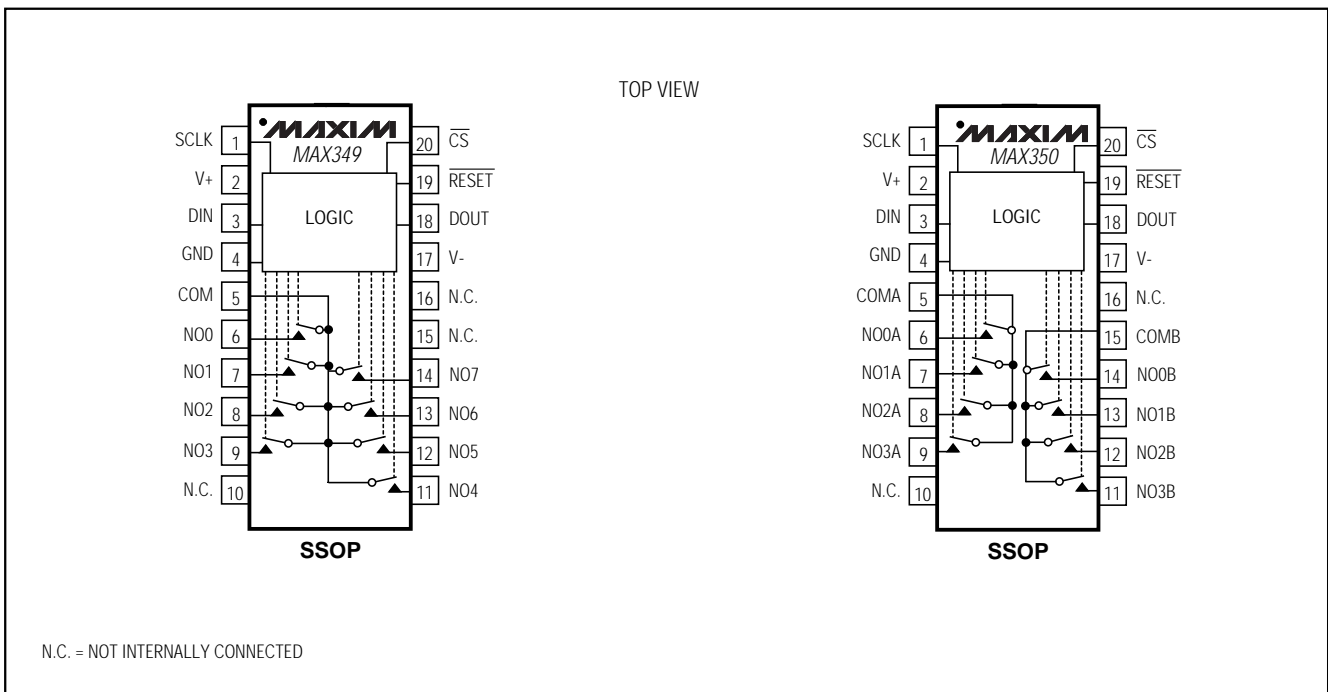
### Single Supply

The MAX349/MAX350 operate from single supplies between +3V and +16V when  $V-$  is connected to GND. All of the bipolar precautions must be observed.

### High-Frequency Performance

In  $50\Omega$  systems, signal response is reasonably flat up to 50MHz (see *Typical Operating Characteristics*). Above 20MHz, the on response has several minor peaks that are highly layout dependent. The problem is not turning the switch on, but turning it off. The off-state switch acts like a capacitor and passes higher frequencies with less attenuation. At 10MHz, off-isolation is about -45dB in  $50\Omega$  systems, becoming worse (approximately 20dB per decade) as frequency increases. Higher circuit impedances also make off-isolation worse. Adjacent channel attenuation is about 3dB above that of a bare IC socket, and is entirely due to capacitive coupling.

## Pin Configurations/Functional Diagrams (continued)



# Serially Controlled, Low-Voltage, 8-Channel/Dual 4-Channel Multiplexers

## Ordering Information (continued)

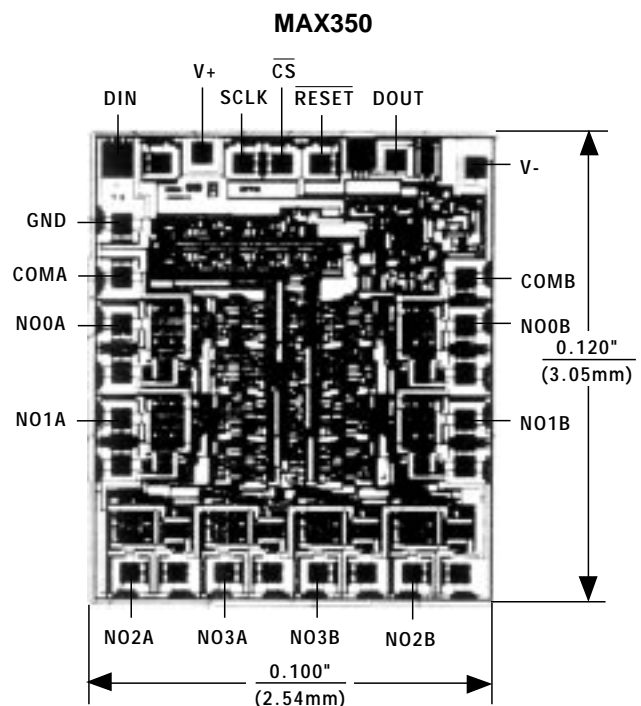
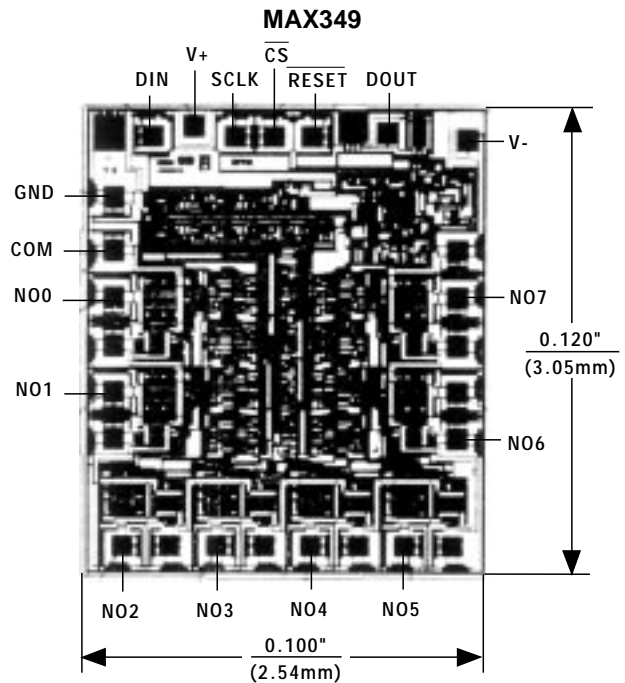
PART	TEMP. RANGE	PIN-PACKAGE
MAX349EPN	-40°C to +85°C	18 Plastic DIP
MAX349EWN	-40°C to +85°C	18 Wide SO
MAX349EAP	-40°C to +85°C	20 SSOP
MAX349MJN	-55°C to +125°C	18 CERDIP**
<b>MAX350</b> CPN	0°C to +70°C	18 Plastic DIP
MAX350CWN	0°C to +70°C	18 Wide SO
MAX350CAP	0°C to +70°C	20 SSOP
MAX350C/D	0°C to +70°C	Dice*
MAX350EPN	-40°C to +85°C	18 Plastic DIP
MAX350EWN	-40°C to +85°C	18 Wide SO
MAX350EAP	-40°C to +85°C	20 SSOP
MAX350MJN	-55°C to +125°C	18 CERDIP**

\* Contact factory for dice specifications.

\*\* Contact factory for availability.

## Chip Topographies

MAX349/MAX350



TRANSISTOR COUNT: 500  
SUBSTRATE CONNECTED TO V+.

# Serially Controlled, Low-Voltage, 8-Channel/Dual 4-Channel Multiplexers

## Package Information

DIM	INCHES		MILLIMETERS	
	MIN	MAX	MIN	MAX
A	0.068	0.078	1.73	1.99
A1	0.002	0.008	0.05	0.21
B	0.010	0.015	0.25	0.38
C	0.004	0.008	0.09	0.20
D	SEE VARIATIONS			
E	0.205	0.209	5.20	5.38
e	0.0256	BSC	0.65	BSC
H	0.301	0.311	7.65	7.90
L	0.025	0.037	0.63	0.95
$\alpha$	0°	8°	0°	8°

D	INCHES		MILLIMETERS	
	MIN	MAX	MIN	MAX
D	0.239	0.249	6.07	6.33
D	0.239	0.249	6.07	6.33
D	0.278	0.289	7.07	7.33
D	0.317	0.328	8.07	8.33
D	0.397	0.407	10.07	10.33

NOTES:  
 1. D&E DO NOT INCLUDE MOLD FLASH.  
 2. MOLD FLASH OR PROTRUSIONS NOT TO EXCEED .15mm (.006")  
 3. CONTROLLING DIMENSION: MILLIMETER

**MAXIM**  
 PROPRIETARY INFORMATION  
 TITLE: PACKAGE OUTLINE, SSOP, 5.3X.65mm  
 APPROVAL: DOCUMENT CONTROL NO. 21-0056 REV 1/1

DIM	INCHES		MILLIMETERS	
	MIN	MAX	MIN	MAX
A	0.093	0.104	2.35	2.65
A1	0.004	0.012	0.10	0.30
B	0.014	0.019	0.35	0.49
C	0.009	0.013	0.23	0.32
e	0.050		1.27	
E	0.291	0.299	7.40	7.60
H	0.394	0.419	10.00	10.65
h	0.010	0.030	0.25	0.75
L	0.016	0.050	0.40	1.27

D	INCHES		MILLIMETERS		N	MS013
	MIN	MAX	MIN	MAX		
D	0.398	0.413	10.10	10.50	16	AA
D	0.447	0.463	11.35	11.75	18	AB
D	0.496	0.512	12.60	13.00	20	AC
D	0.598	0.614	15.20	15.60	24	AD
D	0.697	0.713	17.70	18.10	28	AE

NOTES:  
 1. D&E DO NOT INCLUDE MOLD FLASH  
 2. MOLD FLASH OR PROTRUSIONS NOT TO EXCEED .15mm (.006")  
 3. LEADS TO BE COPLANAR WITHIN .102mm (.004")  
 4. CONTROLLING DIMENSION: MILLIMETER  
 5. MEETS JEDEC MS013-XX AS SHOWN IN ABOVE TABLE  
 6. N = NUMBER OF PINS

**MAXIM**  
 PROPRIETARY INFORMATION  
 TITLE: PACKAGE FAMILY OUTLINE: SOIC .300"  
 APPROVAL: DOCUMENT CONTROL NO. 21-0042 A REV 1/1

Maxim cannot assume responsibility for use of any circuitry other than circuitry entirely embodied in a Maxim product. No circuit patent licenses are implied. Maxim reserves the right to change the circuitry and specifications without notice at any time.

20 Maxim Integrated Products, 120 San Gabriel Drive, Sunnyvale, CA 94086 408-737-7600