

PLEASE CHECK WWW.MOLEX.COM FOR LATEST PART INFORMATION

Part Number: [5024940470](#)
Status: **Active**
Description: 2.00mm (.079") Pitch CLIK-Mate™ Wire-to-Board PCB Receptacle, Single Row, Right Angle, 4 Circuits

Documents:

[3D Model](#) [Product Specification PS-502443-001 \(PDF\)](#)
[Drawing \(PDF\)](#) [RoHS Certificate of Compliance \(PDF\)](#)

General

| | |
|----------------|------------------------|
| Product Family | PCB Receptacles |
| Series | 502494 |
| Application | Wire-to-Board |
| MolexKits | Yes |
| Product Name | CLIK-Mate™ |

Physical

| | |
|--------------------------------|-----------------------|
| Circuits (Loaded) | 4 |
| Circuits (maximum) | 4 |
| Durability (mating cycles max) | 30 |
| Glow-Wire Compliant | No |
| Guide to Mating Part | Yes |
| Keying to Mating Part | Yes |
| Lock to Mating Part | Yes |
| Mated Height (in) | 0.272 In |
| Mated Height (mm) | 6.90 mm |
| Material - Plating Mating | Tin |
| Material - Plating Termination | Tin |
| Number of Rows | 1 |
| Orientation | Right Angle |
| PCB Locator | No |
| PCB Retention | Yes |
| Packaging Type | Embossed Tape on Reel |
| Pitch - Mating Interface (in) | 0.079 In |
| Pitch - Mating Interface (mm) | 2.00 mm |
| Pitch - Term. Interface (in) | 0.079 In |
| Pitch - Term. Interface (mm) | 2.00 mm |
| Plating min: Mating (µin) | 80.000 |
| Plating min: Mating (µm) | 2.00 |
| Plating min: Termination (µin) | 40.000 |
| Plating min: Termination (µm) | 1.00 |
| Polarized to Mating Part | Yes |
| Polarized to PCB | Yes |
| Stackable | No |
| Surface Mount Compatible (SMC) | Yes |
| Temperature Range - Operating | -25°C to +85°C |
| Termination Interface: Style | Surface Mount |

Electrical

| | |
|-------------------------------|------------------|
| Current - Maximum per Contact | 3A |
| Voltage - Maximum | 250V AC (RMS)/DC |

Material Info

Reference - Drawing Numbers

| | |
|---------------------------|------------------------------|
| Application Specification | AS-502439-001, AS-502439-002 |
| Packaging Specification | SPK-502494-001 |

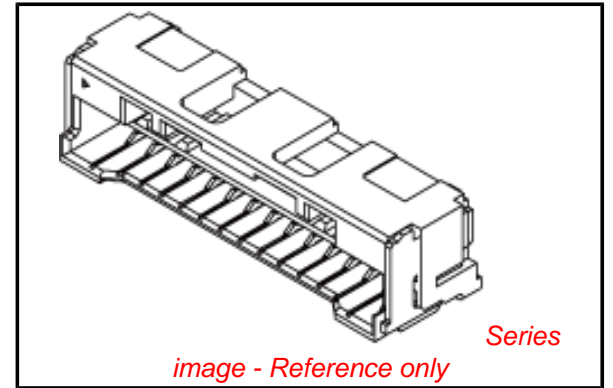


image - Reference only

EU RoHS

**ELV and RoHS
Compliant**
REACH SVHC
 Not Reviewed
**Halogen-Free
Status**
Not Reviewed

China RoHS



**Need more information on product
environmental compliance?**

Email productcompliance@molex.com
 For a multiple part number RoHS Certificate of Compliance, [click here](#)

Please visit the [Contact Us](#) section for any non-product compliance questions.

Search Parts in this Series

[502494Series](#)

Mates With

[502439 Crimp Housing](#)

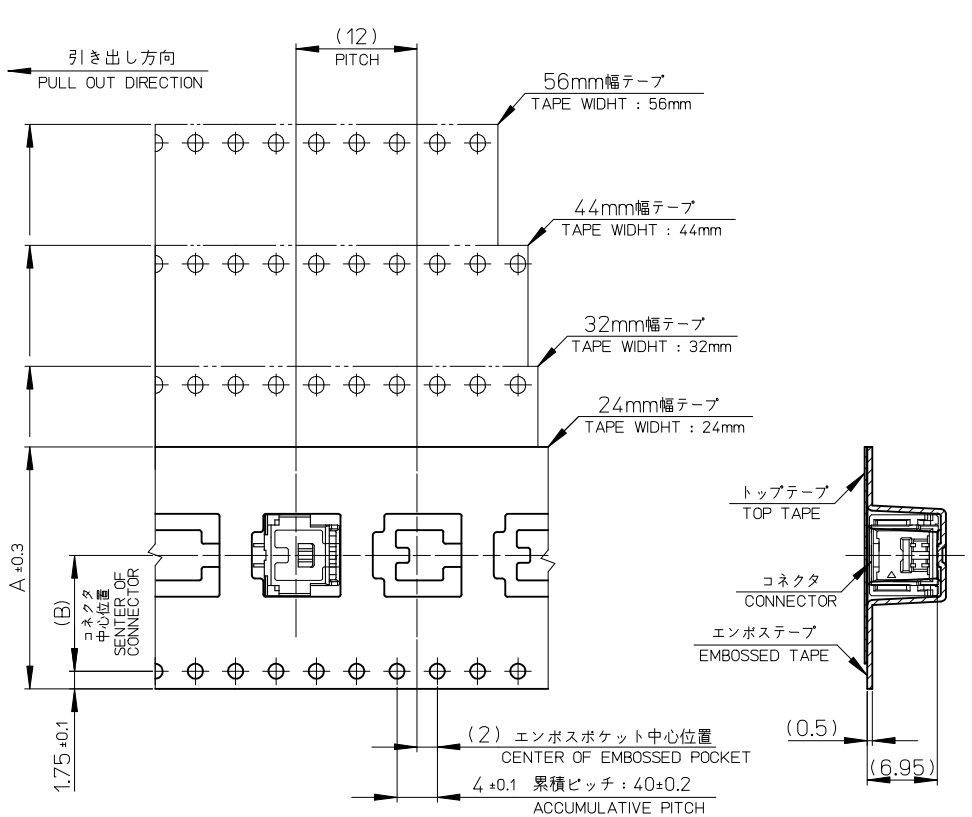
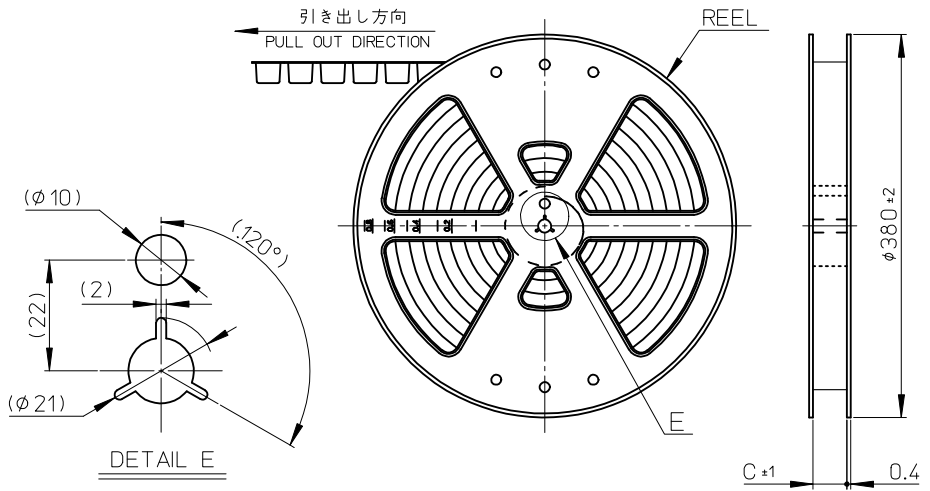
Product Specification

Sales Drawing

PS-502443-001, RPS-502443-001, RPS-502443-007,
RPS-502494-001
SD-502494-001, SD-502494-002

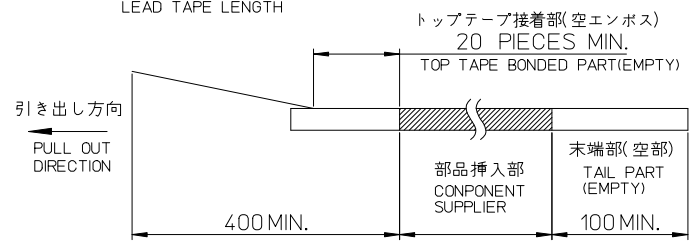
This document was generated on 06/07/2010

PLEASE CHECK WWW.MOLEX.COM FOR LATEST PART INFORMATION



NOTES

- 製品詳細寸法については、SD-502494-002を参照下さい。
PLEASE REFER TO SD-502494-002 FOR THE DETAILED DIMENSION OF THE CONNECTOR.
- 梱包数量：950個
NUMBER OF CONNECTORS：950 PIECES/REEL.
- リードテープ長さ
LEAD TAPE LENGTH



- 材料
MATERIAL
キャリアテープ：ポリスチレン
CARRIER TAPE：POLYSTYRENE
トップテープ：ポリエステル、ポリエチレン、ポリエチレンテレフタレート
TOP TAPE：POLYESTER, POLYETHYLENE, POLYETHYLENE TEREPHTHALATE
リール：ポリスチレン <リサイクル材を含む>
REEL：POLYSTYRENE <RECYCLE MATERIAL CONTAINED>
- ELV及びRoHS適合品
ELV AND RoHS COMPLIANT

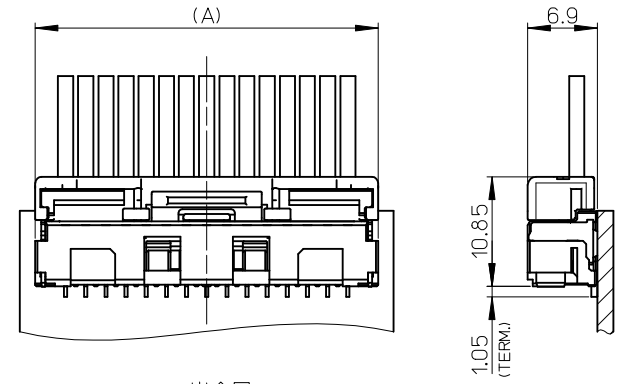
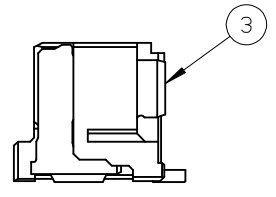
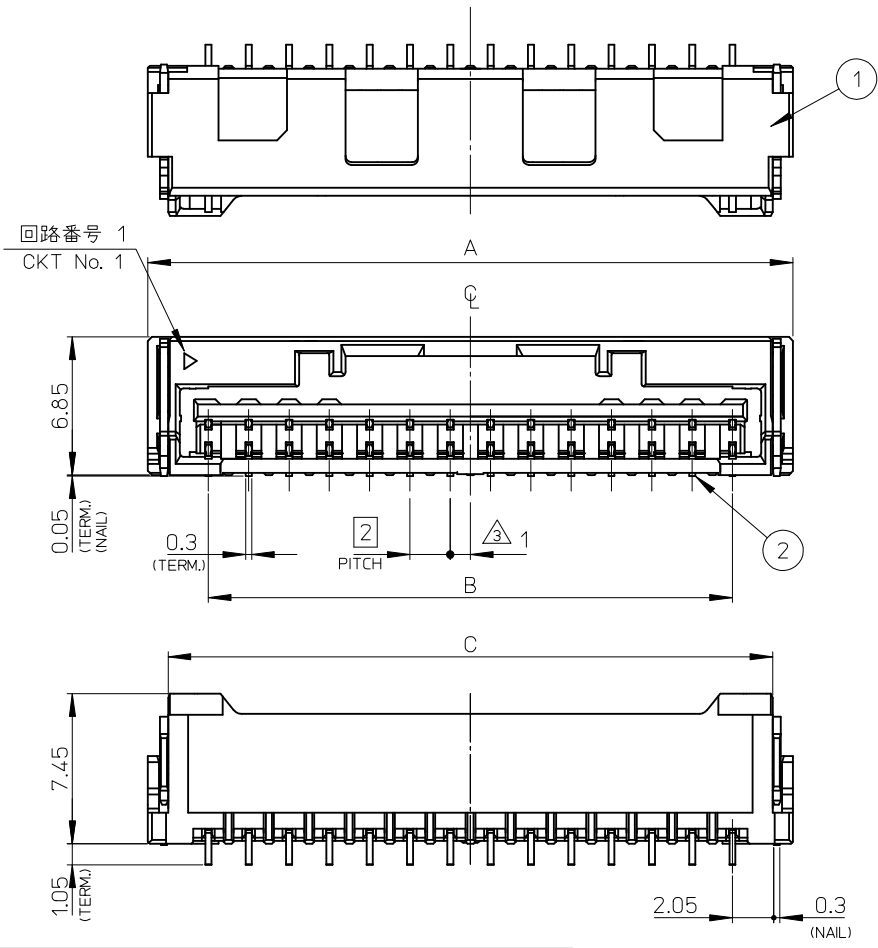
| | | | | |
|------|------|---------------------------|----------------------|----------------|
| 57.5 | 26.2 | 56 | 502494-1470 | 14 |
| 45.5 | 20.2 | 44 | 502494-1370 | 13 |
| 45.5 | 20.2 | 44 | 502494-1270 | 12 |
| 45.5 | 20.2 | 44 | 502494-0870 | 8 |
| 33.5 | 14.2 | 32 | 502494-0670 | 6 |
| 25.5 | 11.5 | 24 | 502494-0470 | 4 |
| C | B | エンボステープ幅 WIDTH OF TAPE | 製品番号 MATERIAL NO. | 極数 CXT. NO. |

| | | | | | | | | | | |
|---|-------------|--|--|----------------------------|---------------------------|---|------------------------|--|---------------------------|--|
| REVISED EC NO: J2010-0767 2009/10/20 DRWN: NITO CHKD: KASAKAWA 2009/10/20 APPR: NUKITA 2009/10/21 | DESCRIPTION | GENERAL TOLERANCES (UNLESS SPECIFIED) | | DIMENSION STYLE MM ONLY | | SCALE --- | DESIGN UNITS METRIC | | THIRD ANGLE PROJECTION | |
| | | 10 UNDER | ±0.2 | DRAWN BY NITO | DATE 2007/01/11 | TITLE EMBOSSSED TAPE PACKAGE FOR 502494 | | | | |
| | | 10 OVER 30 UNDER | ±0.25 | CHECKED BY KASAKAWA | DATE 2007/01/11 | MOLEX INCORPORATED | | | | |
| | | 30 OVER | ±0.3 | APPROVED BY YOITO | DATE 2007/01/11 | | | | | |
| REV | ANGULAR | ±3 ° | DRAFT WHERE APPLICABLE MUST REMAIN WITHIN DIMENSIONS | | MATERIAL NO. SEE TABLE | DOCUMENT NO. SD-502494-001 | SHEET NO. 1 OF 1 | | | |
| SIZE A3 THIS DRAWING CONTAINS INFORMATION THAT IS PROPRIETARY TO MOLEX INCORPORATED AND SHOULD NOT BE USED WITHOUT WRITTEN PERMISSION | | | | | | | | | | |

10 9 8 7 6 5 4 3 2 1

NOTES

1. 嵌合相手 : 502438-**00
MATE WITH : 502438-**00
2. 端子テール部 及び ネイルの平坦度 : 0.1MAX.
TAIL AND NAIL COPLANARITY TO BE 0.1 MAX.
3. 極数 / 2 = 偶数に適用。
APPLY FOR CKT. SIZE / 2 = EVEN.
4. 端子テール部 及び ネイルに錫めっきを使用しているため、
外観に摺動痕が付く場合が御座います。
THE WOUND OF FRICTION MIGHT ADHERE TO EXTERNALS
BECAUSE THE TIN PLATING IS USED FOR THE TAIL AND NAIL.
5. 本製品のプラスチック部に黒点等が確認される場合や
色合いが異なる場合がありますが、製品性能に影響はありません。
THERE IS NO INFLUENCE IN THE PRODUCT PERFORMANCE THOUGH
THE BLACK SPOT ETC. MIGHT BE CONFIRMED TO THE PLASTIC PART
OF THIS PRODUCT AND THE SHADE MIGHT BE DIFFERENT.
6. ELV 及び RoHS 適合品
ELV AND RoHS COMPLIANT



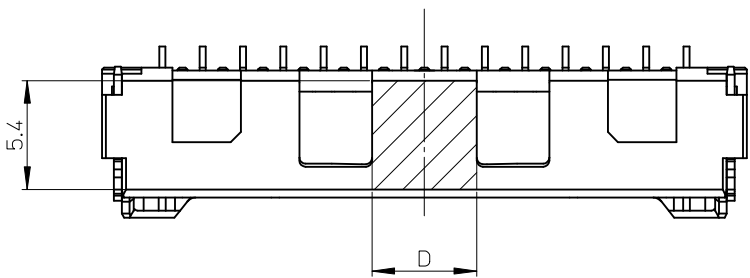
嵌合図 MATED CONNECTORS
(SCALE : 2-1)

| | | | | | |
|-----|----|----|----|-----------------------|----------|
| 5.2 | 30 | 26 | 32 | 502494-1470 | 14 |
| 5.2 | 28 | 24 | 30 | 502494-1370 | 13 |
| 5.2 | 26 | 22 | 28 | 502494-1270 | 12 |
| 5.2 | 18 | 14 | 20 | 502494-0870 | 8 |
| 4 | 14 | 10 | 16 | 502494-0670 | 6 |
| 7.6 | 10 | 6 | 12 | 502494-0470 | 4 |
| D | C | B | A | EMBOSSED TAPE PACKAGE | 極数 |
| | | | | 注文番号 ORDER No. | CKT. NO. |

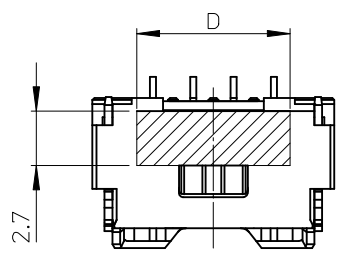
| 番号 NO. | 部品 PART | 材質 MATERIAL |
|-----------|-------------------|---|
| ① | ハウジング HOUSING | 耐熱性樹脂 UL94V-0 色 : ナチュラル HEATPROOF RESIN UL94V-0 COLOR:NATURAL |
| ② | ターミナル TERMINAL | 銅合金 COPPER ALLOY 錫めっき : 1.0 micro-meter MIN. TIN (TAIL AREA) ニッケルめっき(下地) : 1.0 micro-meter MIN. NICKEL (UNDER PLATING) |
| ③ | ネイル NAIL | 銅合金 COPPER ALLOY 錫めっき : 1.0 micro-meter MIN. TIN ニッケルめっき(下地) : 1.0 micro-meter MIN. NICKEL (UNDER PLATING) |

| | | | | | | | | | |
|--|-------------|--|-------|----------------------------|--------------------|---|------------------------|--|--|
| REVISED EC NO: J2010-0767 2009/10/20 DRW:NITO CHKD:KASAKAWA 2009/10/20 APPR:NUKITA 2009/10/21 | DESCRIPTION | GENERAL TOLERANCES (UNLESS SPECIFIED) | | DIMENSION STYLE MM ONLY | | SCALE 4:1 | DESIGN UNITS METRIC | THIRD ANGLE PROJECTION | |
| | | 10 UNDER | ±0.2 | DRAWN BY NITO | DATE 2007/01/11 | TITLE 2.0 W/B CONN. SINGLE R/A REC. ASSY 2-15CKT -LEAD FREE- | | | |
| | | 10 OVER 30 UNDER | ±0.25 | CHECKED BY KASAKAWA | DATE 2007/01/11 | MOLEX INCORPORATED | | | |
| | | 30 OVER | ±0.3 | APPROVED BY YOITO | DATE 2007/01/11 | DOCUMENT NO. SD-502494-002 | | | |
| ANGULAR ±1 ° | | DRAFT WHERE APPLICABLE MUST REMAIN WITHIN DIMENSIONS | | MATERIAL NO. SEE TABLE | | SHEET NO. 1 OF 2 | | THIS DRAWING CONTAINS INFORMATION THAT IS PROPRIETARY TO MOLEX INCORPORATED AND SHOULD NOT BE USED WITHOUT WRITTEN PERMISSION | |

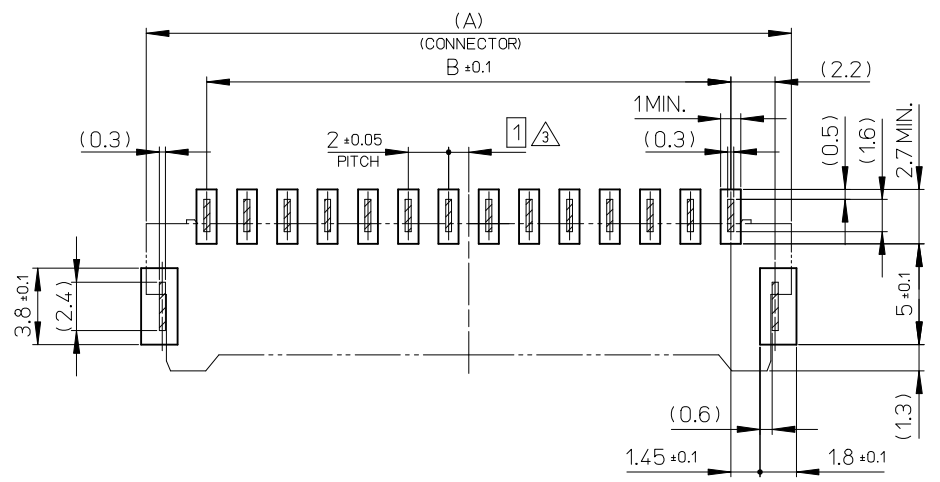
10 9 8 7 6 5 4 3 2 1



吸着エリア 6~14極
VACUME AREA 6~14CKT



吸着エリア 4極
VACUME AREA 4CKT



基板パターンレイアウト(参考)
RECOMMENDED P.C.B. PATTERN LAYOUT (REF.)

| | | | | | | | |
|--|--|---------------------------------------|--------------|---|--------------------|---|------------------------|
| REVISED EC NO: J2010-0767 DRWN: NITO CHKD: KASAKAWA APPR: NUKITA | 2009/10/20 2009/10/20 2009/10/21 | GENERAL TOLERANCES (UNLESS SPECIFIED) | | DIMENSION STYLE MM ONLY | SCALE 4:1 | DESIGN UNITS METRIC | THIRD ANGLE PROJECTION |
| | DESCRIPTION | 10 UNDER | ±0.2 | DRAWN BY NITO | DATE 2007/01/11 | TITLE 2.0 W/B CONN. SINGLE R/A REC. ASSY 2-15CKT -LEAD FREE- | |
| | REV | 10 OVER 30 UNDER | ±0.25 | CHECKED BY KASAKAWA | DATE 2007/01/11 | | |
| | | 30 OVER | ±0.3 | APPROVED BY Y01TO | DATE 2007/01/11 | MOLEX INCORPORATED | |
| | ANGULAR | ±1 ° | MATERIAL NO. | SEE TABLE | DOCUMENT NO. | SD-502494-002 | SHEET NO. 2 OF 2 |
| | DRAFT WHERE APPLICABLE MUST REMAIN WITHIN DIMENSIONS | | SIZE A3 | THIS DRAWING CONTAINS INFORMATION THAT IS PROPRIETARY TO MOLEX INCORPORATED AND SHOULD NOT BE USED WITHOUT WRITTEN PERMISSION | | | |