

**PLEASE CHECK WWW.MOLEX.COM FOR LATEST PART INFORMATION**

**Part Number:** [0391001312](#)  
**Status:** **Active**  
**Description:** 12.00mm (.472") Pitch Beau™ Eurostyle™ Two-Screw Terminal Strips, 12 Circuits, Low Profile

**Documents:**

[3D Model](#) [RoHS Certificate of Compliance \(PDF\)](#)  
[Drawing \(PDF\)](#)

**Agency Certification**

CSA 25562  
 UL E82573

**General**

Product Family Terminal Blocks  
 Series [39100](#)  
 Application Wire-to-Wire  
 Component Type One Piece  
 Product Literature Order No USA-303  
 Product Name Eurostyle™ Two Screw  
 Type Euro Block

**Physical**

Circuits (Loaded) 12  
 Entry Angle Horizontal  
 Flammability 94V-2  
 Lock to Mating Part None  
 Number of Rows 2  
 Orientation Vertical  
 PCB Retention Yes  
 Panel Mount Mounting Holes Between Circuit  
 Pitch - Mating Interface (in) 0.472 In  
 Pitch - Mating Interface (mm) 12.00 mm  
 Pitch - Term. Interface (in) 0.315 In  
 Pitch - Term. Interface (mm) 8.00 mm  
 Polarized to Mating Part No  
 Stackable No  
 Temperature Range - Operating 100°C  
 Wire Size AWG 10, 12, 14, 16, 18, 20, 8

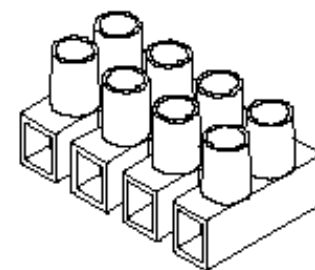
**Electrical**

Current - Maximum per Contact 40A  
 Voltage - Maximum 300V

**Material Info**

**Reference - Drawing Numbers**

Sales Drawing SD-39100-005



*image - Reference only* *Series*

**EU RoHS**

**ELV and RoHS Compliant**  
**REACH SVHC**  
 Not Reviewed  
**Halogen-Free Status**  
**Not Reviewed**

**China RoHS**

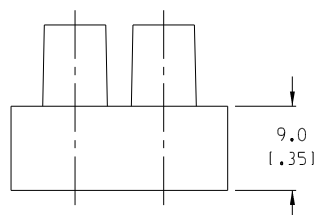
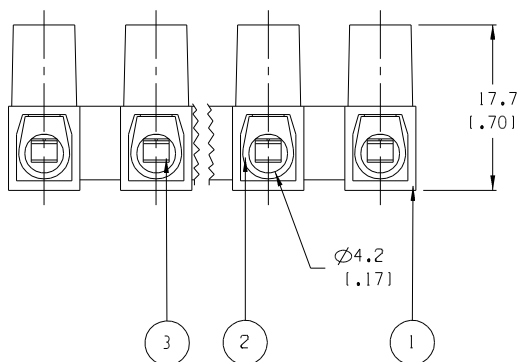
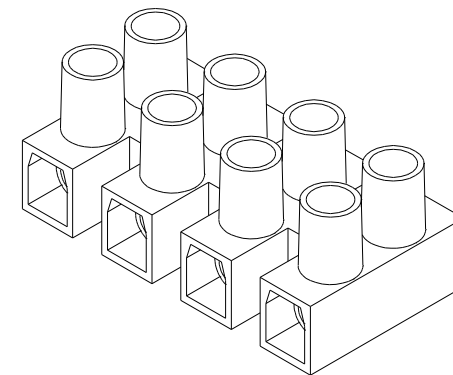
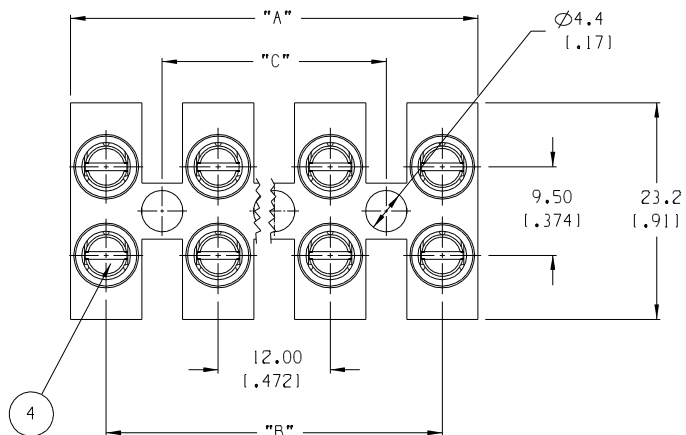


**Need more information on product environmental compliance?**

Email [productcompliance@molex.com](mailto:productcompliance@molex.com)  
 For a multiple part number RoHS Certificate of Compliance, [click here](#)

Please visit the [Contact Us](#) section for any non-product compliance questions.

**Search Parts in this Series**  
[39100Series](#)



NUMBER OF CIRCUITS	"A" DIM.	"B" DIM.	"C" DIM.	MATERIAL NUMBER
01	8.00 [1.315]	N/A	N/A	391001301
02	20.00 [1.787]	12.00 [1.472]	N/A	391001302
03	32.00 [1.260]	24.00 [1.944]	12.00 [1.472]	391001303
04	44.00 [1.732]	36.00 [1.416]	24.00 [1.945]	391001304
05	56.00 [2.205]	48.00 [1.888]	36.00 [1.417]	391001305
06	68.00 [2.677]	60.00 [2.359]	48.00 [1.890]	391001306
07	80.00 [3.150]	72.00 [2.831]	60.00 [2.362]	391001307
08	92.00 [3.622]	84.00 [3.303]	72.00 [2.835]	391001308
09	104.00 [4.094]	96.00 [3.775]	84.00 [3.307]	391001309
10	116.00 [4.567]	108.00 [4.247]	96.00 [3.780]	391001310
11	128.00 [5.039]	120.00 [4.719]	108.00 [4.252]	391001311
12	140.00 [5.512]	132.00 [5.191]	120.00 [4.724]	391001312

- NOTES:
1. MATERIAL: SEE TABLE
  2. FINISHES: SEE TABLE
  3. PRODUCT SPECIFICATION: NOT REQUIRED
  4. PACKAGING: NOT REQUIRED
  5. MATES WITH: NONE
  6. "XX" REFERS TO THE NUMBER OF CIRCUITS

ITEM	QTY.	DESCRIPTION	MATERIAL	FINISH
4	XX*2	CLAMPING SCREWS, M3.5	STEEL	ZINC
3	XX	WIRE PROTECTOR	BRASS	NICKEL
2	XX	TERMINAL	BRASS	NICKEL
1	1	INSULATOR	NYLON 6	CLEAR

EC NO. RELEASED DRWN: JF 09-16-04 CH*K: APPR:	DESCRIPTION MAJOR CRITICAL SPC S	QUALITY SYMBOLS	GENERAL TOLERANCES: (UNLESS SPECIFIED)	SCALE 2:1	DESIGN UNITS <input type="checkbox"/> mm <input checked="" type="checkbox"/> INCH	THIRD ANGLE PROJECTION	TITLE: 12MM LOW PROFILE WITH WIRE PROTECTORS	PROJECT NO. -	SHT	REV
		4 PLACES	mm INCH	±.0015	DRAWN BY & DATE J. FARMER 09-16-04	<input checked="" type="checkbox"/> mm <input type="checkbox"/> INCH <input type="checkbox"/> mm ONLY				
		3 PLACES	±.038 ±.005	CHECKED BY & DATE						
		2 PLACES	±.13 ±.01	APPROVED BY & DATE						
		1 PLACE	±.3	ANGULAR: ±2°	CAD FILENAME 39100-13XX	MATERIAL NO. SEE CHART	DRAWING NO. SD-39100-005	SHEET NO. 1 OF 1	THIS DRAWING CONTAINS INFORMATION THAT IS PROPRIETARY TO MOLEX INCORPORATED AND SHOULD NOT BE USED WITHOUT WRITTEN PERMISSION.	

SIZE B