

KFO-TX08CB

Features

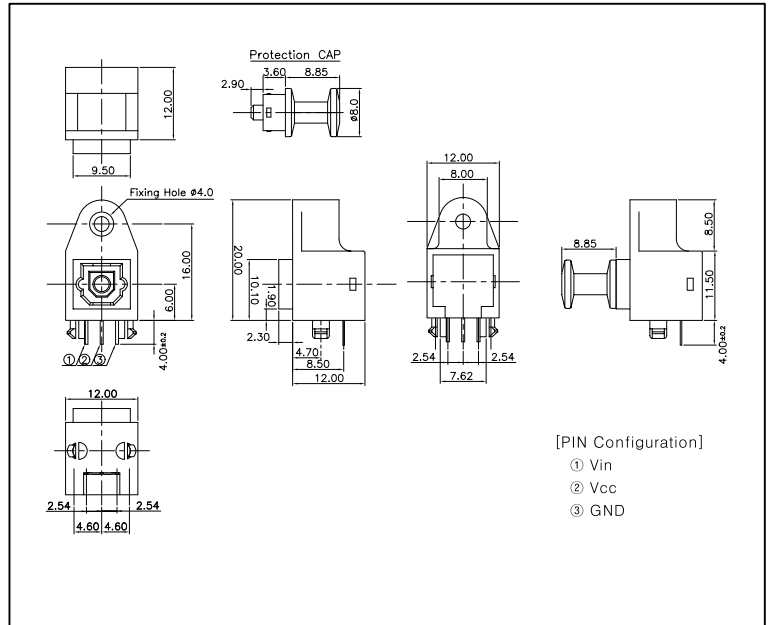
- Low Jitter Output
- Operating Voltage : 4.75 ~ 5.25V
- TTL Interface
- Signal Transmission Speed : 8Mbps
- A Self-tapping Hole for Easy Attachment to Audio Equipment Panels
- 2 pin Cap Houging

Applications

- Digital Audio Equipment(CD,MD), STB, DVDP, etc

Dimensions

(Unit : mm)



Absolute Maximum Ratings

[Ta = 25°C]

Description	Symbol	Ratings	Condition
Power Supply Voltage	V _{cc}	-0.5 ~ +7.0V	-
Input Voltage	V _{IN}	V _{cc} +0.5V	-
Operating Temperature	T _{opr}	-20 ~ +70°C	-
Storage Temperature	V _{stg}	- 30 ~ + 80°C	-
Soldering Temperature *1	T _{sol}	260°C	-

*1 : Soldering Time ≤ 10 seconds(At a distance of 1mm from the package)

Electro-Optical Characteristics

[V_{cc}= 5V, Ta= 25°C]

Parameter	Symbol	Characteristics	Condition
Operating Supply Voltage	V _{cc}	4.75 ~ 5.25 V	-
Peak Emission Wavelength	λ _p	TYP 660 nm	-
Data Rate	T	MAX 8 Mbps	-
Optical Output Coupling with Fiber	P _c	MIN -21 dBm	-
Current Consumption	I _{cc}	MAX 10.0 mA	-
Input High Level	V _{IH}	MIN 2.0 V	-
Input Low Level	V _{IL}	MAX 0.8 V	-
Propagation Delay Time (H -> L)	t _{pHL}	MAX 100 ns	-
Propagation Delay Time (L -> H)	t _{pLH}	MAX 100 ns	-
Pulse Width Distortion	△tw	MAX 10 ns	-
Jitter	△tj	MAX 15 ns	-