

***THIS DOCUMENT IS FOR MAINTENANCE
PURPOSES ONLY AND IS NOT
RECOMMENDED FOR NEW DESIGNS***



SP8655A 200MHz ÷ 32, SP8657A 200MHz ÷ 20, SP8659B 200MHz ÷ 16

The SP8655A, SP8657A and SP8659B are low power ECL counters with open collector output capable of driving TTL or CMOS and have internally biased inputs.

FEATURES

- AC Coupled Inputs
- Low Power Consumption
- CMOS/TTL Compatible Open Collector Output

QUICK REFERENCE DATA

- Supply Voltage: 5.0V
- Power Consumption: 50mW
- Temperature Range: -55°C to +125°C (SP8655A, SP8657A)
-30°C to +70°C (SP8659B)

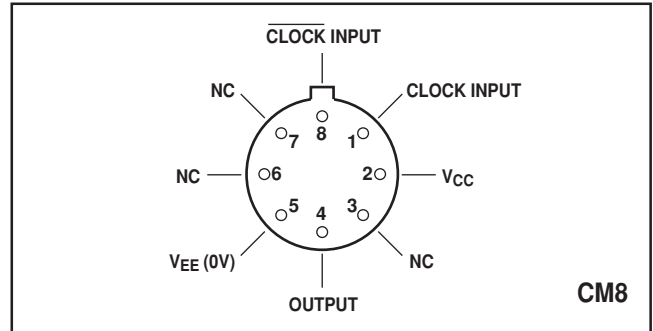


Fig. 1 Pin connections - bottom view

ABSOLUTE MAXIMUM RATINGS

Supply voltage	8V
Open collector output voltage	12V
Storage temperature range	-65°C to +150°C
Max. junction temperature	+175°C
Max. clock input voltage	2.5V p-p
Output sink current	10mA

ORDERING INFORMATION

- SP8655 A CM
- SP8657 A CM
- SP8659 B CM

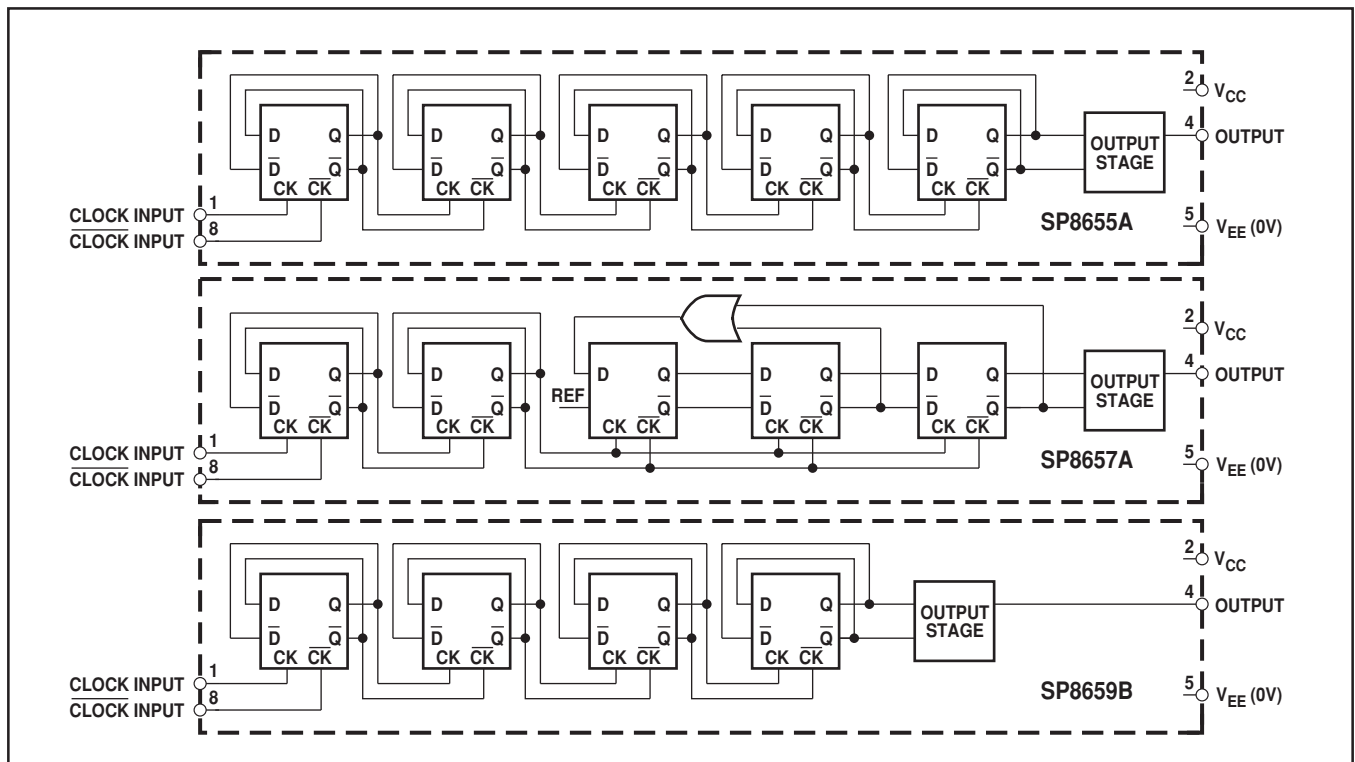


Fig. 2 Functional diagrams

ELECTRICAL CHARACTERISTICS

Unless otherwise stated, the Electrical Characteristics are guaranteed over specified supply, frequency and temperature range

Supply voltage, $V_{CC} = 5.0V \pm 0.25V$, $V_{EE} = 0V$

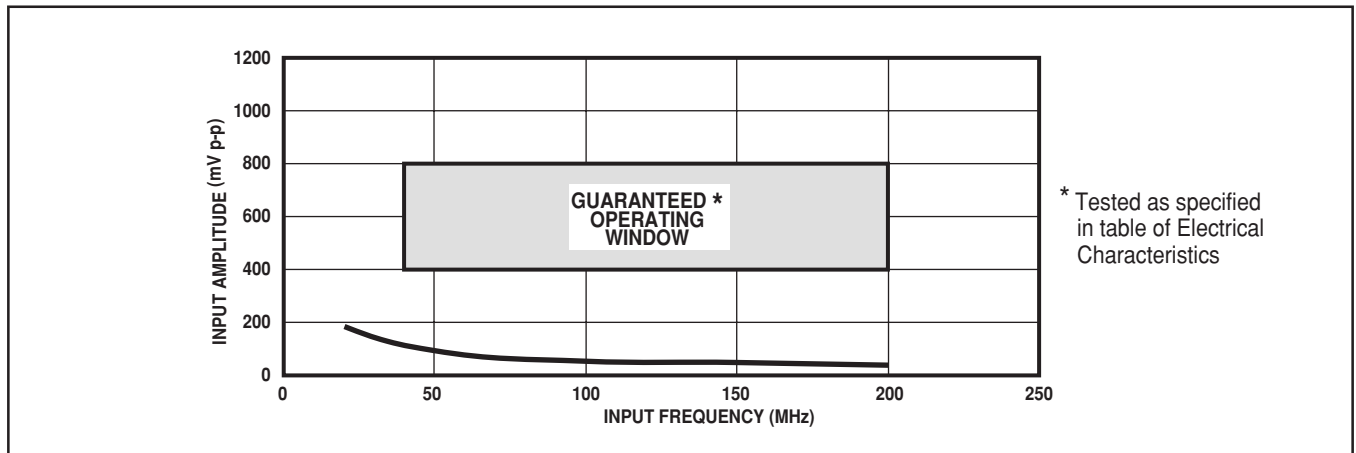
Temperature, $T_{AMB} = -55^{\circ}C$ to $+125^{\circ}C$ (SP8655A, SP8657A), $-30^{\circ}C$ to $+70^{\circ}C$ (SP8659B)

Characteristic	Symbol	Value		Units	Conditions
		Min.	Max.		
Maximum frequency (sinewave input)	f_{MAX}	200		MHz	Input = 400-800mV p-p
Minimum frequency (sinewave input)	f_{MIN}		40	MHz	Input = 400-800mV p-p
Power supply current	I_{CC}		13	mA	
Output high voltage	V_{OH}	7.5		V	$V_{CC} = 5V$, $C_{LOAD} \leq 5pF$, pin 4 = $1.5k\Omega$ to 10V
Output low voltage	V_{OL}		0.45	V	$V_{CC} = 5V$, pin 4 = $1.5k\Omega$ to 10V

NOTES

1. The test configuration for dynamic testing is shown in Fig.5.
2. Above characteristics are not tested at 25°C (tested at low and high temperatures only).

www.DataSheet4U.com



* Tested as specified in table of Electrical Characteristics

Fig. 3 Typical input characteristic

OPERATING NOTES

1. The clock inputs (pins 1 and 8) should be capacitively coupled to the signal source. When driven single ended, the input signal path is completed by a capacitor from the unused input to ground.
2. In the absence of a signal the devices will self-oscillate. This can be prevented by connecting a $39k\Omega$ resistor from either input to ground. If the device is driven single ended, it is recommended that the pull-down resistor be connected to the decoupled unused input. There will be a loss in sensitivity of approximately 200mV.
3. The device will operate down to DC but input slew rate must be better than $100V/\mu s$.
4. The open collector output will drive three TTL loads, and

therefore requires a suitable resistor to V_{CC} to maintain noise immunity. In order to maintain noise immunity on transitions, this resistor should not exceed $4.7k\Omega$. For interfacing to CMOS, the open collector may be restored to a +10V line via a $3.3k\Omega$ resistor.

5. Input impedance varies as a function of frequency; see Fig. 4.
6. The rise time of the open collector output waveform is directly proportional to the load capacitance and load resistor value. Therefore, the load capacitance should be minimised and the load resistor kept to a minimum compatible with system power requirements.

In the test configuration of Fig. 5, the output rise time is approximately 20ns and the fall time is typically 10ns.

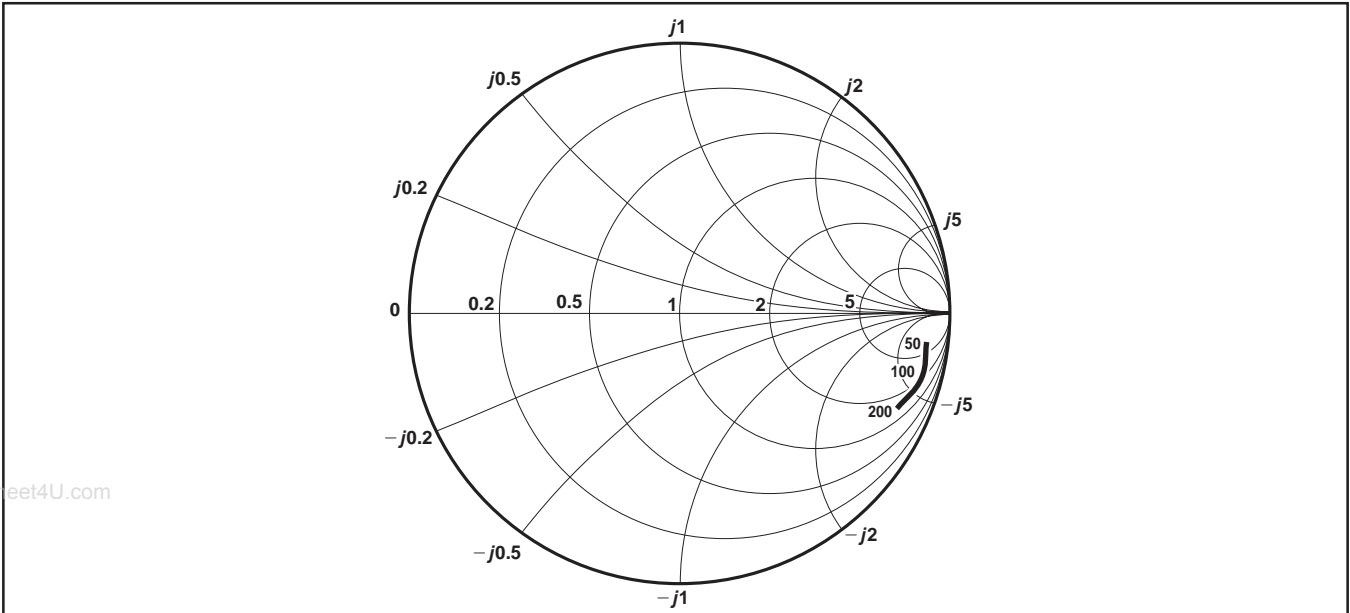


Fig. 4 Typical input impedance. Test conditions: supply voltage = 5.0V, ambient temperature = 25°C, frequencies in MHz, Impedances normalised to 50Ω

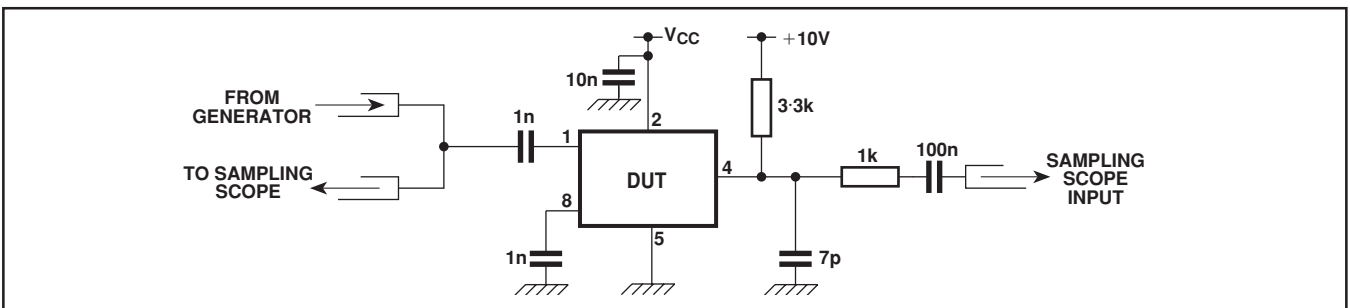


Fig. 5 Test circuit

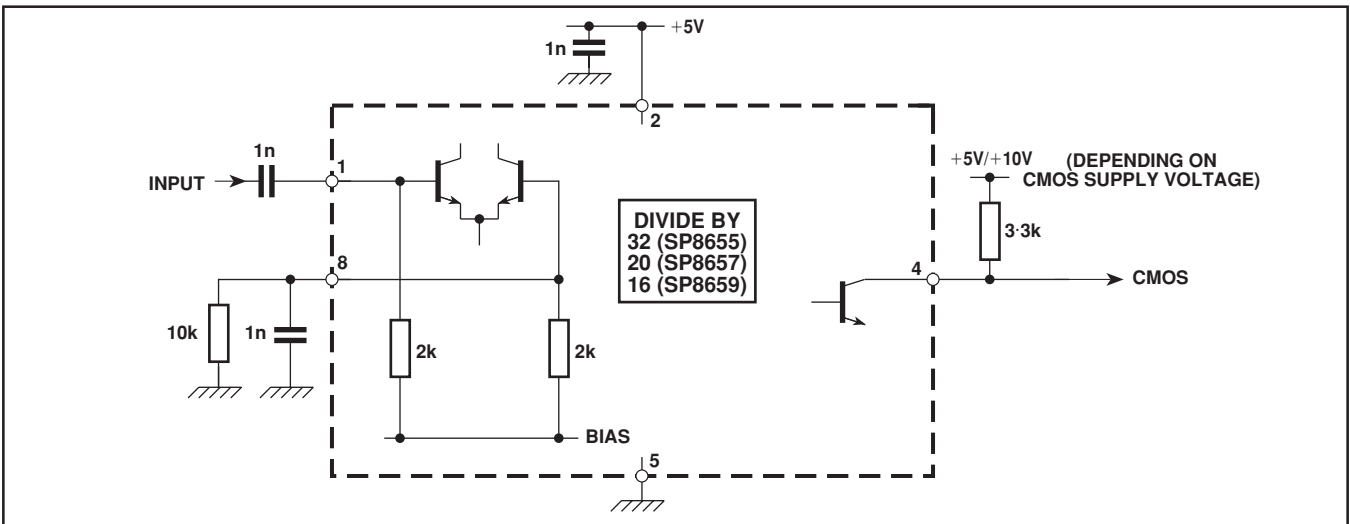


Fig. 6. Typical application circuit showing interfacing

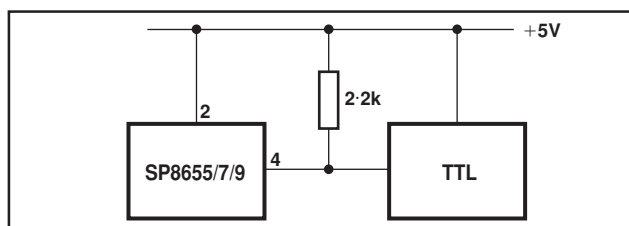
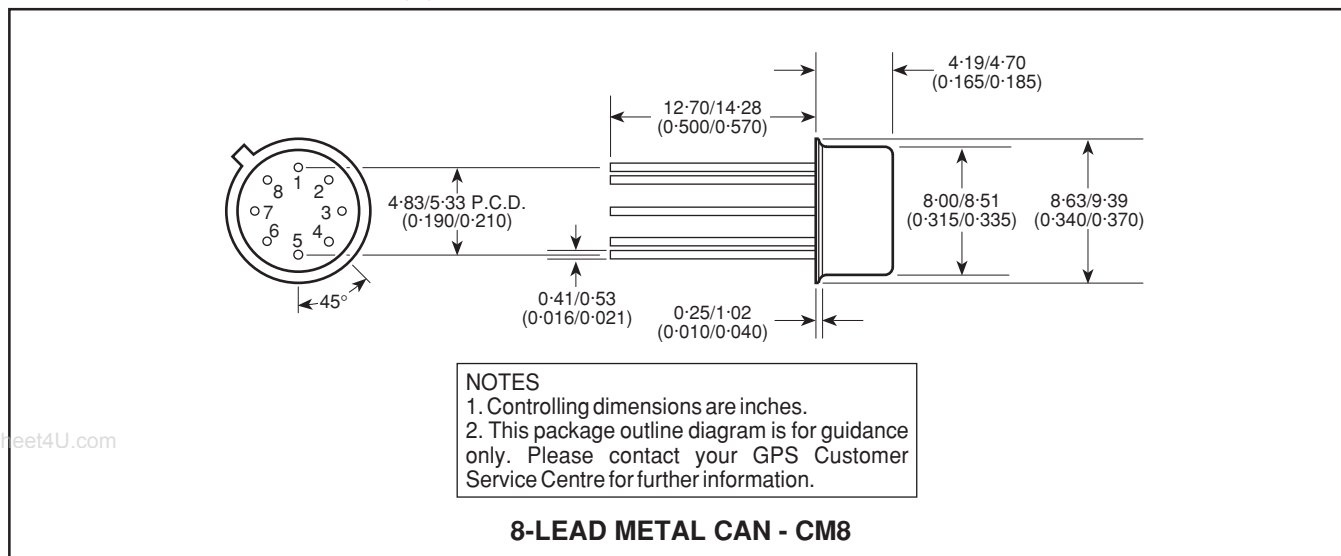


Fig. 7. Interfacing to TTL. Load not to exceed 3 TTL unit loads

PACKAGE DETAILS

Dimensions are shown thus: mm (in).



www.DataSheet4U.com



HEADQUARTERS OPERATIONS
GEC PLESSEY SEMICONDUCTORS
 Cheney Manor, Swindon,
 Wiltshire SN2 2QW, United Kingdom.
 Tel: (0793) 518000
 Fax: (0793) 518411

GEC PLESSEY SEMICONDUCTORS
 P.O. Box 660017
 1500 Green Hills Road,
 Scotts Valley, CA95067-0017
 United States of America.
 Tel (408) 438 2900
 Fax: (408) 438 5576

CUSTOMER SERVICE CENTRES

- **FRANCE & BENELUX** Les Ulis Cedex Tel: (1) 64 46 23 45 Fax : (1) 64 46 06 07
- **GERMANY** Munich Tel: (089) 3609 06-0 Fax : (089) 3609 06-55
- **ITALY** Milan Tel: (02) 66040867 Fax: (02) 66040993
- **JAPAN** Tokyo Tel: (3) 5276-5501 Fax: (3) 5276-5510
- **NORTH AMERICA** Scotts Valley, USA Tel: (408) 438 2900 Fax: (408) 438 7023.
- **SOUTH EAST ASIA** Singapore Tel: (65) 3827708 Fax: (65) 3828872
- **SWEDEN** Stockholm Tel: 46 8 702 97 70 Fax: 46 8 640 47 36
- **UK, EIRE, DENMARK, FINLAND & NORWAY**
 Swindon Tel: (0793) 518510 Fax : (0793) 518582

These are supported by Agents and Distributors in major countries world-wide.

© GEC Plessey Semiconductors 1994 Publication No. DS3667 Issue No. 1.2 March 1994

This publication is issued to provide information only which (unless agreed by the Company in writing) may not be used, applied or reproduced for any purpose nor form part of any order or contract nor to be regarded as a representation relating to the products or services concerned. No warranty or guarantee express or implied is made regarding the capability, performance or suitability of any product or service. The Company reserves the right to alter without prior knowledge the specification, design or price of any product or service. Information concerning possible methods of use is provided as a guide only and does not constitute any guarantee that such methods of use will be satisfactory in a specific piece of equipment. It is the user's responsibility to fully determine the performance and suitability of any equipment using such information and to ensure that any publication or data used is up to date and has not been superseded. These products are not suitable for use in any medical products whose failure to perform may result in significant injury or death to the user. All products and materials are sold and services provided subject to the Company's conditions of sale, which are available on request.



<http://www.zarlink.com>

World Headquarters - Canada

Tel: +1 (613) 592 0200

Fax: +1 (613) 592 1010

North America - West Coast

Tel: (858) 675-3400

Fax: (858) 675-3450

North America - East Coast

Tel: (978) 322-4800

Fax: (978) 322-4888

Asia/Pacific

Tel: +65 333 6193

Fax: +65 333 6192

**Europe, Middle East,
and Africa (EMEA)**

Tel: +44 (0) 1793 518528

Fax: +44 (0) 1793 518581

Information relating to products and services furnished herein by Zarlink Semiconductor Inc. trading as Zarlink Semiconductor or its subsidiaries (collectively "Zarlink") is believed to be reliable. However, Zarlink assumes no liability for errors that may appear in this publication, or for liability otherwise arising from the application or use of any such information, product or service or for any infringement of patents or other intellectual property rights owned by third parties which may result from such application or use. Neither the supply of such information or purchase of product or service conveys any license, either express or implied, under patents or other intellectual property rights owned by Zarlink or licensed from third parties by Zarlink, whatsoever. Purchasers of products are also hereby notified that the use of product in certain ways or in combination with Zarlink, or non-Zarlink furnished goods or services may infringe patents or other intellectual property rights owned by Zarlink.

This publication is issued to provide information only and (unless agreed by Zarlink in writing) may not be used, applied or reproduced for any purpose nor form part of any order or contract nor to be regarded as a representation relating to the products or services concerned. The products, their specifications, services and other information appearing in this publication are subject to change by Zarlink without notice. No warranty or guarantee express or implied is made regarding the capability, performance or suitability of any product or service. Information concerning possible methods of use is provided as a guide only and does not constitute any guarantee that such methods of use will be satisfactory in a specific piece of equipment. It is the user's responsibility to fully determine the performance and suitability of any equipment using such information and to ensure that any publication or data used is up to date and has not been superseded. Manufacturing does not necessarily include testing of all functions or parameters. These products are not suitable for use in any medical products whose failure to perform may result in significant injury or death to the user. All products and materials are sold and services provided subject to Zarlink Semiconductor's conditions of sale which are available on request.

Purchase of Zarlink's I²C components conveys a licence under the Philips I²C Patent rights to use these components in an I²C System, provided that the system conforms to the I²C Standard Specification as defined by Philips

Zarlink and the Zarlink Semiconductor logo are trademarks of Zarlink Semiconductor Inc.
Copyright 2001, Zarlink Semiconductor Inc. All rights reserved.

TECHNICAL DOCUMENTATION - NOT FOR RESALE