



TAI-SAW TECHNOLOGY CO., LTD.

No. 3, Industrial 2nd Rd., Ping-Chen Industrial District,
Tao-Yuan, 324, Taiwan, R.O.C.

TEL: 886-3-4690038 FAX: 886-3-4697532

E-mail: tstsales@mail.taisaw.com Web: www.taisaw.com

Approval Sheet for Product Specification

Issued Date:

Product Name: 243.95 MHz PHS IF SAW Filter (SMD 3.5×3.5 mm)

TST Parts No.: TB0253A

Customer Parts No.: _____

Company: _____
Division: _____
Approved by : _____
Date: _____

Checked by: _____ Kazuma Lee

Approval by: _____ Francis Chen

Date: _____ 21 Aug. 2007



TAI-SAW TECHNOLOGY CO., LTD.

No.3, Industrial 2nd Rd., Ping-Chen Industrial District, Taoyuan, Taiwan, R.O.C.

TEL: 886-3-4690038 FAX: 886-3-4697532

E-mail: tstsales3@mail.taisaw.com Web: www.taisaw.com

243.95 MHz PHS IF SAW Filter (SMD 3.5×3.5 mm)

Model No.: TB0253A

Rev. No.:2

1. Maximum Rating:

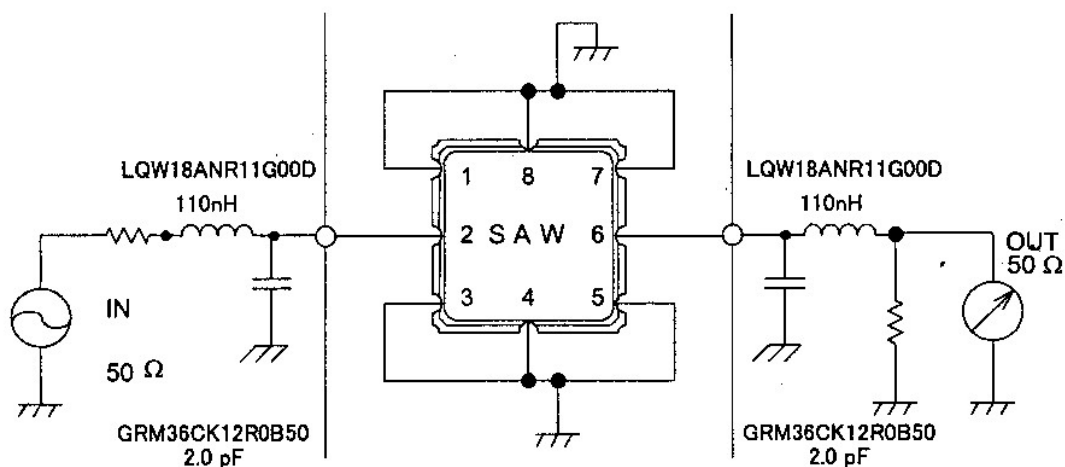
1. Input Power Level: +5 dB_m
2. Operating Temperature: -10°C to +60°C
3. Storage Temperature: -40°C to +85°C

RoHS Compliant
Lead free
Lead-free soldering

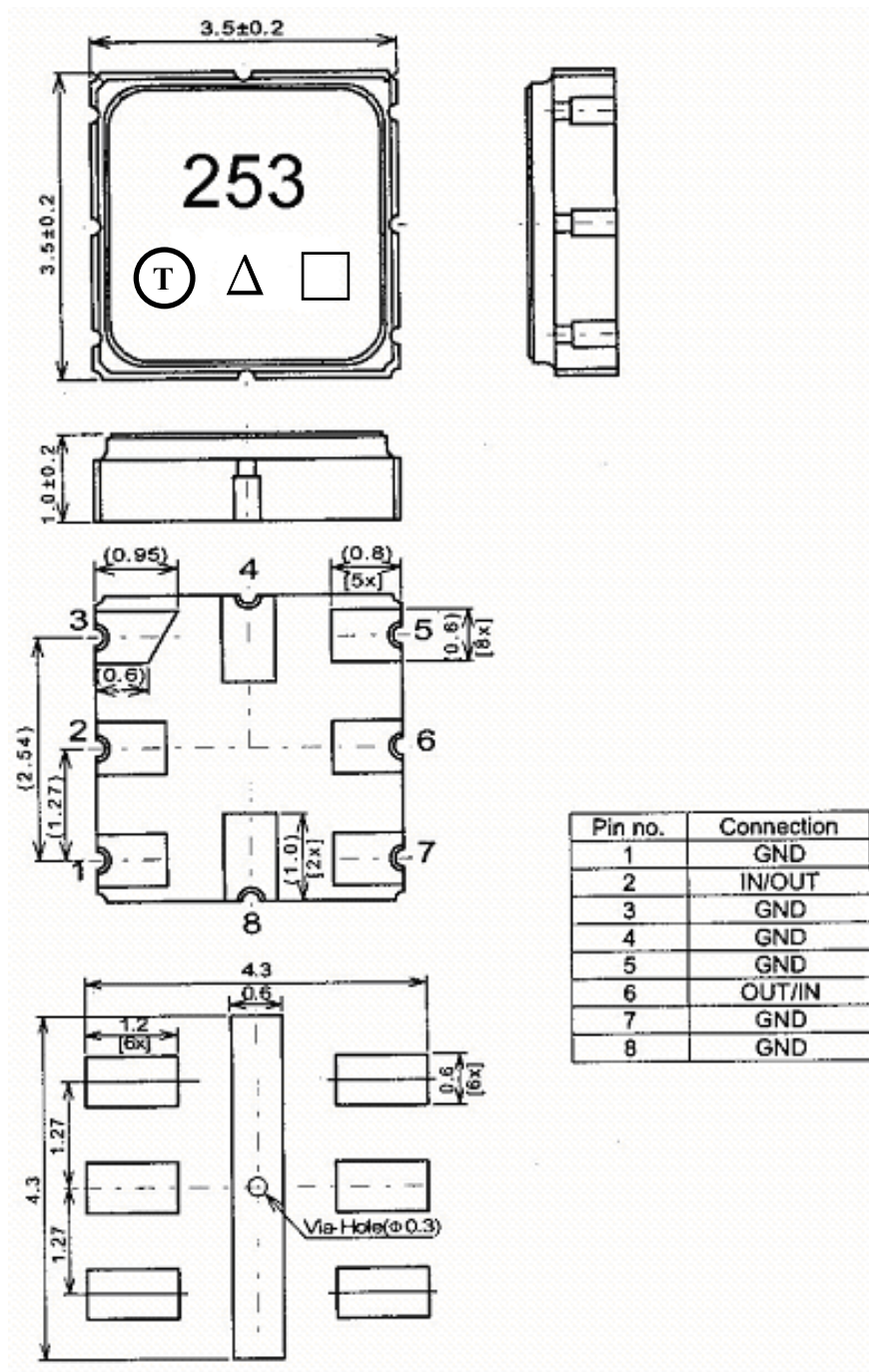
2. Electrical Characteristics:

Parameters	Unit	Min.	Typical	Max.
Nominal Center frequency, Fo	MHz	-	243.95	-
Insertion Loss at Fo	dB	-	3.0	4.0
3 dB Bandwidth	KHz	-	260	-
Amplitude ripple, Fo ± 100 KHz	dB		0.5	1.0
Group delay ripple, Fo ± 100 KHz	μsec	-	0.4	1.0
Attenuation:				
Fo ± 600 KHz	dB	25	30	-
Fo ± 10.7 MHz	dB	40	60	-
Fo ± 21.4 MHz	dB	60	65	-

3. Measurement Circuit:



4. Outline Drawing:



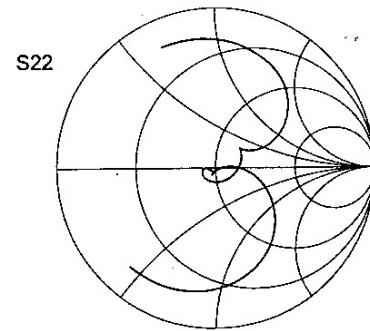
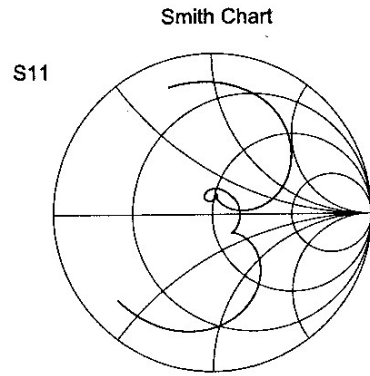
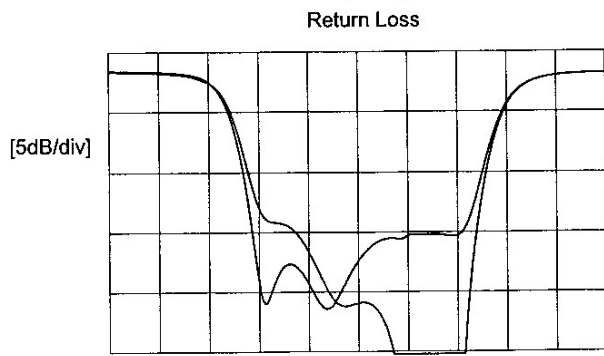
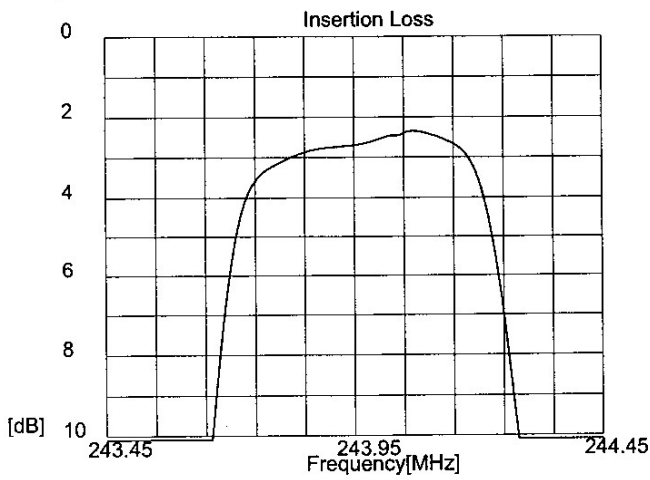
△ : Product / Year Code

□: Week Code (Follow the table from planner each year)

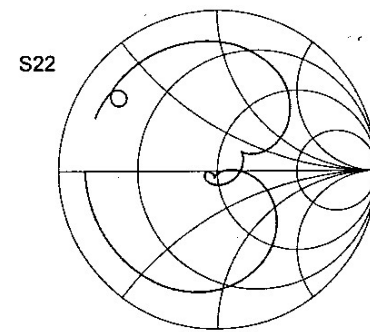
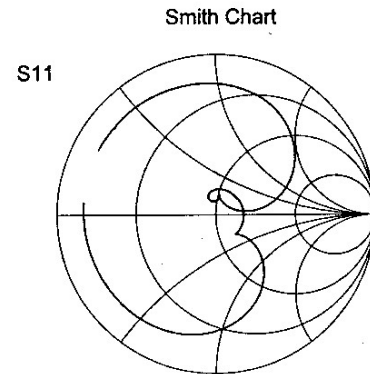
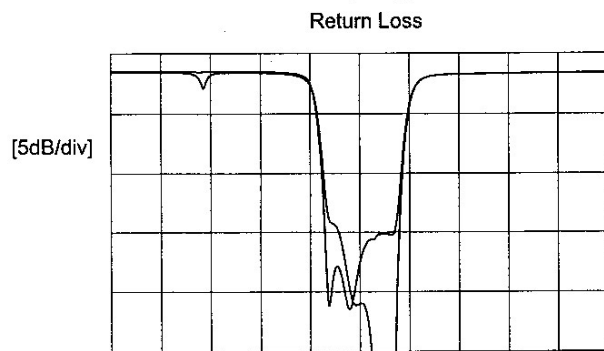
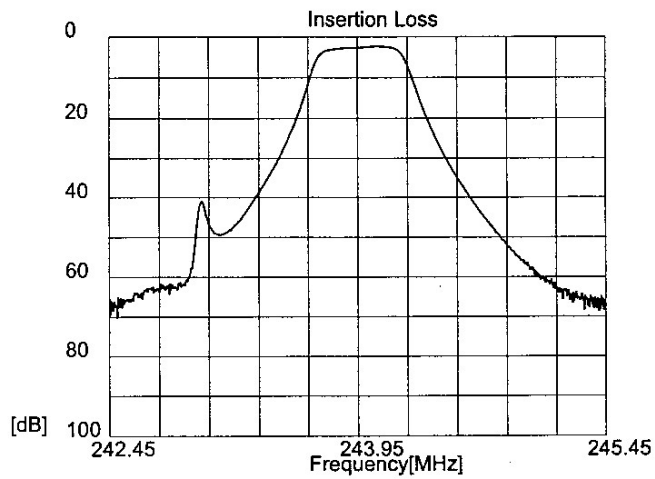
Unit: mm

Year	2005 2009	2006 2010	2007 2011	2008 2012
Product Code	B	b	<u>B</u>	<u>b</u>

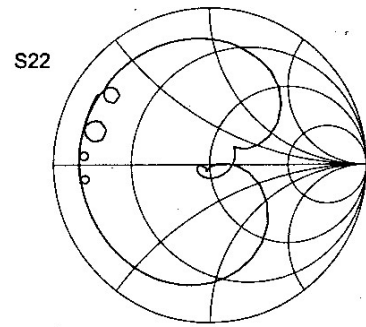
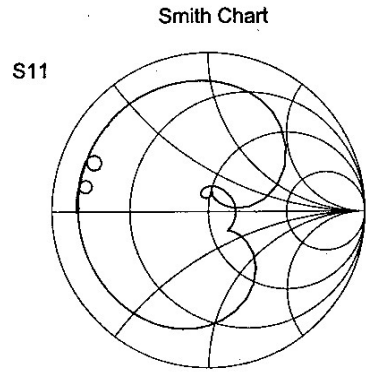
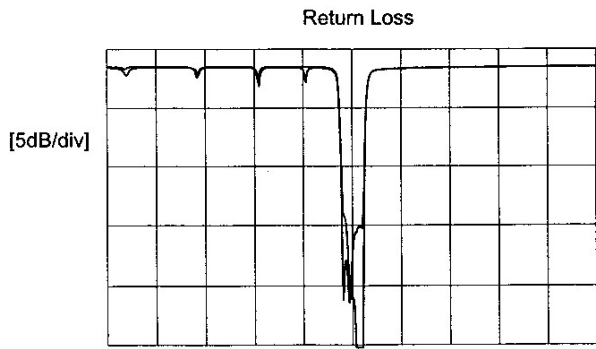
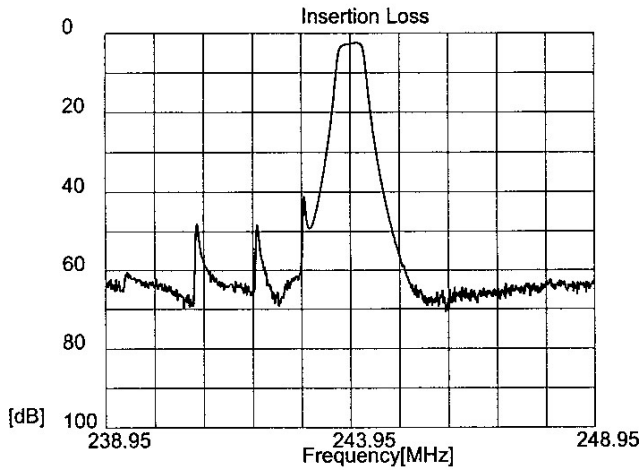
5. Frequency Characteristics:



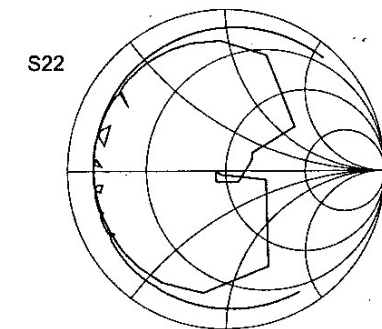
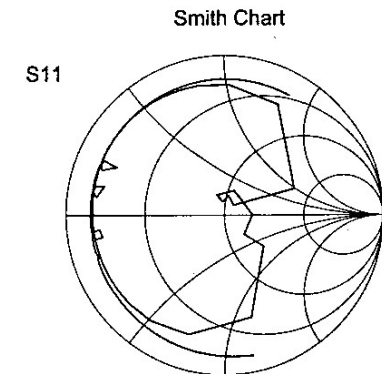
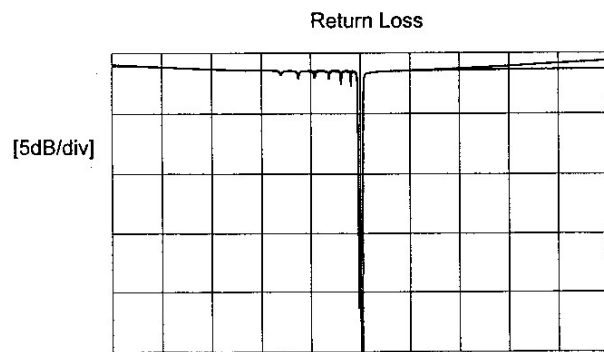
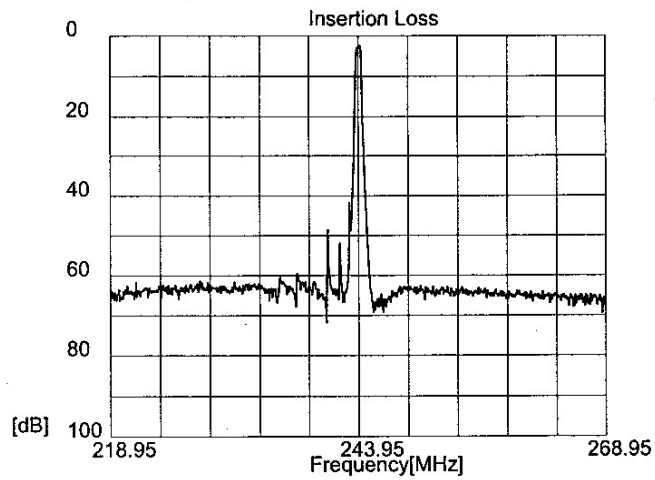
Center Freq. 243.95 [MHz]
Freq.Span 0 [MHz]



Center Freq. 243.95 [MHz]
Freq.Span 2 [MHz]



Center Freq. 243.95 [MHz]
Freq.Span 9 [MHz]



Center Freq. 243.950008 [MHz]
Freq.Span 50 [MHz]

Group Delay

