

PLEASE CHECK WWW.MOLEX.COM FOR LATEST PART INFORMATION

Part Number: [1300061356](#)
Status: **Active**
Overview: [minichange_products](#)
Description: Mini-Change® A-Size Single-Ended Cordset, 90° to Straight Female to Pigtail, 5 Poles, 4.57M (15.0') Length

Documents:

[Drawing \(PDF\)](#) [RoHS Certificate of Compliance \(PDF\)](#)

Agency Certification

CSA LR6837
 UL E152210

General

Product Family Industrial Cordsets
 Series [130006](#)
 Comments A-Size (7/8" - 16 UN-2B)
 Connector End A Mini-Change®
 Connector End B Pigtail
 IP Rating IP67
 NEMA Rating NEMA 6
 Overview [minichange_products](#)
 Product Name Mini-Change®
 Type Single Ended

Physical

Cable Diameter 12.70mm (.500")
 Cable Length 4.57m (15.0')
 Color - Cable Jacket Yellow
 Coupling Style Threaded
 Gender Female-Pigtail
 Keyway Single
 LED Indicator No
 Material - Cable Jacket PVC
 Material - Connector Body PVC
 Material - Contact Brass
 Material - Coupling Nut Black Epoxy Coated Zinc
 Material - Plating Mating Gold over Nickel
 Orientation 90° to Straight
 Poles 5
 Temperature Range - Operating -20°C to +105°C
 Wire Size AWG 16
 Wire/Cable Type ST00W

Electrical

Current - Maximum per Contact 8A
 Voltage - Maximum 600V

Material Info

Old Part Number 105001A01F150

Reference - Drawing Numbers

Sales Drawing SD-130006-017

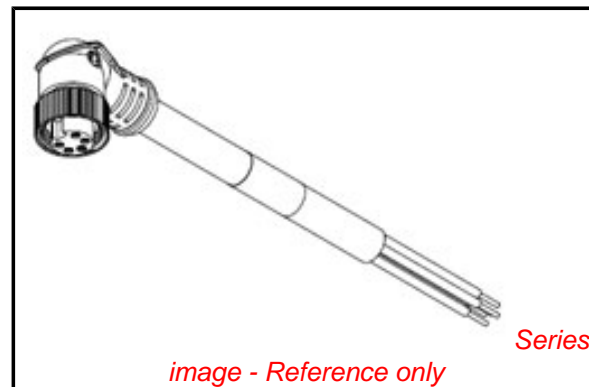


image - Reference only

EU RoHS

RoHS Compliant by Exemption
REACH SVHC
 Not Reviewed
Halogen-Free Status
Not Reviewed

China RoHS



Need more information on product environmental compliance?

Email productcompliance@molex.com
 For a multiple part number RoHS Certificate of Compliance, [click here](#)

Please visit the [Contact Us](#) section for any non-product compliance questions.

Search Parts in this Series
[130006Series](#)

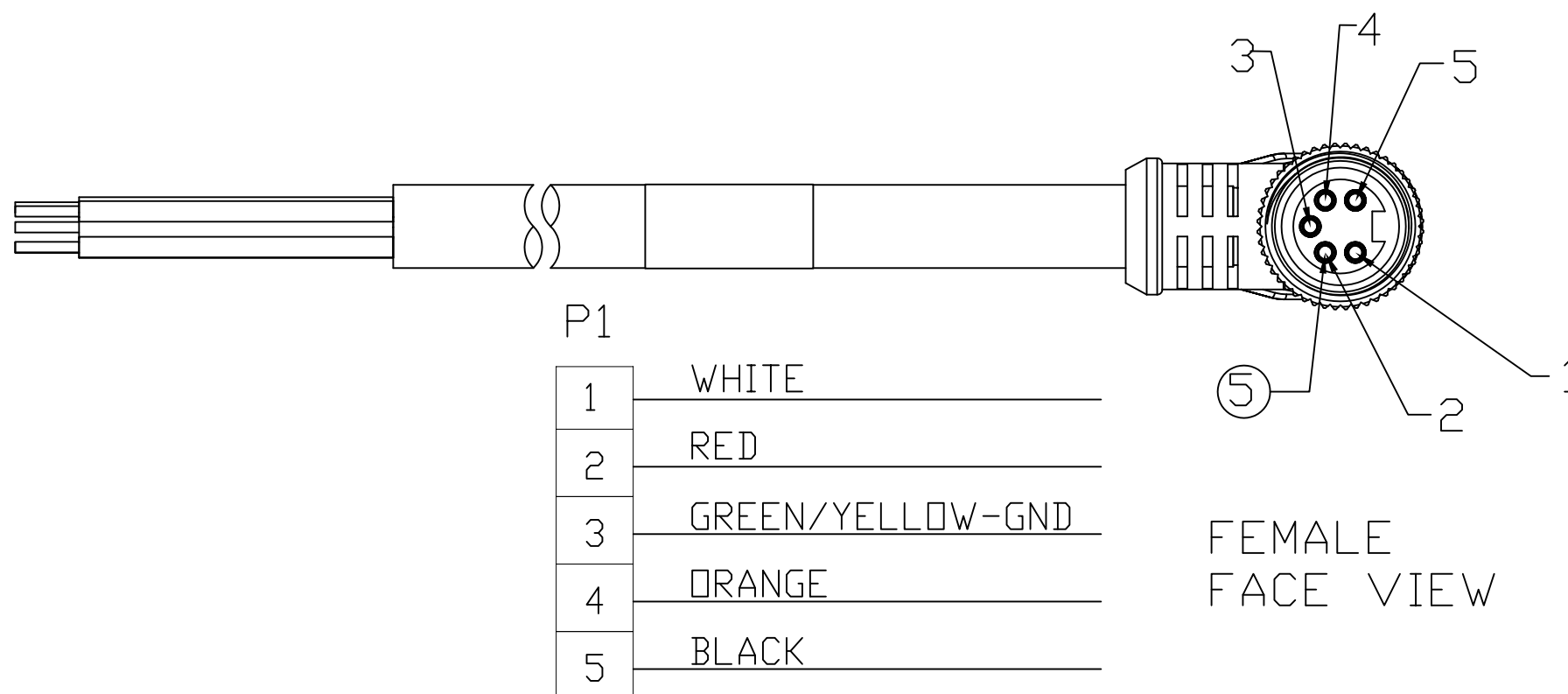
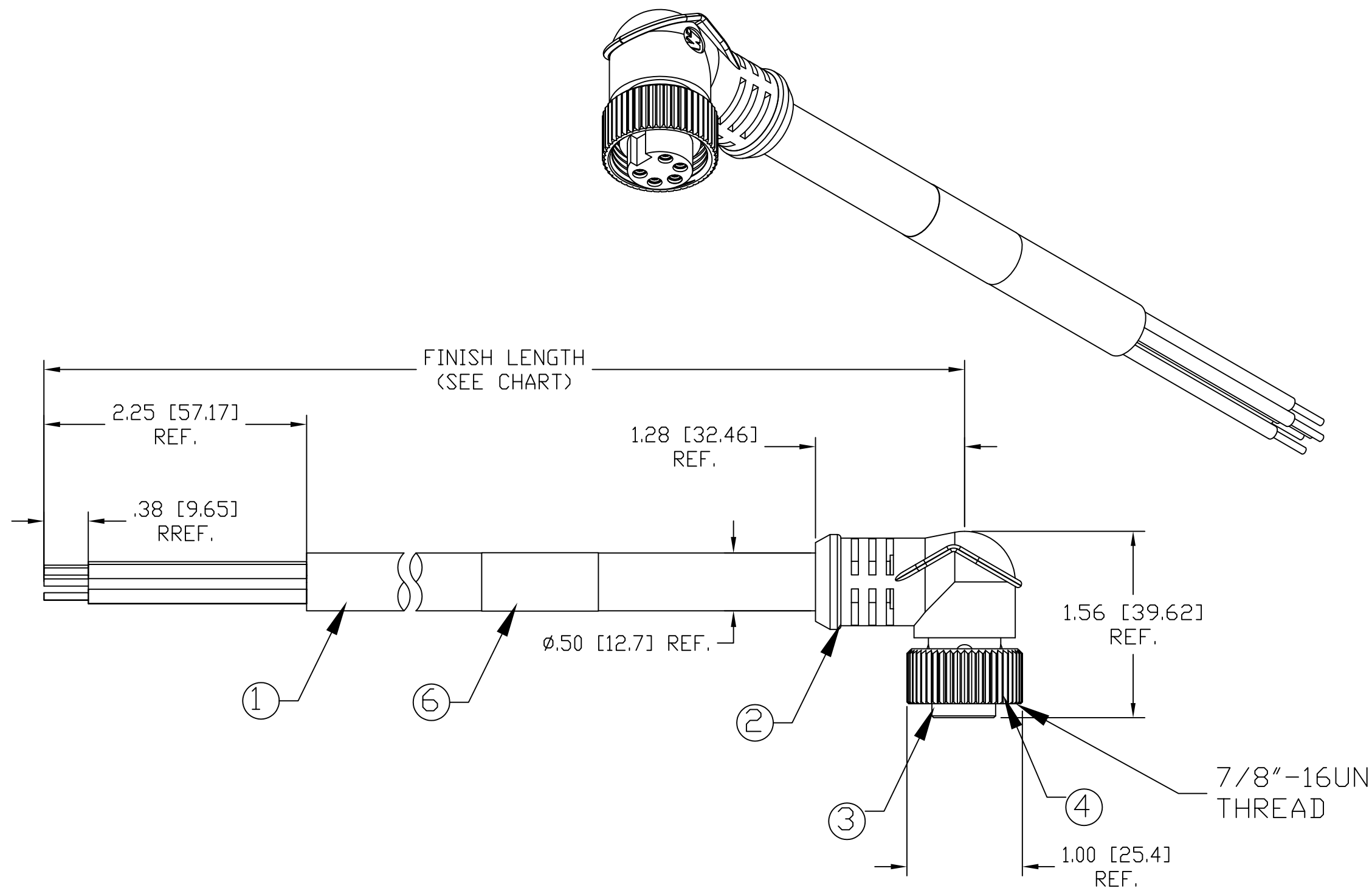
PLEASE CHECK WWW.MOLEX.COM FOR LATEST PART INFORMATION

13	12	11	10	9	8	7	6	5	4	3	2	1
PART NUMBER	ENGINEERING NUMBER	FINISH LENGTH										
1300061346	105001A01F030	3.00' +1.75" -0 [.9M +44.5 -0]										
1300061349	105001A01F060	6.00' +2.19" -0 [1.8M +55.6 -0]										
1300061353	105001A01F120	12.00' +3.50" -0 [3.7M +88.9 -0]										
1300061356	105001A01F150	15.00' +6.50" -0 [4.6M +165.1 -0]										
1300061360	105001A01F200	20.00' +6.50" -0 [6.1M +165.1 -0]										
1300061364	105001A01F250	25.00' +12.50" -0 [7.6M +317.5 -0]										
1300061367	105001A01F300	30.00' +12.50" -0 [9.1M +317.5 -0]										

NOTE

- 1) MATERIAL: SEE TABLE
- 2) FINISHES: SEE TABLE
- 3) WRAP LABEL IS MARKED WITH P/N, DATE CODE, VOLTAGE & AMPERAGE
- 4) MATES WITH: MINI CHANGE, 5 POLE RECEPTACLE
- 5) ELECTRICAL DATA:
 INLINE CORDSET
 FEMALE A-SIZE WITH FLYING LEADS
 16AWG UNSHIELDED
 POLES: 5
 MAX. VOLTAGE: 600V
 MAX. CURRENT 8A
 PROTECTION IP67
 TEMPERATURE RANGE: -20°C TO 105°C
- 6) PACKAGING:
 CABLE ASSEMBLIES ARE BAGGED SEPERATELY
 IN POLY BAGS WITH BAR CODE LABEL ATTACHED
 TO OUTSIDE OF BAG.
- 7) ASSEMBLY IS RoHS COMPLIANT.
- 8) CERTIFICATION
 UL RECOGNIZED, FILE NO. E152210
 CSA CERTIFIED, FILE NO. LR6837

ITEM	QTY.	DESCRIPTION	MATERIAL	FINISH
6	1	LABEL	PLASTIC FILM	BLACK/YELLOW
5	5	CONTACT SOCKET	COPPER ALLOY	GOLD PLATED
4	1	INSERT	PVC	YELLOW
3	1	COUPLING NUT	ZINC DIE CAST	BLACK E-COATED
2	1	OVERMOLD	PVC	YELLOW
1	1	CABLE, 16AWG-5 TYPE STOOD	PVC	YELLOW



WIRING DIAGRAM

RELEASE EC NO: WNA2010-0397 DRWN: BWOODMAN 12/22/09 CH'KD: --- APPR: JFMURPHY 2010/01/05	DESCRIPTION REV	QUALITY SYMBOL ▽=0 ▽=0	GENERAL TOLERANCES (UNLESS SPECIFIED) <table border="1"> <thead> <tr> <th></th> <th>mm</th> <th>INCH</th> </tr> </thead> <tbody> <tr> <td>4 PLACES</td> <td>±---</td> <td>±---</td> </tr> <tr> <td>3 PLACES</td> <td>±.005</td> <td>±.005</td> </tr> <tr> <td>2 PLACES</td> <td>±.013</td> <td>±.010</td> </tr> <tr> <td>1 PLACE</td> <td>±.025</td> <td>±.020</td> </tr> </tbody> </table>		mm	INCH	4 PLACES	±---	±---	3 PLACES	±.005	±.005	2 PLACES	±.013	±.010	1 PLACE	±.025	±.020	DIMENSION STYLE IN/MM	SCALE 1:1 DESIGN UNITS INCH THIRD ANGLE PROJECTION
			mm	INCH																
		4 PLACES	±---	±---																
		3 PLACES	±.005	±.005																
2 PLACES	±.013	±.010																		
1 PLACE	±.025	±.020																		
DRAFT WHERE APPLICABLE MUST REMAIN WITHIN DIMENSIONS			DRAWN BY DATE TWOLDEGE 2009/07/29	TITLE MINI CHANGE ASSEMBLY 5-POLE FEMALE 90D 16/5AWG PVC																
ANGULAR ±1/2°			CHECKED BY DATE BWOODMAN 2009/07/29	MOLEX INCORPORATED																
MATERIAL NO. SEE CHART			APPROVED BY DATE JFMURPHY 2010/01/05	DOCUMENT NO. SD-130006-017	SHEET NO. 1 OF 1															

THIS DRAWING CONTAINS INFORMATION THAT IS PROPRIETARY TO MOLEX INCORPORATED AND SHOULD NOT BE USED WITHOUT WRITTEN PERMISSION