

## Shape

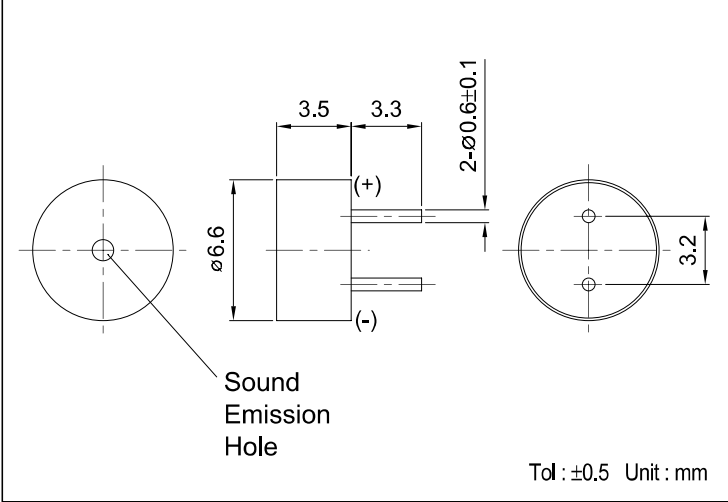
**KC-0601**

**New**



| Model Number                                 | KC-0601                   |
|--|---------------------------|
| Rated Voltage (Vo-p)                         | 1.5                       |
| Operating Voltage Range (Vo-p)               | 1.0 ~ 1.7                 |
| Current Consumption (mA)                     | Max. 80                   |
| Coil Resistance ( $\Omega$ )                 | $6.0 \pm 1.0$             |
| Sound Pressure Level (dBA)                   | Min. 70 (Typical 77)@10cm |
| Rated Frequency (Hz)                         | 3000                      |
| Operating Temperature ( $^{\circ}\text{C}$ ) | -20 ~ +60                 |
| Storage Temperature ( $^{\circ}\text{C}$ )   | -30 ~ +70                 |
| Weight (Gram)                                | 0.6                       |
| Material                                     | PPO                       |

## Dimension



## Characteristic

