

## Features

- One-time programmable (OTP) read-only memory designed to store configuration bitstreams of Xilinx FPGA devices
- Simple interface to the FPGA
- Cascadable for storing longer or multiple bitstreams
- Programmable reset polarity (active High or active Low) for compatibility with different FPGA solutions
- Low-power CMOS Floating Gate process
- 3.3V supply voltage

- Available in compact plastic packages: VQ44, PC44, PC20, VO8, and SO20
- Programming support by leading programmer manufacturers.
- Design support using the Xilinx Alliance and Foundation series software packages.
- Dual configuration modes for the XC17V16 and XC17V08 devices
  - Serial slow/fast configuration (up to 33 Mb/s)
  - Parallel (up to 264 Mb/s at 33 MHz)
- Guaranteed 20 year life data retention

## Description

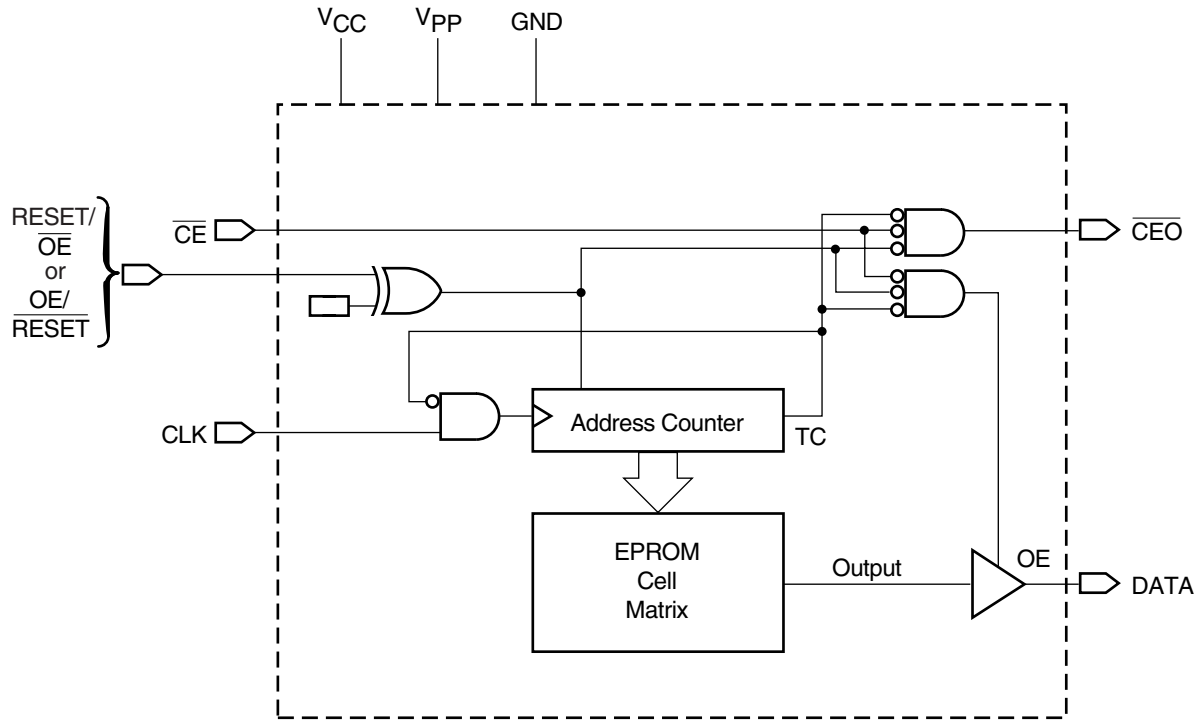
Xilinx introduces the high-density XC17V00 family of configuration PROMs which provide an easy-to-use, cost-effective method for storing large Xilinx FPGA configuration bitstreams. Initial devices in the 3.3V family are available in 16 Mb, 8 Mb, 4 Mb, 2 Mb, and 1 Mb densities. See [Figure 1](#) and [Figure 2](#) for simplified block diagrams of the XC17V00 family.

When the FPGA is in Master Serial mode, it generates a configuration clock that drives the PROM. A short access time after the rising clock edge, data appears on the PROM DATA output pin that is connected to the FPGA DIN pin. The FPGA generates the appropriate number of clock pulses to complete the configuration. Once configured, it disables the PROM. When the FPGA is in Slave Serial mode, the PROM and the FPGA must both be clocked by an incoming signal.

When the FPGA is in SelectMAP mode, an external oscillator will generate the configuration clock that drives the PROM and the FPGA. After the rising CCLK edge, data are available on the PROMs DATA (D0-D7) pins. The data will be clocked into the FPGA on the following rising edge of the CCLK. A free-running oscillator may be used to drive CCLK. See [Figure 3](#).

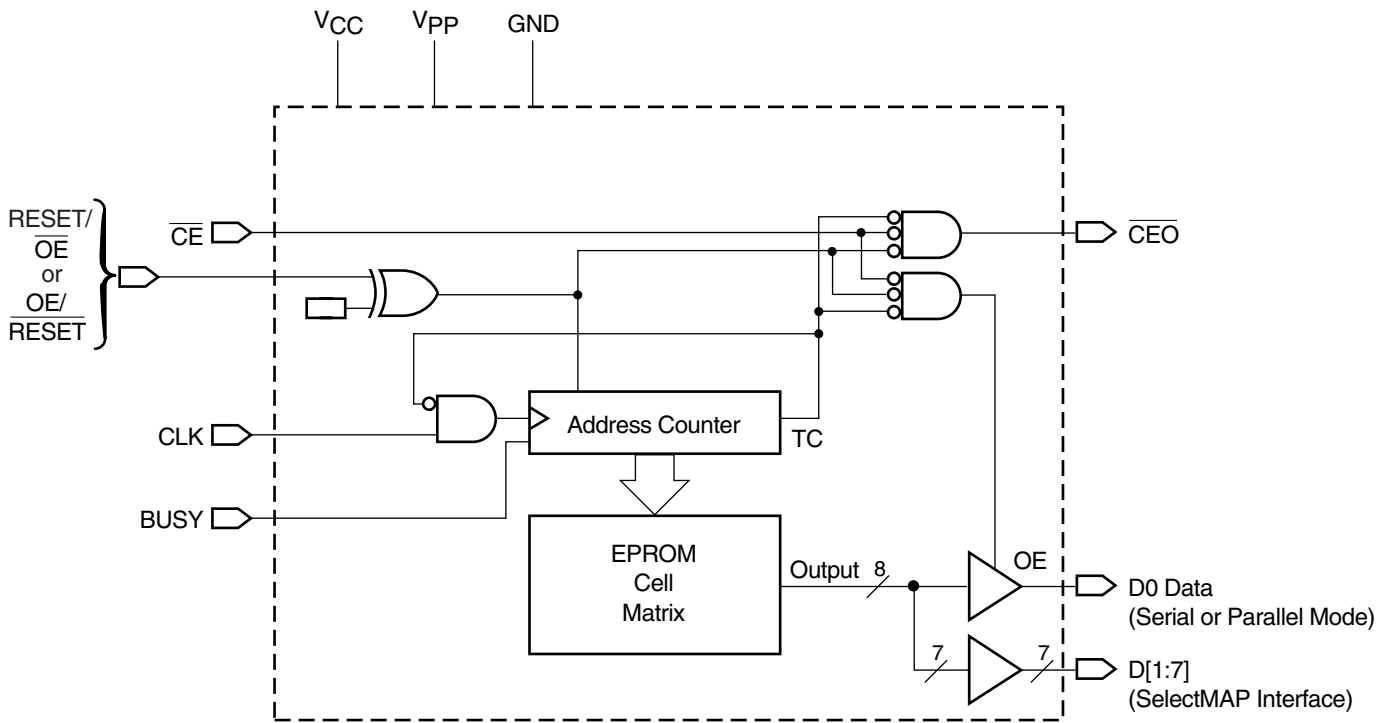
Multiple devices can be concatenated by using the  $\overline{CEO}$  output to drive the  $\overline{CE}$  input of the following device. The clock inputs and the DATA outputs of all PROMs in this chain are interconnected. All devices are compatible and can be cascaded with other members of the family.

For device programming, either the Xilinx Alliance or Foundation series development system compiles the FPGA design file into a standard Hex format, which is then transferred to most commercial PROM programmers.



DS073\_01\_072600

Figure 1: Simplified Block Diagram for XC17V04, XC17V02, and XC17V01 (does not show programming circuit)



DS073\_02\_072600

Figure 2: Simplified Block Diagram for XC17V16 and XC17V08 (does not show programming circuit)

## Pin Description

### DATA[0:7]

Data output is in a high-impedance state when either  $\overline{CE}$  or  $\overline{OE}$  are inactive. During programming, the D0 pin is I/O. Note that  $\overline{OE}$  can be programmed to be either active High or active Low.

**Note:** XC17V04, XC17V02, and XC17V01 have serial output only.

### CLK

Each rising edge on the CLK input increments the internal address counter, if both  $\overline{CE}$  and  $\overline{OE}$  are active.

### RESET/ $\overline{OE}$

When High, this input holds the address counter reset and puts the DATA output in a high-impedance state. The polarity of this input pin is programmable as either RESET/ $\overline{OE}$  or  $\overline{OE}$ /RESET. To avoid confusion, this document describes the pin as RESET/ $\overline{OE}$ , although the opposite polarity is possible on all devices. When RESET is active, the address counter is held at "0", and puts the DATA output in a high-impedance state. The polarity of this input is programmable. The default is active High RESET, but the preferred option is active Low RESET, because it can be connected to the FPGAs INIT pin and a pullup resistor.

The polarity of this pin is controlled in the programmer interface. This input pin is easily inverted using the Xilinx HW-130 Programmer. Third-party programmers have different methods to invert this pin.

### $\overline{CE}$

When High, this pin disables the internal address counter, puts the DATA output in a high-impedance state, and forces the device into low- $I_{CC}$  standby mode.

### $\overline{CEO}$

Chip Enable output, to be connected to the  $\overline{CE}$  input of the next PROM in the daisy chain. This output is Low when the  $\overline{CE}$  and  $\overline{OE}$  inputs are both active AND the internal address counter has been incremented beyond its Terminal Count (TC) value. In other words: when the PROM has been read,  $\overline{CEO}$  will follow  $\overline{CE}$  as long as  $\overline{OE}$  is active. When  $\overline{OE}$  goes inactive,  $\overline{CEO}$  stays High until the PROM is reset. Note that  $\overline{OE}$  can be programmed to be either active High or active Low.

## BUSY (XC17V16 and XC17V08 only)

If BUSY pin is floating, the user must program the BUSY bit which will cause BUSY pin to be internally tied to a pull-down resistor. When asserted High, output data are held and when BUSY pin goes Low, data output will resume.

### $V_{PP}$

Programming voltage. No overshoot above the specified max voltage is permitted on this pin. For normal read operation, this pin must be connected to  $V_{CC}$ . Failure to do so may lead to unpredictable, temperature-dependent operation and severe problems in circuit debugging. Do not leave  $V_{PP}$  floating!

### $V_{CC}$ and GND

Positive supply and ground pins.

## PROM Pinouts for XC17V16 and XC17V08

(Pins not listed are "no connect")

Pin Name	44-pin VQFP	44-pin PLCC
BUSY	24	30
D0	40	2
D1	29	35
D2	42	4
D3	27	33
D4	9	15
D5	25	31
D6	14	20
D7	19	25
CLK	43	5
RESET/ $\overline{OE}$ ( $\overline{OE}$ /RESET)	13	19
$\overline{CE}$	15	21
GND	6, 18, 28, 37, 41	3, 12, 24, 34, 43
$\overline{CEO}$	21	27
$V_{PP}$	35	41
$V_{CC}$	8, 16, 17, 26, 36, 38	14, 22, 23, 32, 42, 44

## Capacity

Devices	Configuration Bits
XC17V16	16,777,216
XC17V08	8,388,608

## PROM Pinouts for XC17V04, XC17V02, and XC17V01 (Pins not listed are “no connect”)

Pin Name	8-pi VOIC (1)	20-pin SOIC (1)	20-pin PLCC (1,2)	44-pin VQFP (2)	44-pin PLCC (2)
DATA	1	1	1	40	2
CLK	2	3	3	43	5
RESET/ $\overline{OE}$ ( $\overline{OE}/\overline{RESET}$ )	3	8	8	13	19
$\overline{CE}$	4	10	10	15	21
GND	5	11	11	18, 41	24, 3
$\overline{CEO}$	6	13	13	21	27
V <sub>PP</sub>	7	18	18	35	41
V <sub>CC</sub>	8	20	20	38	44

### Notes:

- XC17V01 available in these packages.
- XC17V02 and XC17V04 available in these packages.

## Capacity

Devices	Configuration Bits
XC17V04	4,194,304
XC17V02	2,097,152
XC17V01	1,679,360

## Xilinx FPGAs and Compatible PROMs

Device	Configuration Bits	PROM
XC2V40	360,160	XC17V01
XC2V80	635,360	XC17V01
XC2V250	1,697,248	XC17V02
XC2V500	2,761,952	XC17V04
XC2V1000	4,082,656	XC17V04
XC2V1500	5,659,360	XC17V08
XC2V2000	7,492,064	XC17V08
XC2V3000	10,494,432	XC17V16
XC2V4000	15,660,000	XC17V16
XC2V6000	21,849,568	XC17V16 + XC17V08
XC2V8000	29,063,072	2 of XC17V16
XCV50	559,200	XC17V01
XCV100	781,216	XC17V01
XCV150	1,040,096	XC17V01
XCV200	1,335,840	XC17V01
XCV300	1,751,808	XC17V02

## Xilinx FPGAs and Compatible PROMs

Device	Configuration Bits	PROM
XCV400	2,546,048	XC17V04
XCV600	3,607,968	XC17V04
XCV800	4,715,616	XC17V08
XCV1000	6,127,744	XC17V08
XCV50E	630,048	XC17V01
XCV100E	863,840	XC17V01
XCV200E	1,442,106	XC17V01
XCV300E	1,875,648	XC17V02
XCV400E	2,693,440	XC17V04
XCV405E	3,430,400	XC17V04
XCV600E	3,961,632	XC17V04
XCV812E	6,519,648	XC17V08
XCV1000E	6,587,520	XC17V08
XCV1600E	8,308,992	XC17V08
XCV2000E	10,159,648	XC17V16
XCV2600E	12,922,336	XC17V16
XCV3200E	16,283,712	XC17V16

### Notes:

- The suggested PROM is determined by compatibility with the higher configuration frequency of the Xilinx FPGA CCLK.

## Controlling PROMs

Connecting the FPGA device with the PROM.

- The DATA output(s) of the PROM(s) drives the D<sub>IN</sub> input of the lead FPGA device.
- The Master FPGA CCLK output drives the CLK input(s) of the PROM(s).
- The  $\overline{CEO}$  output of a PROM drives the  $\overline{CE}$  input of the next PROM in a daisy chain (if any).
- The  $\overline{RESET}/\overline{OE}$  input of all PROMs is best driven by the  $\overline{INIT}$  output of the lead FPGA device. This connection assures that the PROM address counter is reset before the start of any (re)configuration, even when a reconfiguration is initiated by a V<sub>CC</sub> glitch.
- The PROM  $\overline{CE}$  input is best connected to the FPGA DONE pin(s) and a pullup resistor.  $\overline{CE}$  can also be permanently tied Low, but this keeps the DATA output active and causes an unnecessary supply current of 15 mA maximum.
- SelectMAP mode is similar to Slave Serial mode. The DATA is clocked out of the PROM one byte per CCLK instead of one bit per CCLK cycle. See FPGA data sheets for special configuration requirements.

## FPGA Master Serial Mode Summary

The I/O and logic functions of the Configurable Logic Block (CLB) and their associated interconnections are established by a configuration program. The program is loaded either automatically upon power up, or on command, depending on the state of the three FPGA mode pins. In Master Serial mode, the FPGA automatically loads the configuration program from an external memory. The Xilinx PROMs have been designed for compatibility with the Master Serial mode.

Upon power-up or reconfiguration, an FPGA enters the Master Serial mode whenever all three of the FPGA mode-select pins are Low ( $M0=0$ ,  $M1=0$ ,  $M2=0$ ). Data is read from the PROM sequentially on a single data line. Synchronization is provided by the rising edge of the temporary signal CCLK, which is generated during configuration.

Master Serial Mode provides a simple configuration interface. Only a serial data line, two control lines, and a clock line are required to configure an FPGA. Data from the PROM is read sequentially, accessed via the internal

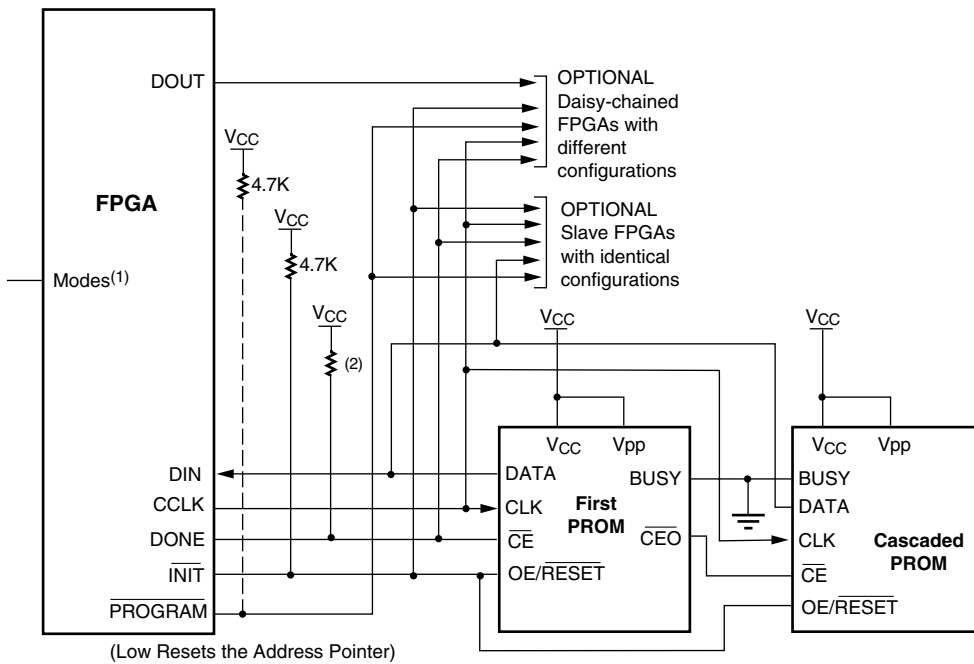
address and bit counters which are incremented on every valid rising edge of CCLK.

If the user-programmable, dual-function DIN pin on the FPGA is used only for configuration, it must still be held at a defined level during normal operation. The Xilinx FPGA families take care of this automatically with an on-chip default pull-up/down resistor or keeper circuit.

## Cascading Configuration PROMs

For multiple FPGAs configured as a daisy-chain, or for future FPGAs requiring larger configuration memories, cascaded PROMs provide additional memory. After the last bit from the first PROM is read, the next clock signal to the PROM asserts its  $\overline{CE0}$  output Low and disables its DATA line. The second PROM recognizes the Low level on its  $\overline{CE}$  input and enables its DATA output. See [Figure 3](#).

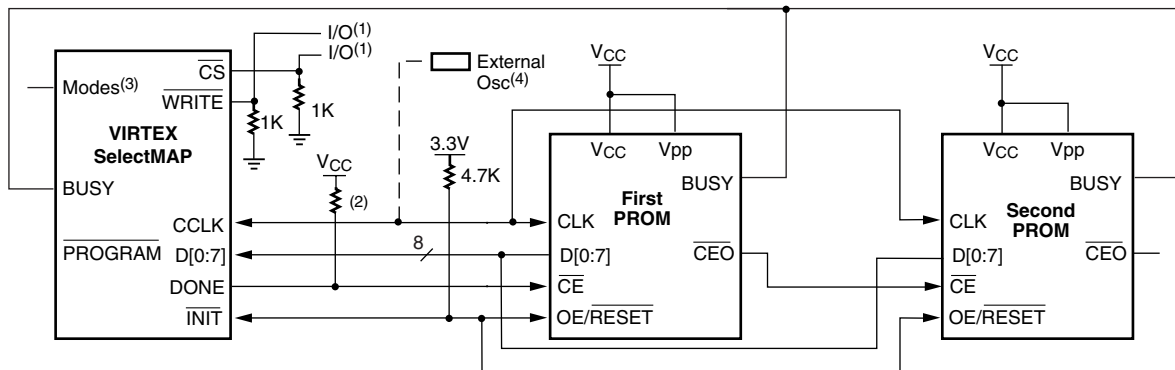
After configuration is complete, the address counters of all cascaded PROMs are reset if the FPGA  $\overline{PROGRAM}$  pin goes Low, assuming the PROM reset polarity option has been inverted.



(Low Resets the Address Pointer)

- (1) For Mode pin connections, refer to the appropriate FPGA data sheet.
- (2) Virtex, Virtex-E is 300 ohms, all others are 4.7K.

**Master Serial Mode**



- (1) CS and WRITE must be pulled down to be used as I/O. One option is shown.
- (2) Virtex, Virtex-E is 300 ohms, all others are 4.7K.
- (3) For Mode pin connections, refer to the appropriate FPGA data sheet.
- (4) External oscillator required for Virtex/E SelectMAP or Virtex-II slave SelectMAP modes.

**Virtex SelectMAP Mode, XC17V16 and XC17V08 only.**

DS073\_03\_100901

Figure 3: (a) Master Serial Mode (b) Virtex SelectMAP Mode  
(dotted lines indicates optional connection)

## Standby Mode

The PROM enters a low-power standby mode whenever  $\overline{CE}$  is asserted High. The output remains in a high impedance state regardless of the state of the  $\overline{OE}$  input.

## Programming

The devices can be programmed on programmers supplied by Xilinx or qualified third-party vendors. The user must ensure that the appropriate programming algorithm and the latest version of the programmer software are used. The wrong choice can permanently damage the device.

Table 1: Truth Table for XC17V00 Control Inputs

Control Inputs		Internal Address	Outputs		
RESET	CE		DATA	CEO	I <sub>CC</sub>
Inactive	Low	If address $\leq$ TC <sup>(1)</sup> : increment If address $>$ TC <sup>(1)</sup> : don't change	Active High-Z	High Low	Active Reduced
Active	Low	Held reset	High-Z	High	Active
Inactive	High	Not changing	High-Z	High	Standby
Active	High	Held reset	High-Z	High	Standby

### Notes:

- The XC17V00 RESET input has programmable polarity
- TC = Terminal Count = highest address value. TC + 1 = address 0.

## Absolute Maximum Ratings

Symbol	Description	Conditions	Units
$V_{CC}$	Supply voltage relative to GND	-0.5 to +7.0	V
$V_{PP}$	Supply voltage relative to GND	-0.5 to +12.5	V
$V_{IN}$	Input voltage relative to GND	-0.5 to $V_{CC} + 0.5$	V
$V_{TS}$	Voltage applied to High-Z output	-0.5 to $V_{CC} + 0.5$	V
$T_{STG}$	Storage temperature (ambient)	-65 to +150	°C
$T_{SOL}$	Maximum soldering temperature (10s @ 1/16 in.)	+260	°C

### Notes:

- Stresses beyond those listed under Absolute Maximum Ratings may cause permanent damage to the device. These are stress ratings only, and functional operation of the device at these or any other conditions beyond those listed under Operating Conditions is not implied. Exposure to Absolute Maximum Ratings conditions for extended periods of time may affect device reliability.

## Operating Conditions (3V Supply)

Symbol	Description	Min	Max	Units	
$V_{CC}^{(1)}$	Supply voltage relative to GND ( $T_A = 0^\circ\text{C}$ to $+70^\circ\text{C}$ )	Commercial	3.0	3.6	V
	Supply voltage relative to GND ( $T_A = -40^\circ\text{C}$ to $+85^\circ\text{C}$ )	Industrial	3.0	3.6	V
$T_{VCC}$	$V_{CC}$ rise time from 0V to nominal voltage	1.0	50	ms	

### Notes:

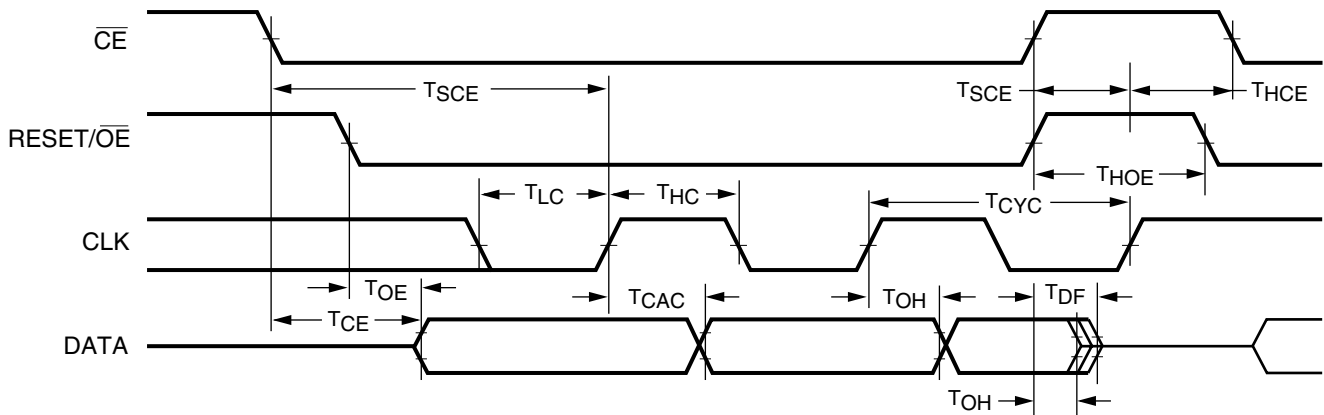
- During normal read operation  $V_{PP}$  **must** be connected to  $V_{CC}$ .
- At power up, the device requires the  $V_{CC}$  power supply to monotonically rise from 0V to nominal voltage within the specified  $V_{CC}$  rise time. If the power supply cannot meet this requirement, then the device may not power-on-reset properly.

## DC Characteristics Over Operating Condition

Symbol	Description	Min	Max	Units
$V_{IH}$	High-level input voltage	2	$V_{CC}$	V
$V_{IL}$	Low-level input voltage	0	0.8	V
$V_{OH}$	High-level output voltage ( $I_{OH} = -3$ mA)	2.4	-	V
$V_{OL}$	Low-level output voltage ( $I_{OL} = +3$ mA)	-	0.4	V
$I_{CCA}$	Supply current, active mode (at maximum frequency) <b>(XC17V16 and XC17V08 only)</b>	-	100	mA
$I_{CCA}$	Supply current, active mode (at maximum frequency) <b>(XC17V04, XC17V02, and XC17V01 only)</b>	-	15	mA
$I_{CCS}$	Supply current, standby mode	-	1	mA
$I_L$	Input or output leakage current	-10	10	$\mu\text{A}$
$C_{IN}$	Input capacitance ( $V_{IN} = \text{GND}$ , $f = 1.0$ MHz)	-	15	pF
$C_{OUT}$	Output capacitance ( $V_{IN} = \text{GND}$ , $f = 1.0$ MHz)	-	15	pF



## AC Characteristics Over Operating Condition for XC17V04, XC17V02, and XC17V01



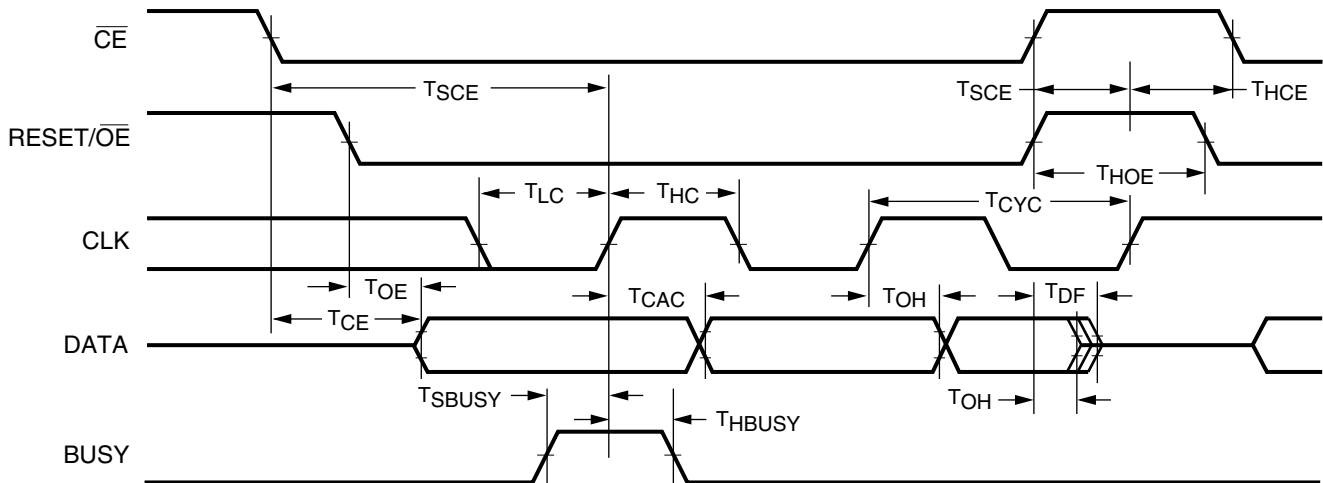
DS073\_04\_072600

Symbol	Description	Min	Max	Units
$T_{OE}$	$\overline{OE}$ to data delay	-	30	ns
$T_{CE}$	$\overline{CE}$ to data delay	-	45	ns
$T_{CAC}$	CLK to data delay	-	45	ns
$T_{DF}$	$\overline{CE}$ or $\overline{OE}$ to data float delay <sup>(2,3)</sup>	-	50	ns
$T_{OH}$	Data hold from $\overline{CE}$ , $\overline{OE}$ , or CLK <sup>(3)</sup>	0	-	ns
$T_{CYC}$	Clock periods	67	-	ns
$T_{LC}$	CLK Low time <sup>(3)</sup>	25	-	ns
$T_{HC}$	CLK High time <sup>(3)</sup>	25	-	ns
$T_{SCE}$	$\overline{CE}$ setup time to CLK (to guarantee proper counting)	25	-	ns
$T_{HCE}$	$\overline{CE}$ hold time to CLK (to guarantee proper counting)	0	-	ns
$T_{HOE}$	$\overline{OE}$ hold time (guarantees counters are reset)	25	-	ns

**Notes:**

1. AC test load = 50 pF.
2. Float delays are measured with 5 pF AC loads. Transition is measured at  $\pm 200$  mV from steady state active levels.
3. Guaranteed by design, not tested.
4. All AC parameters are measured with  $V_{IL} = 0.0V$  and  $V_{IH} = 3.0V$ .

## AC Characteristics Over Operating Condition for XC17V16 and XC17V08



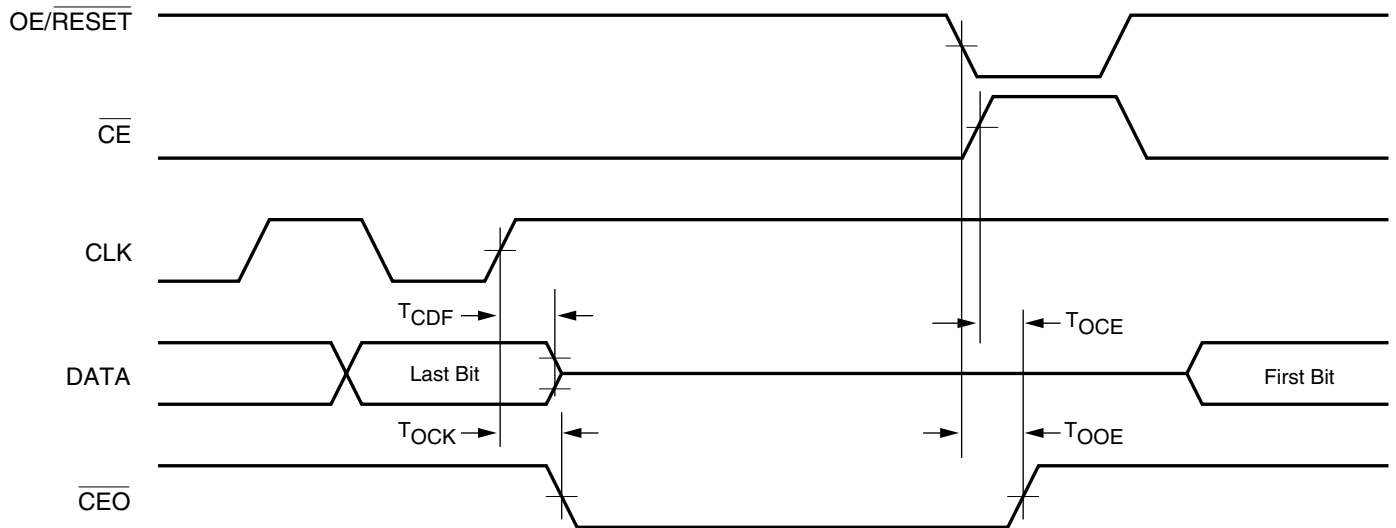
DS073\_05\_072600

Symbol	Description	Min	Max	Units
$T_{OE}$	$\overline{OE}$ to data delay	-	15	ns
$T_{CE}$	$\overline{CE}$ to data delay	-	20	ns
$T_{CAC}$	CLK to data delay <sup>(2)</sup>	-	20	ns
$T_{DF}$	$\overline{CE}$ or $\overline{OE}$ to data float delay <sup>(3,4)</sup>	-	35	ns
$T_{OH}$	Data hold from $\overline{CE}$ , $\overline{OE}$ , or CLK <sup>(4)</sup>	0	-	ns
$T_{CYC}$	Clock periods	50	-	ns
$T_{LC}$	CLK Low time <sup>(4)</sup>	25	-	ns
$T_{HC}$	CLK High time <sup>(4)</sup>	25	-	ns
$T_{SCE}$	$\overline{CE}$ setup time to CLK (to guarantee proper counting)	25	-	ns
$T_{HCE}$	$\overline{CE}$ hold time to CLK (to guarantee proper counting)	0	-	ns
$T_{HOE}$	$\overline{OE}$ hold time (guarantees counters are reset)	25	-	ns
$T_{SBUSY}$	BUSY setup time	5	-	ns
$T_{HBUSY}$	BUSY hold time	5	-	ns

### Notes:

1. AC test load = 50 pF.
2. When BUSY = 0.
3. Float delays are measured with 5 pF AC loads. Transition is measured at  $\pm 200$  mV from steady state active levels.
4. Guaranteed by design, not tested.
5. All AC parameters are measured with  $V_{IL} = 0.0V$  and  $V_{IH} = 3.0V$ .

## AC Characteristics Over Operating Condition When Cascading



DS026\_07\_020300

Symbol	Description	Min	Max	Units
T <sub>CDF</sub>	CLK to data float delay <sup>(2,3)</sup>	-	50	ns
T <sub>OCK</sub>	CLK to $\overline{CEO}$ delay <sup>(3)</sup>	-	30	ns
T <sub>OCE</sub>	CE to $\overline{CEO}$ delay <sup>(3)</sup>	-	35	ns
T <sub>OOE</sub>	RESET/ $\overline{OE}$ to $\overline{CEO}$ delay <sup>(3)</sup>	-	30	ns

**Notes:**

1. AC test load = 50 pF
2. Float delays are measured with 5 pF AC loads. Transition is measured at ±200 mV from steady state active levels.
3. Guaranteed by design, not tested.
4. All AC parameters are measured with V<sub>IL</sub> = 0.0V and V<sub>IH</sub> = 3.0V.

## Ordering Information

<b>XC17V16 PC44 C</b>		
<b>Device Number</b> XC17V16 XC17V08 XC17V04 XC17V02 XC17V01	<b>Package Type</b> VQ44 = 44-pin Plastic Quad Flat Package PC44 = 44-pin Plastic Chip Carrier V08 = 8-pin Plastic Small Outline Thin Package PC20 = 20-pin Plastic Leaded Chip Carrier SO20 = 20-pin Plastic Small Outline Package	<b>Operating Range/Processing</b> C = Commercial ( $T_A = 0^\circ$ to $+70^\circ\text{C}$ ) I = Industrial ( $T_A = -40^\circ$ to $+85^\circ\text{C}$ )

## Valid Ordering Combinations

XC17V16VQ44C	XC17V08VQ44C	XC17V04PC20C	XC17V02PC20C	XC17V01PC20C
XC17V16PC44C	XC17V08PC44C	XC17V04PC44C	XC17V02PC44C	XC17V01VO8C
XC17V16VQ44I	XC17V08VQ44I	XC17V04VQ44C	XC17V02VQ44C	XC17V01SO20C
XC17V16PC44I	XC17V08PC44I	XC17V04PC20I	XC17V02PC20I	XC17V01PC20I
		XC17V04PC44I	XC17V02PC44I	XC17V01VO8I
		XC17V04VQ44I	XC17V02VQ44I	XC17V01SO20I

## Marking Information

Due to the small size of the commercial serial PROM packages, the complete ordering part number cannot be marked on the package. The XC prefix is deleted and the package code is simplified. Device marking is as follows:

<b>XC17V16 PC44 C</b>		
<b>Device Number</b> XC17V16 XC17V08 XC17V04 XC17V02 XC17V01	<b>Package Type</b> VQ44 = 44-pin Plastic Quad Flat Package PC44 = 44-pin Plastic Chip Carrier V08 = 8-pin Plastic Small Outline Thin Package PC20 = 20-pin Plastic Leaded Chip Carrier SO20 = 20-pin Plastic Small Outline Package	<b>Operating Range/Processing</b> C = Commercial ( $T_A = 0^\circ$ to $+70^\circ\text{C}$ ) I = Industrial ( $T_A = -40^\circ$ to $+85^\circ\text{C}$ )

## Revision History

The following table shows the revision history for this document.

Date	Version	Revision
07/26/00	1.0	Initial Xilinx release.
10/09/00	1.1	Updated 20-pin PLCC Pinouts.
11/16/00	1.2	Updated pinouts for XC17V16 and XC17V08, $I_{CCA}$ DC Characteristic from standby to active mode; $C_{IN}$ and $C_{OUT}$ from 10 pF to 15 pF, added $I_{CCS}$ for XC17V16 and XC17V08 at 500 $\mu$ A.
02/20/01	1.3	Added note to pinouts for "no connect," updated Figure 3.
04/04/01	1.4	Added XC2V products to Compatible PROM table, updated Figure 3, updated text for Virtex-II FPGAs.
10/09/01	1.5	Corrected bitstream length for SCV405E, added power-on supply requirements and note for power-on reset, updated configuration bits for Virtex-II devices, removed $\bar{CF}$ from Figure 3, and updated FPGA list.