

PLEASE CHECK WWW.MOLEX.COM FOR LATEST PART INFORMATION

Part Number: [0877822009](#)
Status: **Active**
Description: 0.60mm (.024") Pitch miniDIMM DDR2 Socket, Vertical, SMT, 0.76µm (30µ") Gold (Au) over Nickel, 1.8V, with Pick and Place Cover, 244 Circuits, Type D Tray, Lead free

Documents:

[3D Model](#) [Product Specification PS-87782-027 \(PDF\)](#)
[Drawing \(PDF\)](#) [RoHS Certificate of Compliance \(PDF\)](#)

General

Product Family	Memory Module Sockets
Series	87782
Comments	Latches in Off-White ColorWith Cap
Component Type	Socket
JEDEC Outline	MO-244
Product Name	MiniDIMM

Physical

Circuits (Loaded)	244
Color - Resin	Black
Durability (mating cycles max)	25
Entry Angle	Vertical (Top Entry)
Keying to Mating Part	Yes
Material - Metal	Copper Alloy
Material - Plating Mating	Gold
Material - Plating Termination	Tin
Material - Resin	High Temperature Thermoplastic
PCB Locator	Yes
PCB Retention	Yes
Packaging Type	Tray
Pitch - Mating Interface (in)	0.024 In
Pitch - Mating Interface (mm)	0.60 mm
Pitch - Term. Interface (in)	0.024 In
Pitch - Term. Interface (mm)	0.60 mm
Plating min: Mating (µin)	30
Plating min: Mating (µm)	0.76
Plating min: Termination (µin)	100
Plating min: Termination (µm)	2.54
Temperature Range - Operating	-55°C to +85°C
Termination Interface: Style	Surface Mount

Electrical

Current - Maximum per Contact	1A
Voltage - Maximum	30V (RMS)
Voltage Key	1.8V

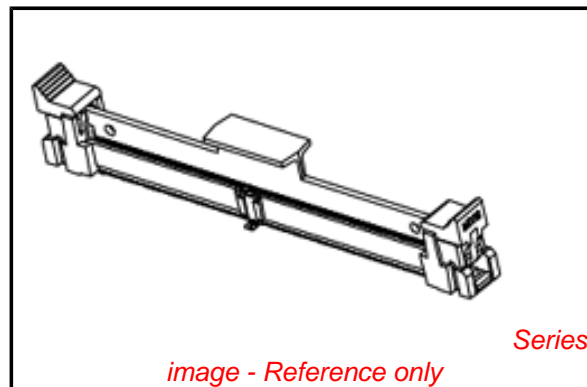
Solder Process Data

Duration at Max. Process Temperature (seconds)	5
Lead-free Process Capability	SMC & Wave Capable (TH only)
Max. Cycles at Max. Process Temperature	2
Process Temperature max. C	260

Material Info

Reference - Drawing Numbers

Application Specification	AS-87782-001
Product Specification	PS-87782-027



EU RoHS

ELV and RoHS Compliant
REACH SVHC
 Not Reviewed
Halogen-Free Status
Not Reviewed

China RoHS



Need more information on product environmental compliance?

Email productcompliance@molex.com
 For a multiple part number RoHS Certificate of Compliance, [click here](#)

Please visit the [Contact Us](#) section for any non-product compliance questions.

Search Parts in this Series

[87782Series](#)

Mates With

JEDEC MO-244 Modules

This document was generated on 05/20/2010

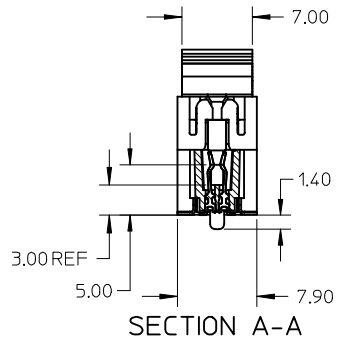
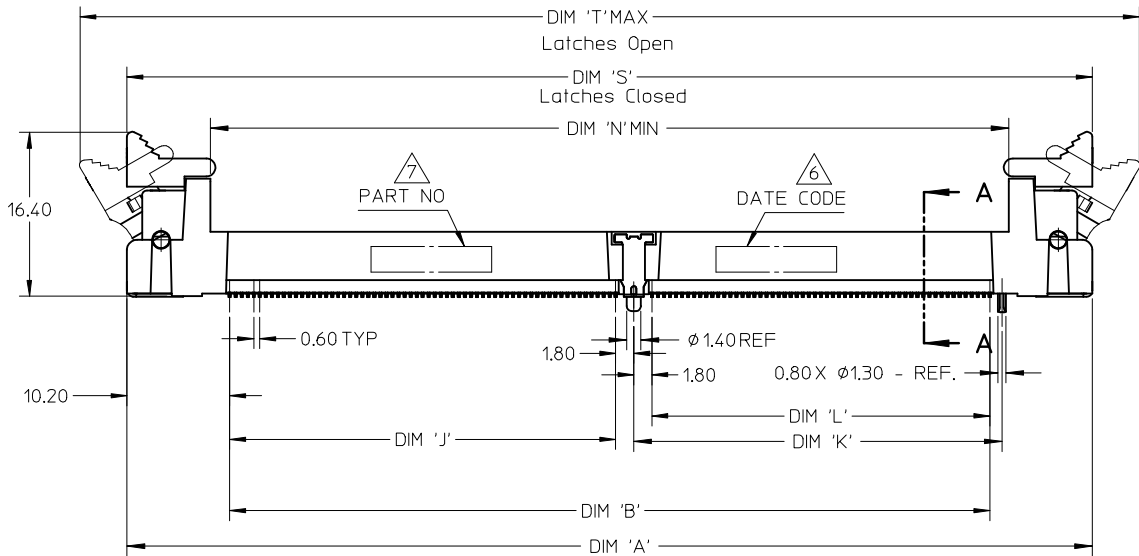
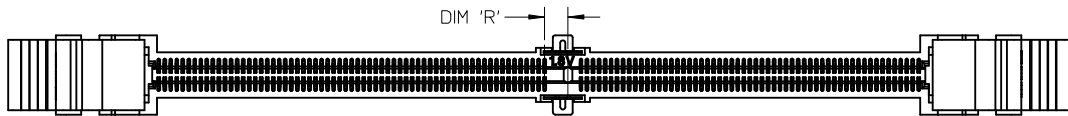
PLEASE CHECK WWW.MOLEX.COM FOR LATEST PART INFORMATION

NOTES :

1. MATERIAL :
 HOUSING : LIQUID CRYSTAL POLYMER, GLASS FILLED,
 UL 94V-0, COLOUR : BLACK
 CONTACTS : COPPER ALLOY
 LATCHES : HIGH TEMPERATURE NYLON, UL 94V-0
 COLOUR : NATURAL (OFF-WHITE)

2. FINISH
 CONTACT AREA : 0.76 MICROMETER (30 MICROINCH) MIN GOLD OVER
 1.25 MICROMETER (50 MICROINCH) MIN NICKEL
 SMT TAIL : 2.54 MICROMETER (100 MICROINCH) MIN TIN OVER
 1.25 MICROMETER (50 MICROINCH) MIN NICKEL.
 3. ACCEPTS 1.0 mm THICK MEMORY MODULE PER JEDEC MO-244
 FOR 244 CKTS AND MO-258 FOR 200 CKTS.
 4. PRODUCT SPECIFICATION : PS-87782-027
 5. PRODUCT SHALL BE PACKED IN TRAY. PLS REFER TO SHEET 5

6. DATE CODE SHALL BE MARKED LEGIBLY AS SHOWN : YYDD
 7. PART NUMBER SHALL BE MARKED LEGIBLY AS SHOWN.
 87782-XXXX (REFER TO TABLE)



NEW COVER EC NO: S2010-0004 DRWN: TARUNUGHAM 2009/08/12 CHKD: CGTAN 2009/08/12 APPR: SILENI 2009/08/17	DESCRIPTION	QUALITY SYMBOLS	GENERAL TOLERANCES (UNLESS SPECIFIED)		DIMENSION STYLE		SCALE	DESIGN UNITS	THIRD ANGLE PROJECTION	
		▽=0 ◻=0			MM ONLY		NTS	METRIC		
			mm	INCH	DRAWN BY	DATE	TITLE			
			4 PLACES ± ---	± ---	MLONG	2003/01/07	MINI DIMM, 0.60MM PITCH 200/244 CKTS, VERTICAL			
			3 PLACES ± ---	± ---	CHECKED BY	DATE	MOLEX INCORPORATED			
	2 PLACES ± 0.13	± ---	PTL IM	2003/07/16	MATERIAL NO. SKTOH 2003/07/17					
	1 PLACE ± 0.25	± ---	APPROVED BY	DATE	DOCUMENT NO. SD-87782-001					
	ANGULAR ± 1 °	DRAFT WHERE APPLICABLE MUST REMAIN WITHIN DIMENSIONS		SEE TABLE		SHEET NO. 1 OF 6				
				SIZE A3	THIS DRAWING CONTAINS INFORMATION THAT IS PROPRIETARY TO MOLEX INCORPORATED AND SHOULD NOT BE USED WITHOUT WRITTEN PERMISSION					

10 9 8 7 6 5 4 3 2 1

F

E

D

C

B

A

F

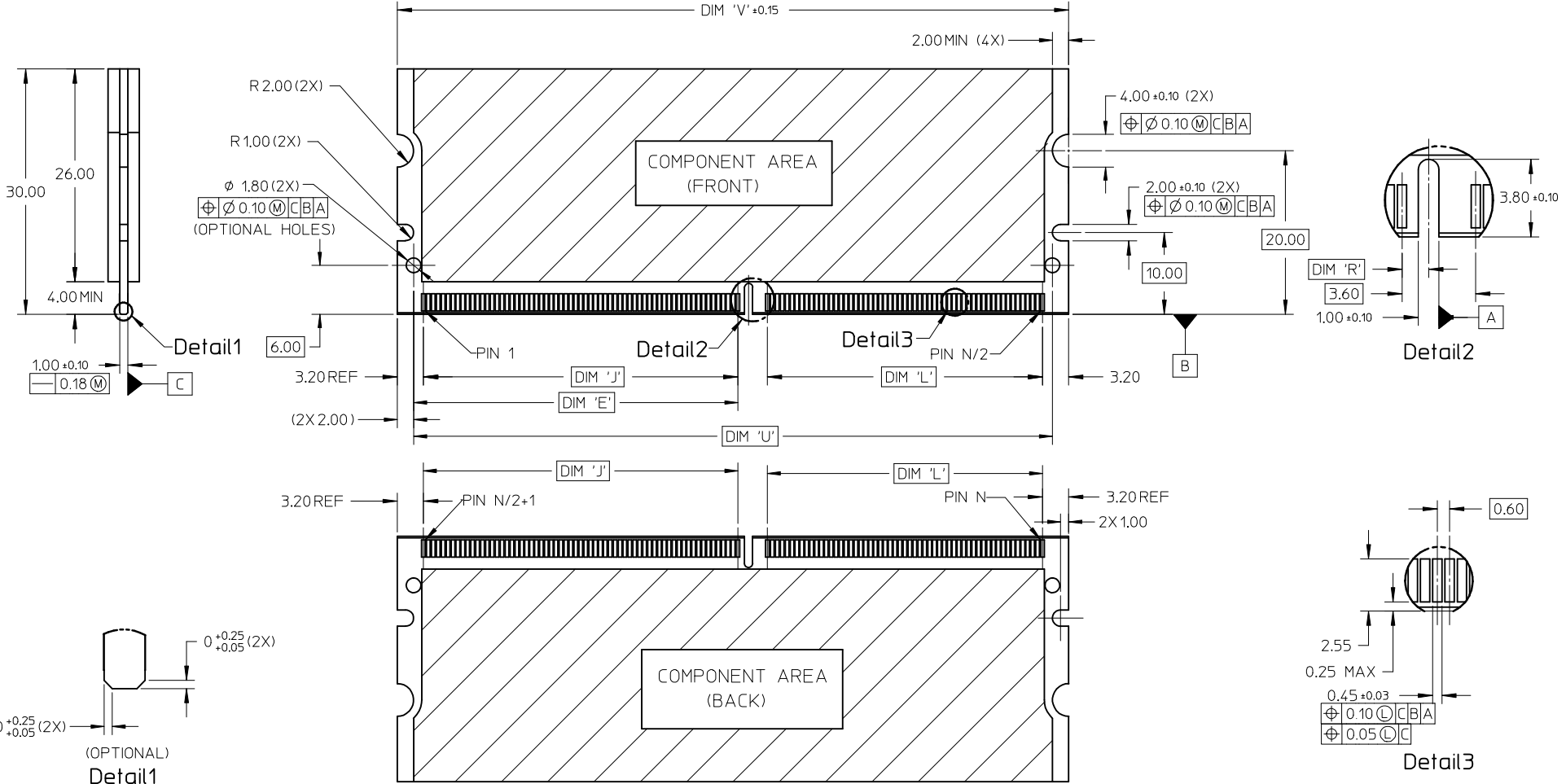
E

D

C

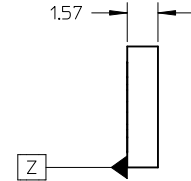
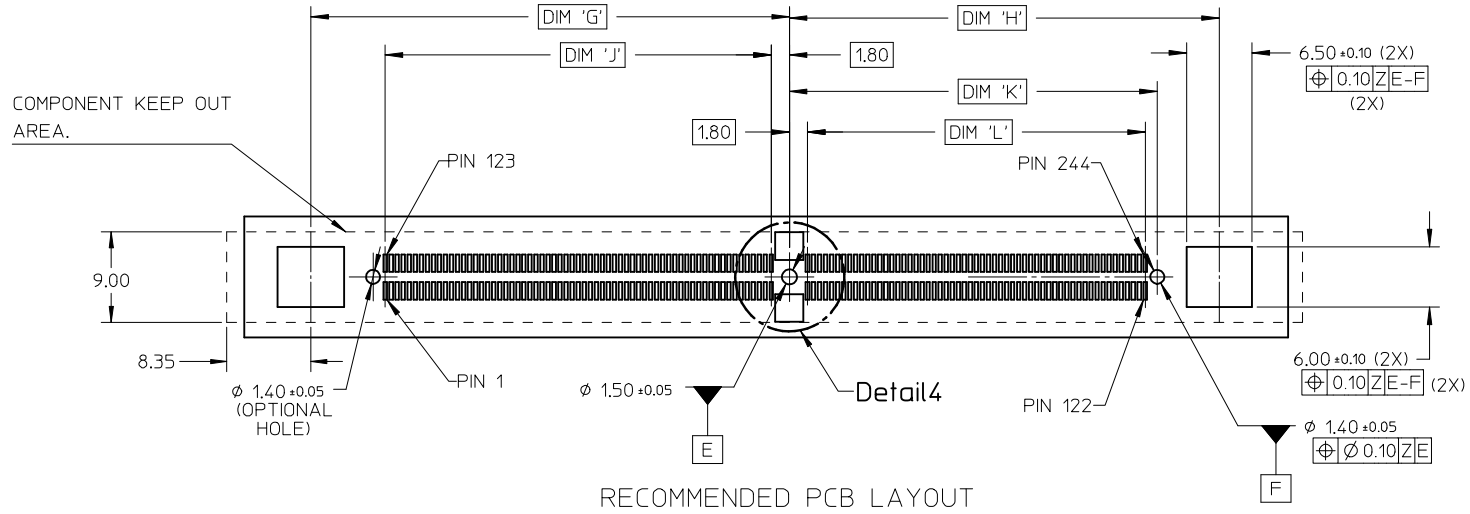
B

A

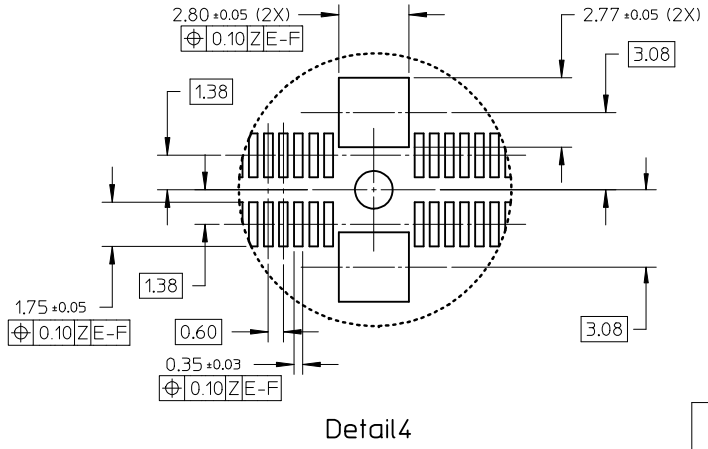


NEW COVER EC NO: S2010-0004 DRWN: TARUUGHAM 2009/08/12 CHKD: CGTAN 2009/08/12 APPR: SILENI 2009/08/17	QUALITY SYMBOLS ▽=0 ◻=0	GENERAL TOLERANCES (UNLESS SPECIFIED) <table border="1"> <thead> <tr> <th></th> <th>mm</th> <th>INCH</th> </tr> </thead> <tbody> <tr> <td>4 PLACES</td> <td>± ---</td> <td>± ---</td> </tr> <tr> <td>3 PLACES</td> <td>± ---</td> <td>± ---</td> </tr> <tr> <td>2 PLACES</td> <td>± 0.13</td> <td>± ---</td> </tr> <tr> <td>1 PLACE</td> <td>± 0.25</td> <td>± ---</td> </tr> </tbody> </table>		mm	INCH	4 PLACES	± ---	± ---	3 PLACES	± ---	± ---	2 PLACES	± 0.13	± ---	1 PLACE	± 0.25	± ---	DIMENSION STYLE MM ONLY	SCALE NTS	DESIGN UNITS METRIC	THIRD ANGLE PROJECTION
		mm	INCH																		
	4 PLACES	± ---	± ---																		
	3 PLACES	± ---	± ---																		
2 PLACES	± 0.13	± ---																			
1 PLACE	± 0.25	± ---																			
DESCRIPTION SKTOH	DRAWN BY MLONG	DATE 2003/01/07	TITLE MINI DIMM, 0.60MM PITCH 200/244 CKTS, VERTICAL																		
MATERIAL NO.	CHECKED BY PTLIM	DATE 2003/07/16	MOLEX INCORPORATED																		
DRAFT WHERE APPLICABLE MUST REMAIN WITHIN DIMENSIONS	APPROVED BY SKTOH	DATE 2003/07/17	DOCUMENT NO. SD-87782-001	SHEET NO. 2 OF 6																	

9 8 7 6 5 4 3 2 1



RECOMMENDED PCB LAYOUT

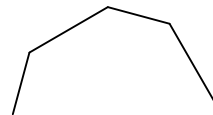
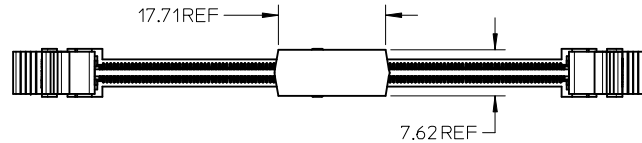
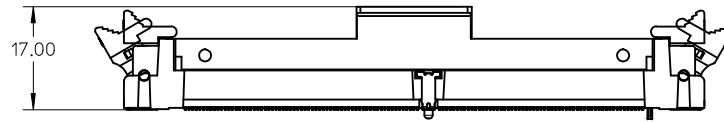


Detail4

NEW COVER EC NO: S2010-0004 DRAWN: TARUMUGHAM 2009/08/12 CHKD: CGTAN 2009/08/12 APPR: SILENI 2009/08/17	QUALITY SYMBOLS	GENERAL TOLERANCES (UNLESS SPECIFIED)		DIMENSION STYLE MM ONLY		SCALE NTS	DESIGN UNITS METRIC	THIRD ANGLE PROJECTION	
	▽=0 ∠=0	mm	INCH	DRAWN BY MLONG	DATE 2003/01/07	TITLE MINI DIMM, 0.60MM PITCH 200/244 CKTS, VERTICAL			
		4 PLACES ± --- ± ---	3 PLACES ± --- ± ---	CHECKED BY PTLIM	DATE 2003/07/16	MATERIAL NO. SEE TABLE			
		2 PLACES ± 0.13 ± ---	1 PLACE ± 0.25 ± ---	APPROVED BY SKTOH	DATE 2003/07/17	MOLEX INCORPORATED		DOCUMENT NO. SD-87782-001	SHEET NO. 3 OF 6
	ANGULAR ± 1 °		DRAFT WHERE APPLICABLE MUST REMAIN WITHIN DIMENSIONS		THIS DRAWING CONTAINS INFORMATION THAT IS PROPRIETARY TO MOLEX INCORPORATED AND SHOULD NOT BE USED WITHOUT WRITTEN PERMISSION				

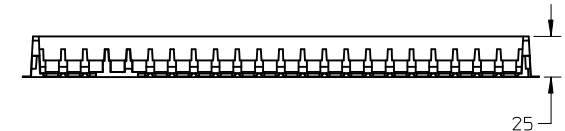
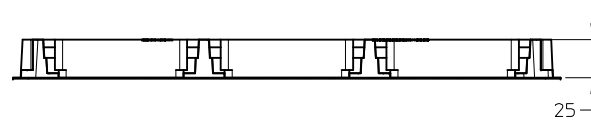
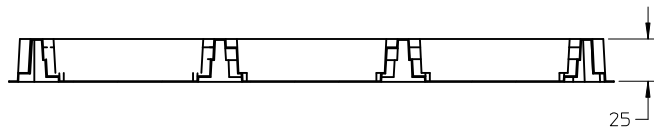
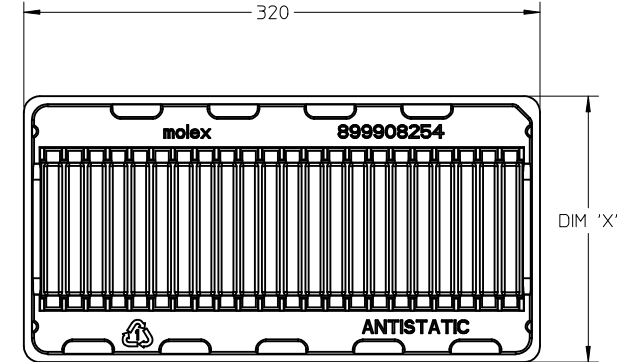
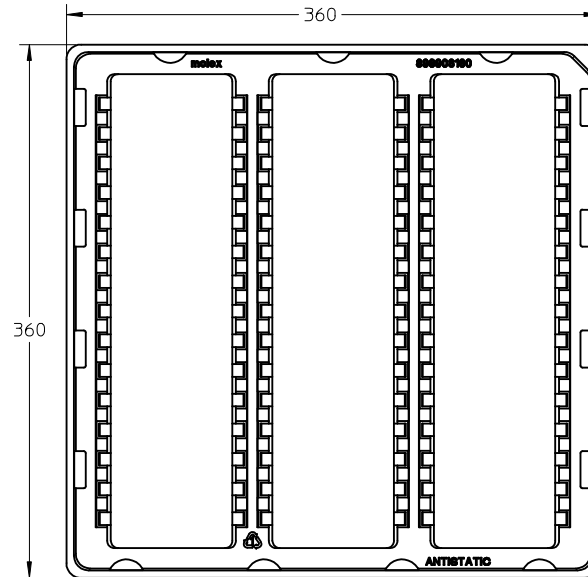
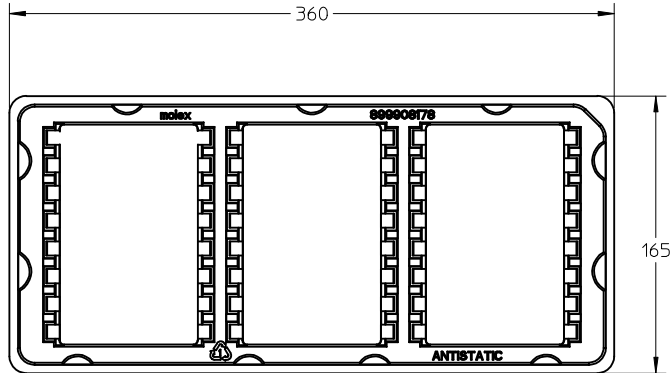
10 9 8 7 6 5 4 3 2 1

FOR OPTIONS WITH COVER



NEW COVER EC NO: S2010-0004 DRWN: TARUMUGHAM 2009/08/12 CHKD: CGTAN 2009/08/12 APPR: SHLENI 2009/08/17	QUALITY SYMBOLS	GENERAL TOLERANCES (UNLESS SPECIFIED)	DIMENSION STYLE	SCALE	DESIGN UNITS	THIRD ANGLE PROJECTION																													
	▼=0 □=0	<table border="1"> <thead> <tr> <th></th> <th>mm</th> <th>INCH</th> </tr> </thead> <tbody> <tr> <td>4 PLACES</td> <td>± ---</td> <td>± ---</td> </tr> <tr> <td>3 PLACES</td> <td>± ---</td> <td>± ---</td> </tr> <tr> <td>2 PLACES</td> <td>± 0.13</td> <td>± ---</td> </tr> <tr> <td>1 PLACE</td> <td>± 0.25</td> <td>± ---</td> </tr> </tbody> </table>		mm	INCH	4 PLACES	± ---	± ---	3 PLACES	± ---	± ---	2 PLACES	± 0.13	± ---	1 PLACE	± 0.25	± ---	<table border="1"> <thead> <tr> <th colspan="2">MM ONLY</th> </tr> </thead> <tbody> <tr> <td>DRAWN BY</td> <td>DATE</td> </tr> <tr> <td>MLONG</td> <td>2003/01/07</td> </tr> <tr> <td>CHECKED BY</td> <td>DATE</td> </tr> <tr> <td>PTL IM</td> <td>2003/07/16</td> </tr> <tr> <td>APPROVED BY</td> <td>DATE</td> </tr> <tr> <td>SKTOH</td> <td>2003/07/17</td> </tr> </tbody> </table>	MM ONLY		DRAWN BY	DATE	MLONG	2003/01/07	CHECKED BY	DATE	PTL IM	2003/07/16	APPROVED BY	DATE	SKTOH	2003/07/17	NTS	METRIC	□ THIRD ANGLE PROJECTION
		mm	INCH																																
	4 PLACES	± ---	± ---																																
3 PLACES	± ---	± ---																																	
2 PLACES	± 0.13	± ---																																	
1 PLACE	± 0.25	± ---																																	
MM ONLY																																			
DRAWN BY	DATE																																		
MLONG	2003/01/07																																		
CHECKED BY	DATE																																		
PTL IM	2003/07/16																																		
APPROVED BY	DATE																																		
SKTOH	2003/07/17																																		
DESCRIPTION	DRAFT WHERE APPLICABLE MUST REMAIN WITHIN DIMENSIONS	SEE TABLE	TITLE MINI DIMM, 0.60MM PITCH 200/244 CKTS, VERTICAL		MOLEX INCORPORATED DOCUMENT NO. SD-87782-001																														
REV			MATERIAL NO. SIZE A3	THIS DRAWING CONTAINS INFORMATION THAT IS PROPRIETARY TO MOLEX INCORPORATED AND SHOULD NOT BE USED WITHOUT WRITTEN PERMISSION		SHEET NO. 4 OF 6																													

9 8 7 6 5 4 3 2 1



TRAY TYPE A
 QTY OF CAVITY: 3 X 8 = 24 PCS
 COLOUR: TRANSPARENT

TRAY TYPE B
 QTY OF CAVITY: 3 X 15 = 45 PCS
 COLOUR: TRANSPARENT

TRAY TYPE AND COLOUR - SEE TABLE
 QTY OF CAVITY: 1 X 22 = 22 PCS
 COLOUR - SEE TABLE

TRAY TYPE	DIM 'X'	TRAY COLOUR
C	165	TRANSPARENT
D	160	WHITE

NEW COVER EC NO: S2010-0004 DRWN: TARUMUGHAM 2009/08/12 CHKD: CGTAN 2009/08/12 APPR: SHLENI 2009/08/17	QUALITY SYMBOLS	GENERAL TOLERANCES (UNLESS SPECIFIED)		DIMENSION STYLE MM ONLY		SCALE NTS	DESIGN UNITS METRIC	THIRD ANGLE PROJECTION																														
	= 0 = 0	<table border="1"> <tr> <td></td> <td>mm</td> <td>INCH</td> </tr> <tr> <td>4 PLACES</td> <td>± ---</td> <td>± ---</td> </tr> <tr> <td>3 PLACES</td> <td>± ---</td> <td>± ---</td> </tr> <tr> <td>2 PLACES</td> <td>± 0.13</td> <td>± ---</td> </tr> <tr> <td>1 PLACE</td> <td>± 0.25</td> <td>± ---</td> </tr> </table>		mm	INCH	4 PLACES	± ---	± ---	3 PLACES	± ---	± ---	2 PLACES	± 0.13	± ---	1 PLACE	± 0.25	± ---	<table border="1"> <tr> <td>DRAWN BY</td> <td>DATE</td> </tr> <tr> <td>MLONG</td> <td>2003/01/07</td> </tr> <tr> <td>CHECKED BY</td> <td>DATE</td> </tr> <tr> <td>PTL IM</td> <td>2003/07/16</td> </tr> <tr> <td>APPROVED BY</td> <td>DATE</td> </tr> <tr> <td>SKTOH</td> <td>2003/07/17</td> </tr> </table>	DRAWN BY	DATE	MLONG	2003/01/07	CHECKED BY	DATE	PTL IM	2003/07/16	APPROVED BY	DATE	SKTOH	2003/07/17	TITLE MINI DIMM, 0.60MM PITCH 200/244 CKTS, VERTICAL		MATERIAL NO. SEE TABLE		DOCUMENT NO. SD-87782-001		SHEET NO. 5 OF 6	
		mm	INCH																																			
	4 PLACES	± ---	± ---																																			
3 PLACES	± ---	± ---																																				
2 PLACES	± 0.13	± ---																																				
1 PLACE	± 0.25	± ---																																				
DRAWN BY	DATE																																					
MLONG	2003/01/07																																					
CHECKED BY	DATE																																					
PTL IM	2003/07/16																																					
APPROVED BY	DATE																																					
SKTOH	2003/07/17																																					
DESCRIPTION	ANGULAR ± 1 °		SIZE A3		THIS DRAWING CONTAINS INFORMATION THAT IS PROPRIETARY TO MOLEX INCORPORATED AND SHOULD NOT BE USED WITHOUT WRITTEN PERMISSION																																	
REV	DRAFT WHERE APPLICABLE MUST REMAIN WITHIN DIMENSIONS																																					

	10	9	8	7	6	5	4	3	2	1									
CKT SIZE 'N'	PART NUMBER	MODULE CARD	VOLTAGE KEY	DIM 'R'	DIM 'J'	DIM 'K'	DIM 'L'	DIM 'N'	DIM 'A'	DIM 'S'	DIM 'T'	DIM 'E'	DIM 'U'	DIM 'V'	DIM 'G'	DIM 'H'	DIM 'B'	COVER	TRAY
244	87782-2001	DDR2	1.8 V	1.30	38.40	36.60	33.60	79.00	96.0	96.0	106.20	39.60	78.00	82.00	47.60	42.75	75.60	NIL	TYPE A
244	87782-2003	DDR2	1.8 V	1.30	38.40	36.60	33.60	79.00	96.0	96.0	106.20	39.60	78.00	82.00	47.60	42.75	75.60	YES	TYPE B
	87782-3003	DDR3	1.5 V	2.30														YES	TYPE B
244	87782-2005	DDR2	1.8 V	1.30	38.40	36.60	33.60	79.00	96.0	96.0	106.20	39.60	78.00	82.00	47.60	42.75	75.60	YES	TYPE A
	87782-3005	DDR3	1.5 V	2.30														YES	TYPE A
244	87782-2007	DDR2	1.8 V	1.30	38.40	36.60	33.60	79.00	96.0	96.0	106.20	39.60	78.00	82.00	47.60	42.75	75.60	YES	TYPE C
	87782-3007	DDR3	1.5 V	2.30														YES	TYPE C
244	87782-2009	DDR2	1.8 V	1.30	38.40	36.60	33.60	79.00	96.0	96.0	106.20	39.60	78.00	82.00	47.60	42.75	75.60	YES	TYPE D
	87782-3009	DDR3	1.5 V	2.30														YES	TYPE D
200	87782-2201	DDR2	1.8 V	1.30	23.40	38.40	35.40	65.80	82.8	82.8	93.00	24.60	64.80	68.80	32.60	44.55	62.40	NIL	TYPE A
	87782-2202	DDR	2.5 V	2.30														NIL	TYPE A
200	87782-2203	DDR2	1.8 V	1.30	23.40	38.40	35.40	65.80	82.8	82.8	93.00	24.60	64.80	68.80	32.60	44.55	62.40	YES	TYPE A
	87782-2204	DDR	2.5 V	2.30														YES	TYPE A

NEW COVER EC NO: S2010-0004 TDRWN: TARUMUGHAM 2009/08/12 CHKD: CGTAN 2009/08/12 APPR: SHLENI 2009/08/17	DESCRIPTION REV	QUALITY SYMBOLS	GENERAL TOLERANCES (UNLESS SPECIFIED)	DIMENSION STYLE	SCALE	DESIGN UNITS	THIRD ANGLE PROJECTION
		$\nabla = 0$ $\square = 0$	mm INCH	MM ONLY	NTS	METRIC	
		4 PLACES \pm --- \pm --- 3 PLACES \pm --- \pm --- 2 PLACES \pm 0.13 \pm --- 1 PLACE \pm 0.25 \pm --- ANGULAR \pm 1 °	DRAWN BY DATE MLONG 2003/01/07 CHECKED BY DATE PTL IM 2003/07/16 APPROVED BY DATE SKTOH 2003/07/17	TITLE MINI DIMM, 0.60MM PITCH 200/244 CKTS, VERTICAL			
		DRAFT WHERE APPLICABLE MUST REMAIN WITHIN DIMENSIONS	MATERIAL NO. SEE TABLE SIZE A3	DOCUMENT NO. MOLEX INCORPORATED SD-87782-001	SHEET NO. 6 OF 6		