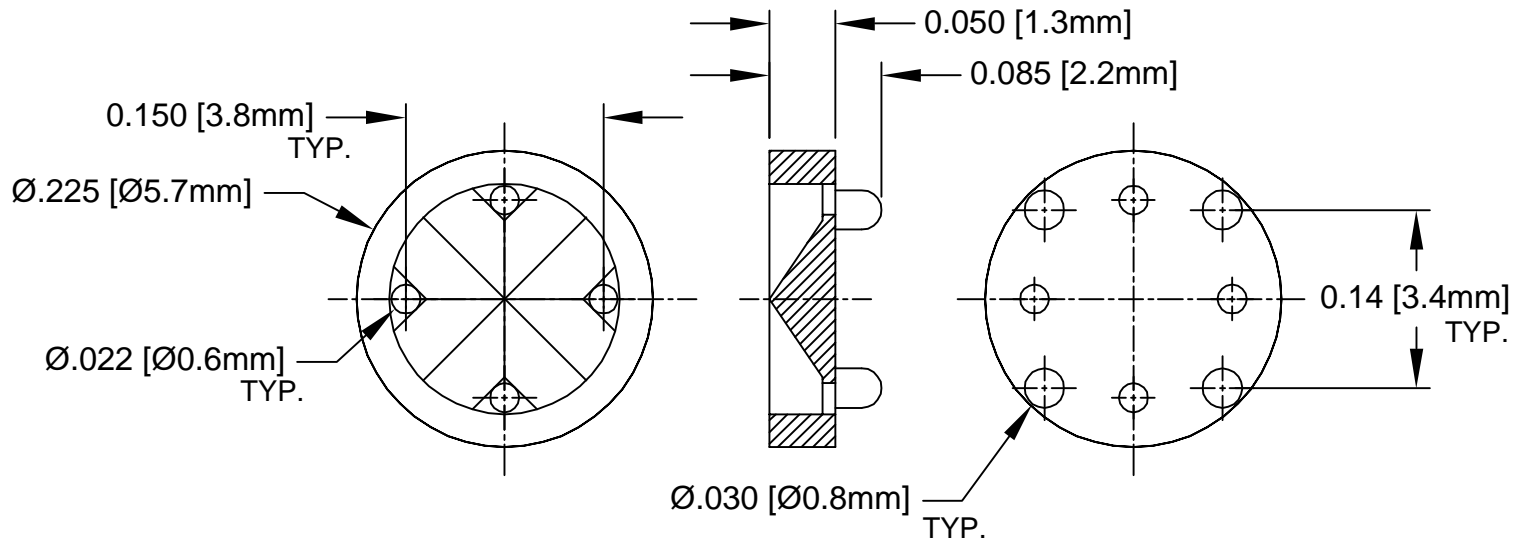

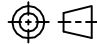


REV.	DESCRIPTION	DATE	APPROVED
A	Engineering Update w/o Changes	02/17/04	M. C.



2. MATERIAL: NYLON 6/6, 94V-2, WHITE. BIVAR MATERIAL CODE 04-WE.  
 BASF ULTRAMID NYLON 6/6 A3K WHITE.
1. GENERAL SPECIFICATIONS: BIVAR MOLDED COMPONENT SPECIFICATION BV00-E101.

STANDARD TOLERANCE (UNLESS OTHERWISE SPECIFIED)		 4 THOMAS, IRVINE, CA. 92618 TEL: (949) 951-8808 FAX: (949) 951-3974	
DECIMALS	ANGULAR	TITLE:	
.X $\pm .1$	$X^\circ \pm 1^\circ$	 PERM-O-PAD TO-18 MOUNT	
.XX $\pm .01$		DESIGNED:	DATE:
.XXX $\pm .005$		Shane Irving	07/16/98
		CHECKED:	DATE:
		D. Green	02/17/04
		PART NO:	REVISION:
		205-085	A
		CAGE CODE : 32559	SHEET # 1 OF 1
		CAD GENERATED DOCUMENT, DO NOT MEASURE DRAWING.	