

PLEASE CHECK WWW.MOLEX.COM FOR LATEST PART INFORMATION

Part Number: [0082263806](#)
Status: **Active**
Description: 1.50mm (.059") Pitch Round Conductor Flat Cable - 26 AWG (7 x 34) Stranded, Topcoat, 6 Circuits, Reel 30.48m (100.0') Length

Documents:

[Drawing \(PDF\)](#) [RoHS Certificate of Compliance \(PDF\)](#)

Agency Certification

CSA LR61126
 UL E61522

General

Product Family Cable
 Series [24483](#)
 Crimp Quality Equipment Yes
 Geographic Area Asia
 Product Name Ribbon

Physical

Cable Length 30.48m (100.0')
 Circuits (Loaded) 6
 Insulation PVC
 Packaging Type Reel
 Pitch - Term. Interface (in) 0.059 In
 Pitch - Term. Interface (mm) 1.50 mm
 Temperature Range - Operating -20°C to +105°C
 Wire Size AWG 26
 Wire/Cable Type (7x34) Stranded, Topcoat

Electrical

Current - Maximum per Contact N/A
 Voltage - Maximum 300V

Material Info

Old Part Number 24483-06-100B

Reference - Drawing Numbers

Sales Drawing SD-24483-001



EU RoHS

**ELV and RoHS
 Compliant
 REACH SVHC
 Not Reviewed
 Halogen-Free
 Status
 Not Reviewed**

China RoHS



Need more information on product environmental compliance?

Email productcompliance@molex.com
 For a multiple part number RoHS Certificate of Compliance, [click here](#)

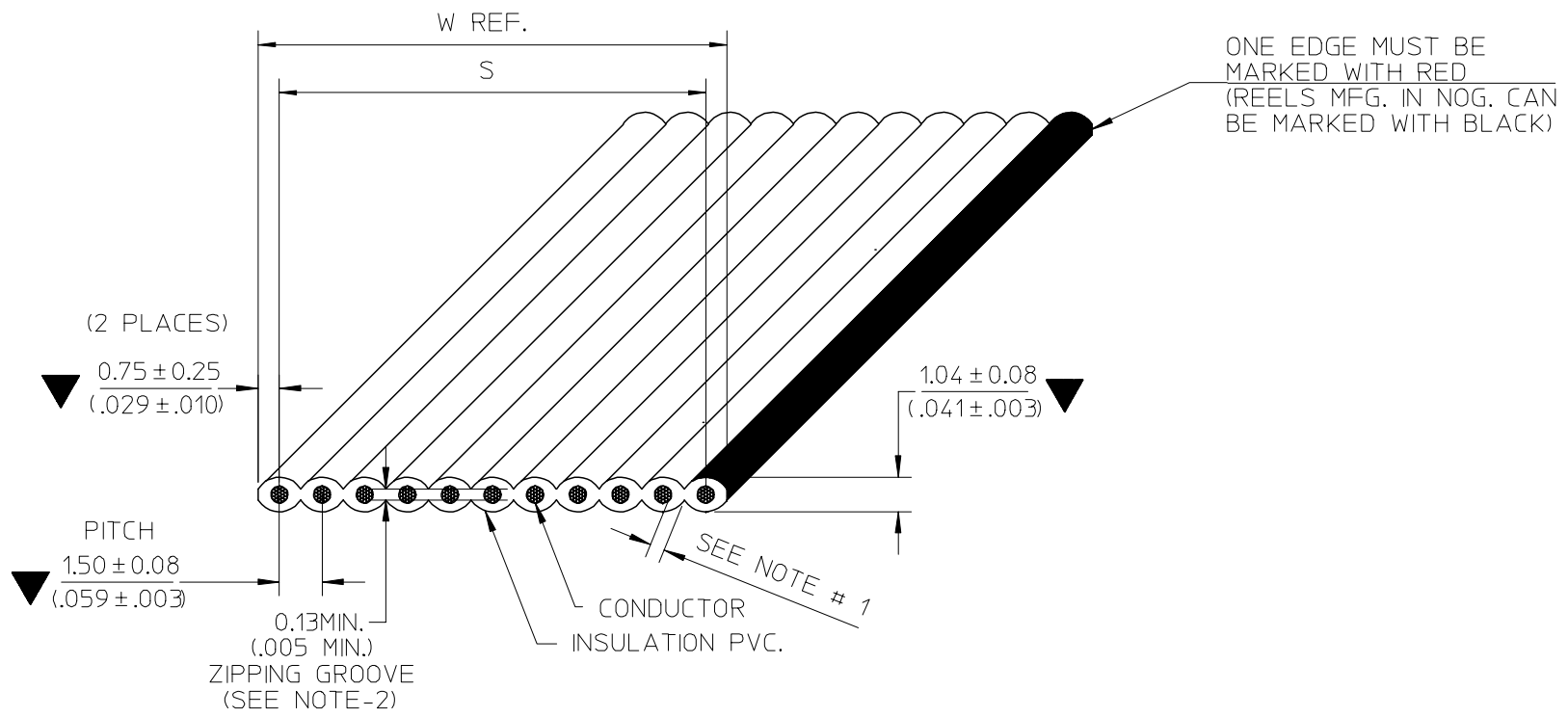
Please visit the [Contact Us](#) section for any non-product compliance questions.

Search Parts in this Series

[24483Series](#)

Use With

[52004 Wire Trap](#). [51016 Cable Holder](#)



- NOTE :**
1. THE CABLE SHALL HAVE A MINIMUM OF 0.178mm. (.007") THICKNESS INSULATION AT ANY POINT
 2. RIP TEST:
 - THE 0.13mm. (.005") ZIPPING GROOVE SHALL BE CAPABLE OF BEING RIPPED BY HAND WITHIN THE RECESS, WITHOUT EXPOSING THE ADJACENT CONDUCTORS
 3. RoHS AND LEAD FREE COMPLIANT
 4. SPECIAL REQUIREMENT: N/A

B	E-07-0748	B ₂ : ADD NON-OPERATING TEMP. B ₁ : ADD SOLDERING CONDITION	07/10/01
A	N/A	NEW RELEASE	06/08/09
REV. HISTORY	EC NO.	DETAIL	DATE

SEE CHANGE DETAIL
 EC NO: THL2008-0015
 DRWN: CPANSAKHOM 2007/11/28
 CHKD: DNARINTARA 2007/11/29
 APPR: SVIRATJAPOL 2007/12/04

QUALITY SYMBOLS
 ▼=3
 ◻=0

	GENERAL TOLERANCES (UNLESS SPECIFIED)	
	mm	INCH
4 PLACES	± ---	± ---
3 PLACES	± ---	± ---
2 PLACES	± ---	± ---
1 PLACE	± ---	± ---
ANGULAR ± ---°		

DRAFT WHERE APPLICABLE MUST REMAIN WITHIN DIMENSIONS

DIMENSION STYLE	
MM/IN	SCALE NTS
DRAWN BY CPANSAKHOM	DATE 2006/08/09
CHECKED BY PMEECHAI	DATE 2006/08/09
APPROVED BY SVIRATJAPOL	DATE 2006/08/09
MATERIAL NO. SEE CHART	

DESIGN UNITS	THIRD ANGLE PROJECTION
INCH	
TITLE FCB ROUND CONDUCTOR 1.50MM(.059)CENTERS PVC. 26AWG STRANDED TOPCOATED	
MOLEX INCORPORATED	
DOCUMENT NO. SD-24483-001	SHEET NO. 1 OF 3

SPECIFICATIONS

PHYSICAL

CONDUCTOR SPACING1.50 (.059") C TO C
 WIRE GAUGE26 AWG(7/34) STRANDED TOPCOATED
 INSULATIONP.V.C GRAY (LEAD FREE)

AGENCY

U.L. STYLE NO.2651
 TEMPERATURE RATING-20°C TO 105°C
 VOLTAGE RATING300V.MAX.
 FLAMMABILITY RATINGVW-1

ELECTRICAL


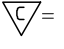
CONDUCTOR RESISTANCE (D.C.)40.0 m OHMS/FT. MAX.
 CHARACTERISTIC IMPEDANCETBD OHMS NOM. (GS)
TBD OHMS NOM. (GSG)
 CAPACITANCETBD pF/FT. NOM. (GS)
TBD pF/FT. NOM. (GSG)
 PROPAGATION DELAY1.4 ns/FT. NOM.
 INSULATION RESISTANCE10M OHMS (10FT. SAMPLE)
 DIELECTRIC WITHSTAND VOLTAGE2000 VRMS/MINUTE

GENERAL

\triangle_{B_2} NON-OPERATING TEMPERATURE-20°C TO 105°C
 FAULTS AND/OR SPLICES1/REEL MAX. 100 \pm ₀³ FT. (30.48 \pm ₀⁹¹⁴ M.)/REEL
 20FT. (6.096M.) MIN. LENGTH

\triangle_{B_1} SOLDERING CONDITION

SOLDER TEMPERATURE260°C. MAX.
 SOLDERING TIME3 SECOND, MAX.
 INSULATION SHRINK2MM, NOM

SEE CHANGE DETAIL EC NO: THL2008-0015 DRAWN: CPANSAKHOM 2007/11/28 CHKD: DNARINTARA 2007/11/29 APPR: SVIRATJAPOL 2007/12/04	DESCRIPTION REV	QUALITY SYMBOLS	GENERAL TOLERANCES (UNLESS SPECIFIED)		DIMENSION STYLE		SCALE	DESIGN UNITS	THIRD ANGLE PROJECTION		
		 =  =		mm	INCH	MM/IN		NTS	INCH	DRAWN BY CPANSAKHOM DATE 2006/08/09 CHECKED BY PMEECHAI DATE 2006/08/09 APPROVED BY SVIRATJAPOL DATE 2006/08/09 MATERIAL NO. SEE CHART DOCUMENT NO. SD-24483-001 SHEET NO. 2 OF 3	
			4 PLACES	±----	±----	DRAWN BY CPANSAKHOM DATE 2006/08/09		TITLE			
			3 PLACES	±----	±----	CHECKED BY PMEECHAI DATE 2006/08/09		FCB ROUND CONDUCTOR 1.50MM(.059)CENTERS PVC. 26AWG STRANDED TOPCOATED			
			2 PLACES	±----	±----	APPROVED BY SVIRATJAPOL DATE 2006/08/09		MOLEX INCORPORATED			
	1 PLACE	±----	±----	ANGULAR ±----°		DRAFT WHERE APPLICABLE MUST REMAIN WITHIN DIMENSIONS					

7 6 5 4 3 2 1

CHART A DIMENSIONS MM. (INCHES)				SHIPPED ON 100 FT. REELS	
ENG. NO.	NO.OF COND.	DIMENSION S	DIM. W (REF)	ENGINEERING NO.	ORDER NO.
24483-02	2	1.50±0.18 (.059±.007)	3.00 (.118)	24483-02-100B	82-26-3802
24483-03	3	3.00±0.18 (.118±.007)	4.50 (.177)	▲ -03- ▲	▲ 03
24483-04	4	4.50±0.18 (.177±.007)	6.00 (.236)	▲ -04- ▲	▲ 04
24483-05	5	6.00±0.18 (.236±.007)	7.50 (.295)	▲ -05- ▲	▲ 05
24483-06	6	7.50±0.18 (.295±.007)	9.00 (.354)	▲ -06- ▲	▲ 06
24483-07	7	9.00±0.18 (.354±.007)	10.50 (.413)	▲ -07- ▲	▲ 07
24483-08	8	10.50±0.18 (.413±.007)	12.00 (.472)	▲ -08- ▲	▲ 08
24483-09	9	12.00±0.18 (.472±.007)	13.50 (.531)	▲ -09- ▲	▲ 09
24483-10	10	13.50±0.18 (.531±.007)	15.00 (.591)	▲ -10- ▲	▲ 10
24483-11	11	15.00±0.18 (.591±.007)	16.50 (.650)	▲ -11- ▲	▲ 11
24483-12	12	16.50±0.18 (.650±.007)	18.00 (.709)	▲ -12- ▲	▲ 12
24483-13	13	18.00±0.18 (.709±.007)	19.50 (.767)	▲ -13- ▲	▲ 13
24483-14	14	19.50±0.18 (.768±.007)	21.00 (.827)	▲ -14- ▲	▲ 14
24483-15	15	21.00±0.18 (.827±.007)	22.50 (.886)	▼ -15- ▼	▼ 15

ENGINEERING NO.

24483-XX-XXXX

A B C D

A : CABLE 1.50mm. (.059") CENTERS 26AWG STRANDED TOPCOATED

B : CONDUCTOR SIZE (AVAILABILITY 2 THROUGH 15)

C : CABLE LENGTH 100FT. (30.48M.)

D : A = INCHES

B = FEET

SEE CHANGE DETAIL EC NO: THL2008-0015 DRWN:CPANSAKHOM 2007/11/28 CHKD:DNARINTARA 2007/11/29 APPR:SVIRATJAPOL 2007/12/04	DESCRIPTION REV	QUALITY SYMBOLS	GENERAL TOLERANCES (UNLESS SPECIFIED)	DIMENSION STYLE MM/IN	SCALE NTS	DESIGN UNITS INCH	THIRD ANGLE PROJECTION																												
		= =	<table border="1"> <tr> <th></th> <th>mm</th> <th>INCH</th> </tr> <tr> <td>4 PLACES</td> <td>± ---</td> <td>± ---</td> </tr> <tr> <td>3 PLACES</td> <td>± ---</td> <td>± ---</td> </tr> <tr> <td>2 PLACES</td> <td>± ---</td> <td>± ---</td> </tr> <tr> <td>1 PLACE</td> <td>± ---</td> <td>± ---</td> </tr> </table>		mm	INCH	4 PLACES	± ---	± ---	3 PLACES	± ---	± ---	2 PLACES	± ---	± ---	1 PLACE	± ---	± ---	<table border="1"> <tr> <th>DRAWN BY</th> <th>DATE</th> </tr> <tr> <td>CPANSAKHOM</td> <td>2006/08/09</td> </tr> <tr> <th>CHECKED BY</th> <th>DATE</th> </tr> <tr> <td>PMEECHAI</td> <td>2006/08/09</td> </tr> <tr> <th>APPROVED BY</th> <th>DATE</th> </tr> <tr> <td>SVIRATJAPOL</td> <td>2006/08/09</td> </tr> </table>	DRAWN BY	DATE	CPANSAKHOM	2006/08/09	CHECKED BY	DATE	PMEECHAI	2006/08/09	APPROVED BY	DATE	SVIRATJAPOL	2006/08/09	TITLE			
				mm	INCH																														
			4 PLACES	± ---	± ---																														
3 PLACES	± ---	± ---																																	
2 PLACES	± ---	± ---																																	
1 PLACE	± ---	± ---																																	
DRAWN BY	DATE																																		
CPANSAKHOM	2006/08/09																																		
CHECKED BY	DATE																																		
PMEECHAI	2006/08/09																																		
APPROVED BY	DATE																																		
SVIRATJAPOL	2006/08/09																																		
	DRAFT WHERE APPLICABLE MUST REMAIN WITHIN DIMENSIONS	ANGULAR ± ---°	SEE CHART	FCB ROUND CONDUCTOR 1.50MM(.059)CENTERS PVC. 26AWG STRANDED TOPCOATED MOLEX INCORPORATED		DOCUMENT NO. SD-24483-001	SHEET NO. 3 OF 3																												

6 5 4 3 2 1