

PROTECTION PRODUCTS - EMIClamp®

Description

The EClamp®2122S is combination EMI filter and line termination device with integrated TVS diodes for use on USB 2.0 interfaces. This device utilizes solid-state silicon-avalanche technology for superior clamping performance and DC electrical characteristics. They have been optimized for **protection of USB interfaces** in cellular phones and other portable electronics.

USB line termination is achieved with a series 22Ω resistor on both the D+ and D- USB lines. These resistors preserve signal integrity by matching the cable impedance to that of the differential driver. The 15kΩ pull-down resistors complete the termination circuit on each line. They are required by the USB specification to identify the line as a downstream connection. The capacitors are used to bypass high frequency energy to ground and for edge rate control of the USB signals. Integrated TVS diodes provide ESD protection of both (D+ & D-) data lines and the voltage bus (V_{BUS}). The TVS diodes provide effective suppression of ESD voltages in excess of 25kV (air discharge) and 20kV (contact discharge) per IEC 61000-4-2.

The EClamp2122S is in a 6-pin SOT-23 package. The leads are finished with lead-free matte tin. It is suitable for use in USB hubs, computers, peripherals, and portable devices

Features

- ◆ EMI/RFI filtering and line termination with integrated ESD protection
- ◆ ESD protection for USB power (V_{BUS}) and data lines (D+ & D-) to **IIEC 61000-4-2 (ESD), ±25kV (air), ±20kV (contact)**
- ◆ Filtering and termination for two USB data lines
- ◆ Series resistors for impedance matching
- ◆ Integrated pull down resistors as required by the USB specification for downstream ports
- ◆ Low TVS operating voltage (5.25V)
- ◆ Solid-state technology

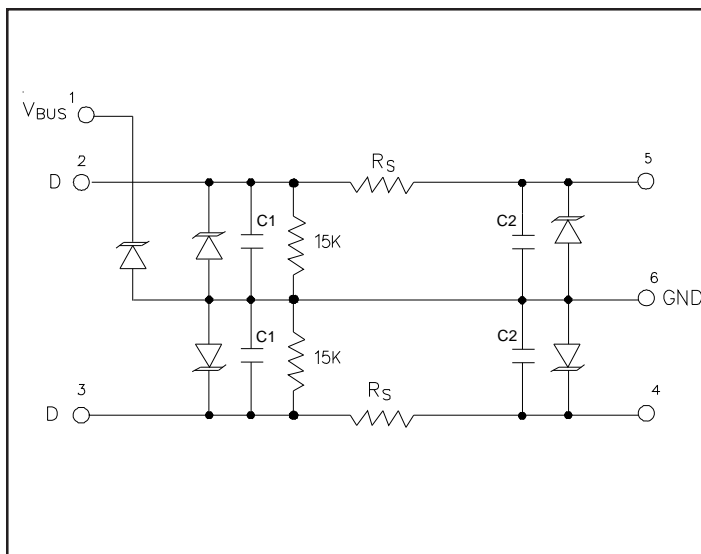
Mechanical Characteristics

- ◆ JEDEC SOT-23 6L package
- ◆ Pb-Free, Halogen Free, RoHS/WEEE Compliant
- ◆ Nominal Dimensions: 2.9 x 2.8mm
- ◆ Molding compound flammability rating: UL 94V-0
- ◆ Marking: Marking Code + Date Code
- ◆ Packaging: Tape and Reel

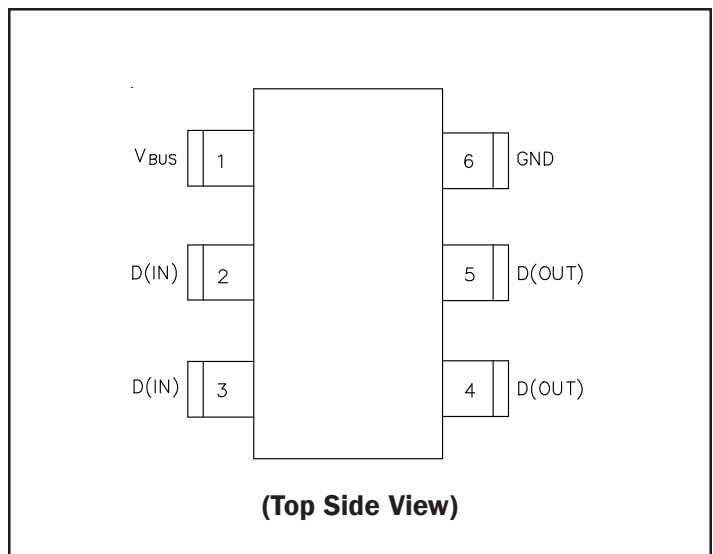
Applications

- ◆ USB 1.1 Interfaces
- ◆ USB Hubs
- ◆ Printers
- ◆ Monitors
- ◆ Servers, Desktop, and Notebook computers

Circuit Diagram



Pin Configuration



PROTECTION PRODUCTS

Absolute Maximum Rating

| Rating | Symbol | Value | Units |
|--|-----------|-------------|-------|
| Steady-State Power | P_{SS} | 100 | mW |
| ESD Air Discharge per IEC 61000-4-2 ESD Contact Discharge per IEC 61000-4-2 | V_{ESD} | 25 20 | kV |
| Operating Temperature | T_J | -40 to +85 | °C |
| Storage Temperature | T_{STG} | -55 to +150 | °C |

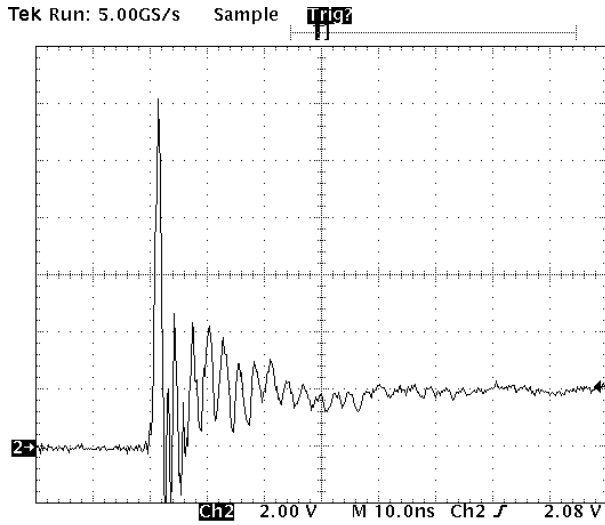
Electrical Characteristics (T = 25°C)

| Parameter | Symbol | Conditions | Minimum | Typical | Maximum | Units |
|-------------------------------|-----------|--|---------|---------|---------|------------|
| TVS Reverse Stand-Off Voltage | V_{RWM} | | | | 5.25 | V |
| TVS Reverse Breakdown Voltage | V_{BR} | $I_t = 1mA$ | 6 | | | V |
| Series Resistance | R_S | Each Line | 20 | 22 | 24 | Ω |
| Pulldown Resistance | R_{PD} | Each Line | 13.5 | 15 | 16.5 | k Ω |
| TVS Diode Capacitance | C | Each Line $V_R = 0V, f = 1MHz$ | 27 | 30 | 33 | pF |
| Total Capacitance | C_{TOT} | Between Input or Output to Ground $V_R = 0V, f = 1MHz$ | | 50 | | pF |

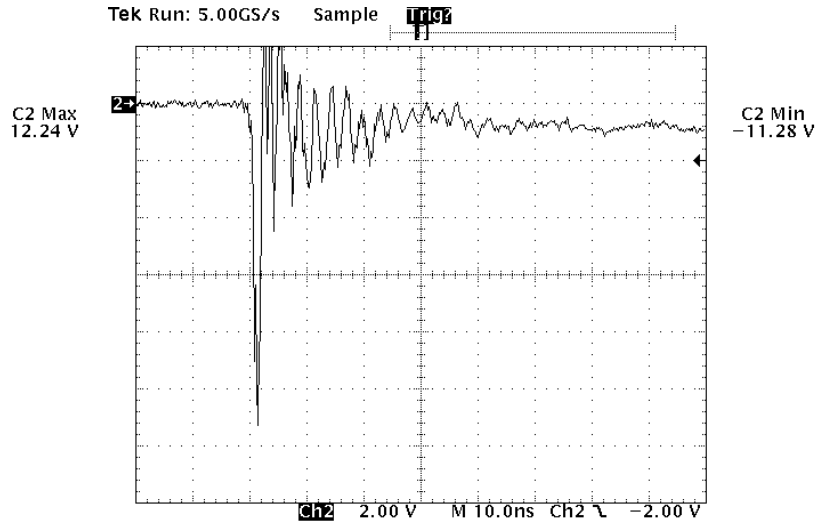
PROTECTION PRODUCTS

Typical Characteristics

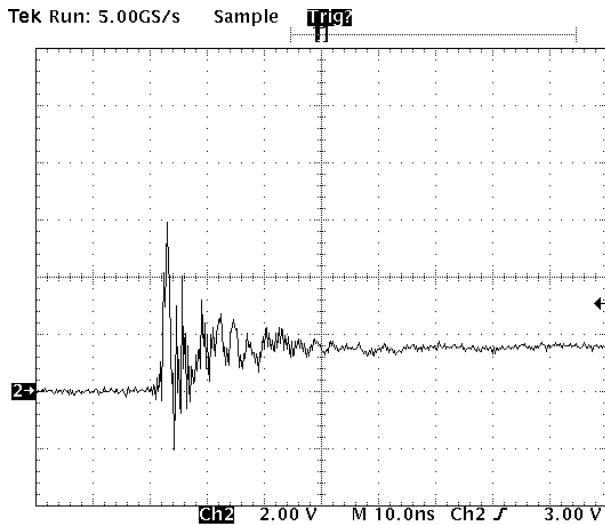
**ESD Clamping (Pin 1 to GND)
(8kV Contact per IEC 61000-4-2)**



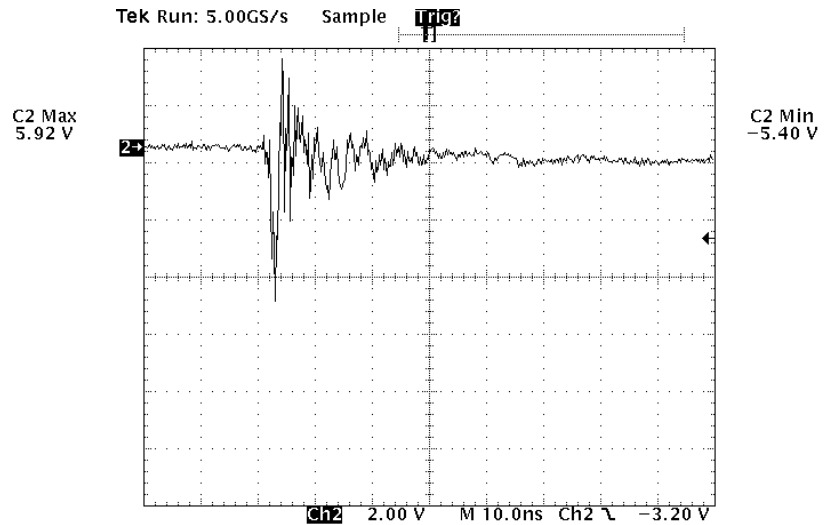
**ESD Clamping (Pin 1 to GND)
(-8kV Contact per IEC 61000-4-2)**



**ESD Clamping (Pin 4 or 5 to GND)
(8kV Contact per IEC 61000-4-2)**

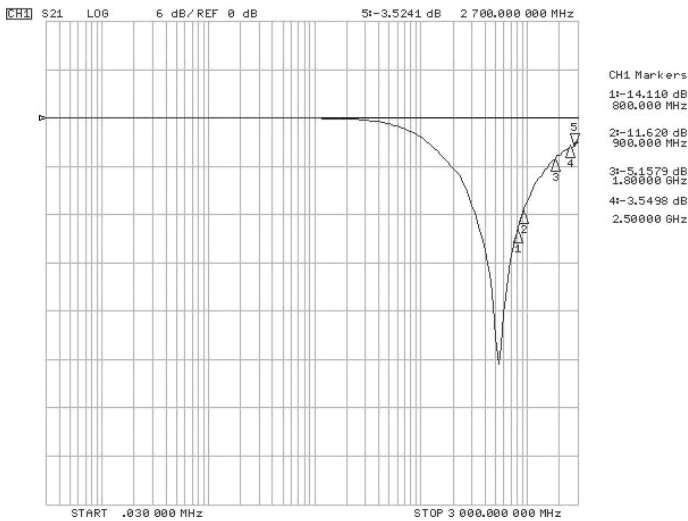


**ESD Clamping (Pin 4 or 5 to GND)
(-8kV Contact per IEC 61000-4-2)**



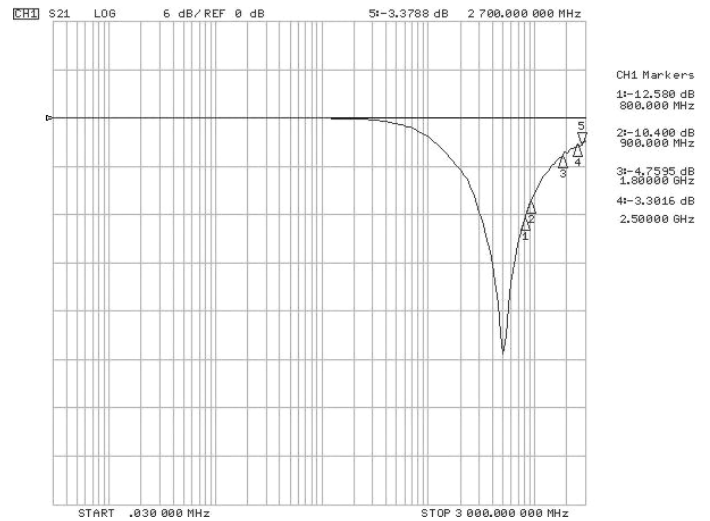
Note: ESD data is taken with a 20dB attenuator

**Typical Insertion Loss S21
(Pin 2 to 5 with respect to GND)**



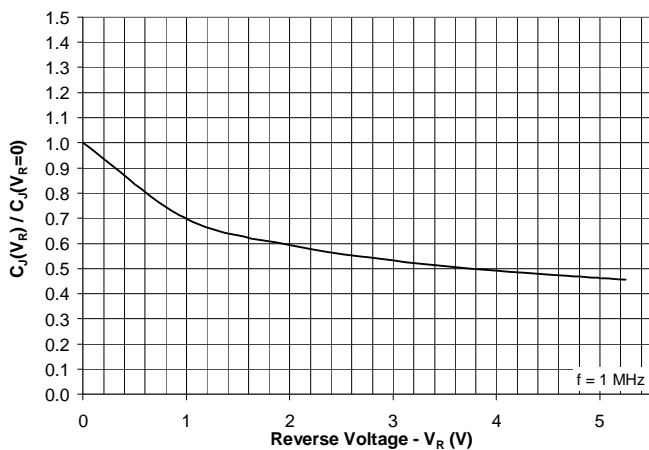
| Frequency | S21 (dB) |
|-----------|----------|
| 114.9MHz | -3.00 |
| 800MHz | -14.11 |
| 900MHz | -11.62 |
| 1.8GHz | -5.16 |
| 2.5GHz | -3.55 |
| 2.7GHz | -3.52 |

**Typical Insertion Loss S21
(Pin 3 to 4 with respect to GND)**



| Frequency | S21 (dB) |
|-----------|----------|
| 114.6MHz | -3.00 |
| 800MHz | -12.58 |
| 900MHz | -10.40 |
| 1.8GHz | -4.76 |
| 2.5GHz | -3.30 |
| 2.7GHz | -3.38 |

**Normalized Junction Capacitance
vs. Reverse Voltage (Data Pins)**



PROTECTION PRODUCTS

Applications Information

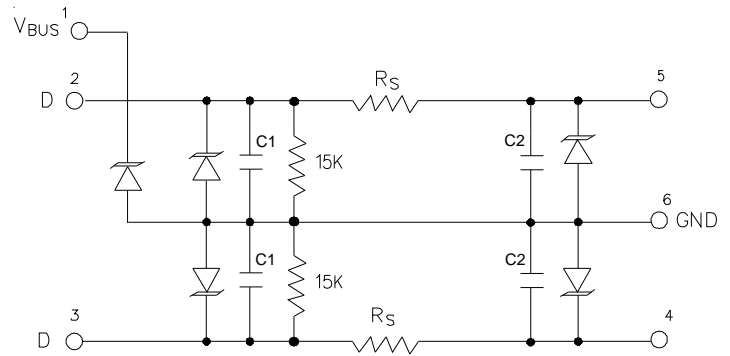
Device Connection

The EClamp2122S is designed to provide termination, EMI filtering and ESD protection for two USB I/O lines. The equivalent circuit diagram is shown in Figure 1.

The device is connected as follows:

- USB data lines are routed through the EClamp2122S for easy implementation and optimum pc board layout. Pin 1 is connected to the voltage supply line. The input of the D+ line is routed into pin 2 and out of pin 5. The input of the D- line is connected at pin 3 and the output at pin 4. Pin 6 is connected to ground. The ground connection should be made directly to the ground plane for best results. The path length is kept as short as possible to reduce the effects of parasitic inductance in the board traces.

Figure 1 - EClamp2122S Circuit Diagram



USB Port Design with EClamp2122S

The Universal Serial Bus (USB) specification requires termination and filtering components for proper operation. In addition, an open USB socket is vulnerable to hazardous ESD discharges in excess of 15kV. These discharges can occur on the data lines or the voltage bus. The EClamp2122S is an easily implemented solution designed to meet the termination & EMI filter requirements of the USB specification revision 1.1. It also provides ESD protection to IEC 61000-4-2.

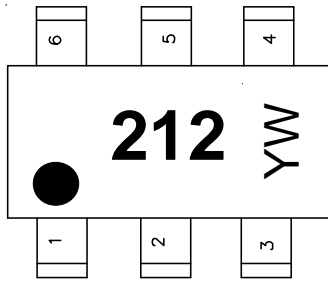
USB line termination is achieved with series resistors on both the D+ and D- lines. These resistors preserve signal integrity by matching the cable impedance to that of the differential driver. 15kΩ pull-down resistors are used to identify a downstream port. Capacitors are used to bypass high frequency energy to ground and for edge rate control of the USB signals. Integrated TVS diodes provide ESD protection of both (D+ & D-) data lines and the voltage bus (V_{BUS}).

General layout guidelines are given below:

- Avoid running D+ & D- signal line traces near high speed clock lines or similar signal lines.
- Avoid running critical signal lines near board edges.
- Place the EClamp2122S near the USB connector to restrict transient coupling.
- Minimize the path length between the USB connector and the EClamp2122S.

PROTECTION PRODUCTS

Marking



Ordering Information

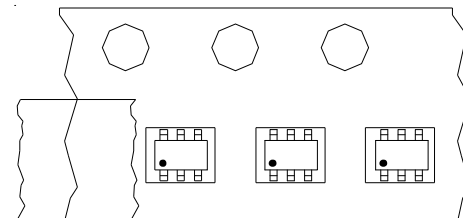
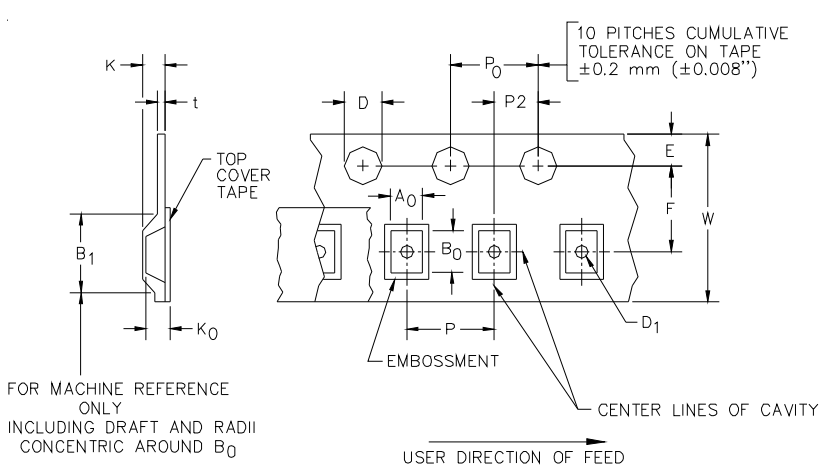
| Part Number | Qty per Reel | Reel Size |
|-----------------|--------------|-----------|
| EClamp2122S.TCT | 3,000 | 7 Inch |

Note: Lead finish is lead-free matte tin

EMIClamp and EClamp are trademarks of Semtech Corporation

YW = 2 - Alphanumeric characters for Date Code

Tape and Reel Specification



User Direction of feed

Device Orientation in Tape

| A0 | B0 | K0 |
|-----------------|-----------------|-----------------|
| 3.23 +/-0.05 mm | 3.17 +/-0.05 mm | 1.37 +/-0.05 mm |

| Tape Width | B, (Max) | D | D1 | E | F | K (MAX) | P | P0 | P2 | T(MAX) | W |
|------------|---------------|-----------------------|--------------|--------------|-------------|---------|------------|------------|-------------|--------|--------------------------|
| 8 mm | 4.2 mm (.165) | 1.5 + 0.1 mm - 0.0 mm | 1.0 mm ±0.05 | 1.750±.10 mm | 3.5±0.05 mm | 2.4 mm | 4.0±0.1 mm | 4.0±0.1 mm | 2.0±0.05 mm | 0.4 mm | 8.0 mm + 0.3 mm - 0.1 mm |

Contact Information

Semtech Corporation
 Protection Products Division
 200 Flynn Rd., Camarillo, CA 93012
 Phone: (805)498-2111 FAX (805)498-3804