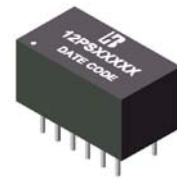


# SINGLE 10/100 BASE-TX LAN MAGNETIC (DIP)

- Operating temperature range: 0°C to +70°C
- Storage temperature range: -25°C to +105°C.



## Electrical Specifications @25°C

Part Number	Insertion Loss (dB Max)	Return Loss (dB Min)				Cross talk (dB Min)		DCMR (dB Min)		
		0.3-30 MHz	40 MHz	50 MHz	60-80 MHz	0.3-60MHz	60-100MHz	30MHz	60MHz	100MHz
12PS6121A	-1.1	-18	-15.5	-13	-12	-45	-35	-40	-35	-30
12PS6121C	-1.2	1-30MHz / -15		-13	-11	-40	-35	1-100MHz / -35		
12PS6121CX	-1.2	1-30MHz / -15		-13	-11	-40	-35	1-100MHz / -35		
12PS6121UX	-1.2	1-30MHz / -15		-13	-11	0.3-100MHz / -35		1-100MHz / -35		
12PS1142X	-1.1	-18	-15.5	-13	-12	-45	-35	-40	-35	-30

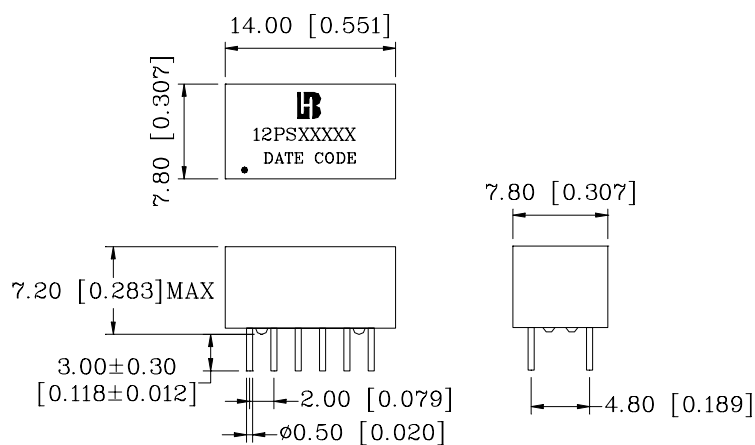
## Continue

Part Number	Turn Ratio (±5%)		OCL(uH Min) @100KHz/0.1V with 8.0mA DC	C <sub>WW</sub> (pF Max)	L.L (uH Max)	DCR (Ω Max) TX/RX		HI-POT (Vrms)
	Transmit	Receive						
12PS6121A	1CT:1CT	1CT:1CT	350	28	0.5	1.1	0.9	1500
12PS6121C	1CT:1CT	1CT:1CT	350	-	-	-	-	1500
12PS6121CX	1CT:1CT	1CT:1CT	350	-	-	-	-	1500
12PS6121UX	1CT:1CT	1CT:1CT	350	-	-	-	-	1500
12PS1142X	1CT:1CT	1CT:1CT	350	56	0.5	1.1	-	1500

For customized parts or more detailed information, please log on [www.bothhand.com.tw](http://www.bothhand.com.tw) or write to [sales@bothhand.com.tw](mailto:sales@bothhand.com.tw).

## Mechanicals

### 12PS



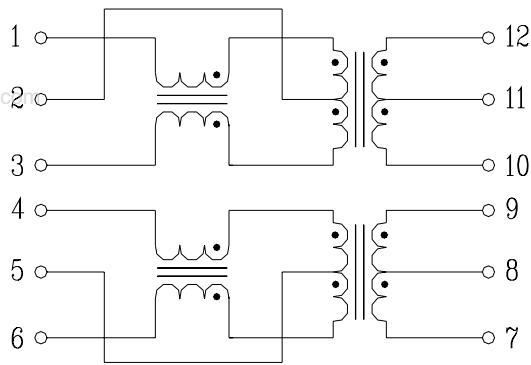
Units: mm [Inches] all Tolerances are : ±0.25 [0.010]

# SINGLE 10/100 BASE-TX LAN MAGNETIC (DIP)

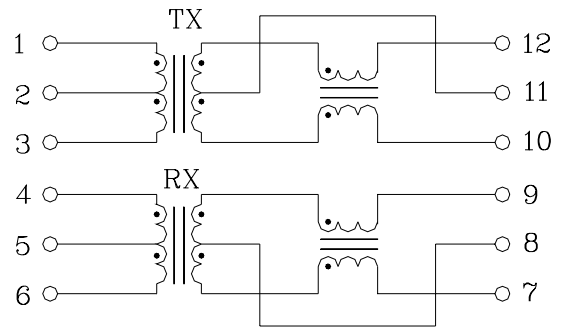
Specification	Packing Manner	Q'ty per Tube/Reel	Q'ty/ Inner box	Q'ty/ Carton
12PS	TUBE	36	3240	12960

## Schematics

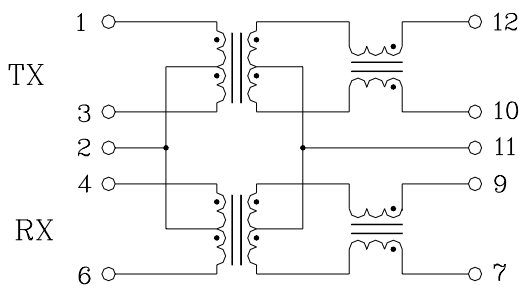
**12PS6121A**



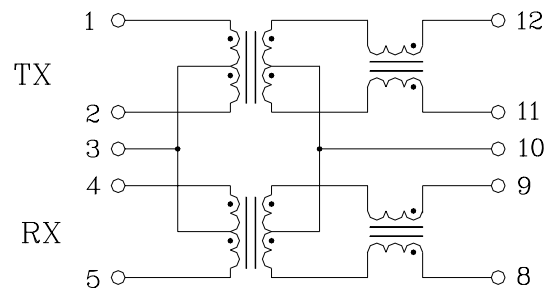
**12PS6121C**



**12PS6121CX**



**12PS6121UX**



**12PS1142X**

