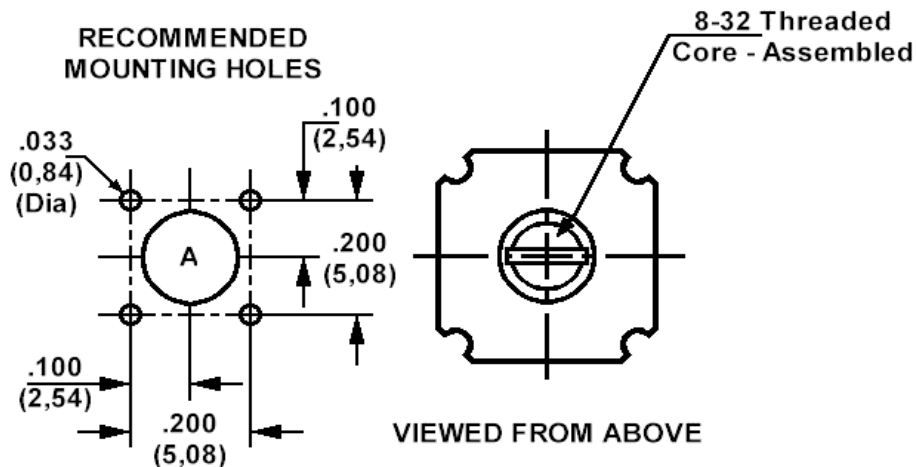
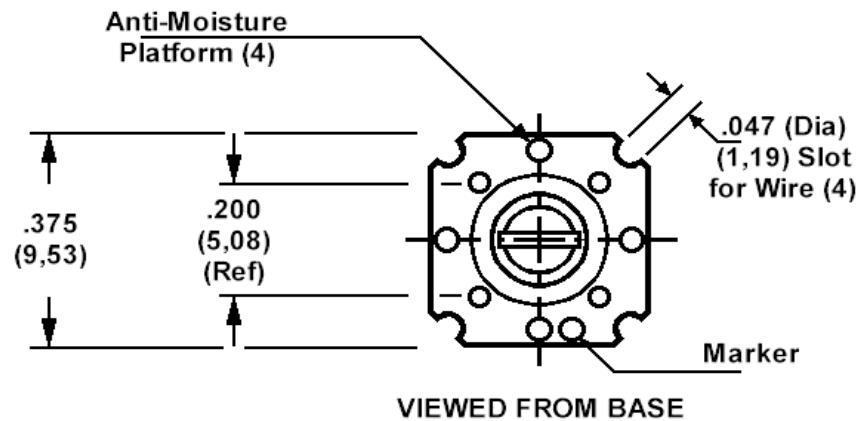
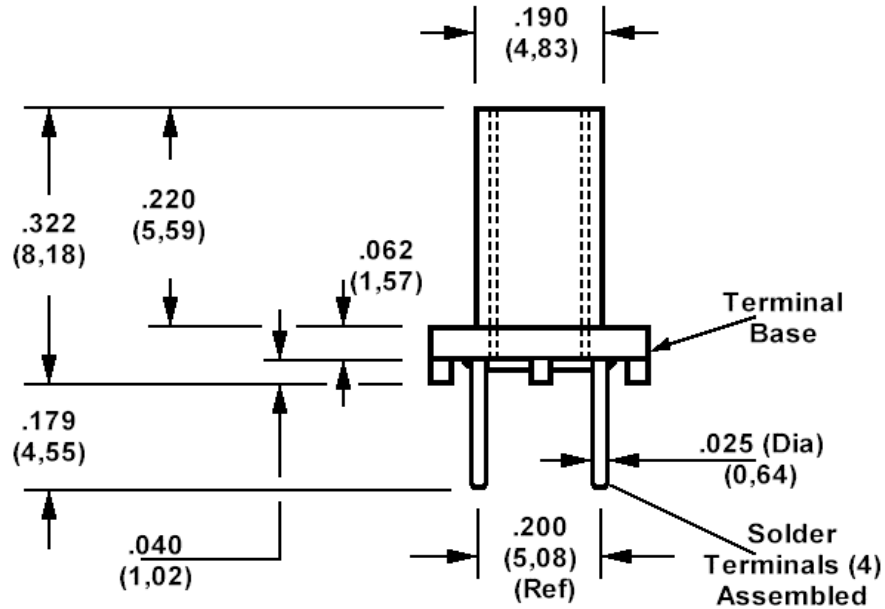


534-3706, Coil Form, Unshielded, Vertical, .190 (4,83) Winding Diameter



How to order code
534-3706-XX-00-00
Basic Part No (XX = Frequency Range)

Operating Frequencies and Materials				
Basic Part # (XX)	Recommended Oper. Freq. (MHz)	Core Material	Core Colour Code	
534-3706	-01	.2 - 1.5	Carbonyl C	Yellow
	-02	1.0 - 20.0	Carbonyl E	Red
	-03	20.0 - 50.0	Carbonyl J	Green
	-04	50.0 - 200.0	122865A	White
	-05	100.0 & Up	Brass	None
	-06	2.0 - 40.0	Carbonyl TH	Purple
	-07	40.0 - 300.0	Carbonyl SF	Blue

MATERIAL SPECIFICATIONS			
Component	Material	Finish	
Coil Form	Polyester Glass	-	
Terminal Base	Mounting Pin	Brass	Hot Solder Dip - Centrifuged
	Base	Diallyl, Type SDG-F	-
Tuning Core	Brass	Rhodium Flash over Silver	
	Powdered Iron	Moisture Proofed	

Temperature Range: -55°C to +125°C

Tolerance unless otherwise stated $\pm .005$ (0,13)