

PLEASE CHECK WWW.MOLEX.COM FOR LATEST PART INFORMATION

Part Number: [0878324012](#)
Status: **Active**
Overview: milligrd
Description: 2.00mm (.079") Pitch Milli-Grid™ Header, Surface Mount, Vertical, Shrouded, Lead-free, 40 Circuits, 0.38µm (15µ") Gold (Au) Plating, with Locking Windows, Center Polarization Slot, without Cap, without PCB Locator, Tube

Documents:

[3D Model](#) [RoHS Certificate of Compliance \(PDF\)](#)
[Drawing \(PDF\)](#)

Agency Certification

CSA LR19980
 UL E29179

General

Product Family PCB Headers
 Series [87832](#)
 Application Wire-to-Board
 Comments Contact Molex for application in automotive industry
 Overview [milligrd](#)
 Product Name Milli-Grid™

Physical

Breakaway No
 Circuits (Loaded) 40
 Circuits (maximum) 40
 Color - Resin Black
 First Mate / Last Break No
 Flammability 94V-0
 Glow-Wire Compliant No
 Guide to Mating Part No
 Keying to Mating Part Yes
 Lock to Mating Part Yes
 Material - Metal Phosphor Bronze
 Material - Plating Mating Gold
 Material - Plating Termination Tin
 Material - Resin Nylon
 Number of Rows 2
 Orientation Vertical
 PCB Locator No
 PCB Retention None
 Packaging Type Tube
 Pitch - Mating Interface (in) 0.079 In
 Pitch - Mating Interface (mm) 2.00 mm
 Pitch - Term. Interface (in) 0.079 In
 Pitch - Term. Interface (mm) 2.00 mm
 Plating min: Mating (µin) 15
 Plating min: Mating (µm) 0.38
 Plating min: Termination (µin) 75
 Plating min: Termination (µm) 1.88
 Polarized to Mating Part Side Slots (2)
 Polarized to PCB No
 Shrouded Fully
 Stackable No
 Temperature Range - Operating -55°C to +105°C

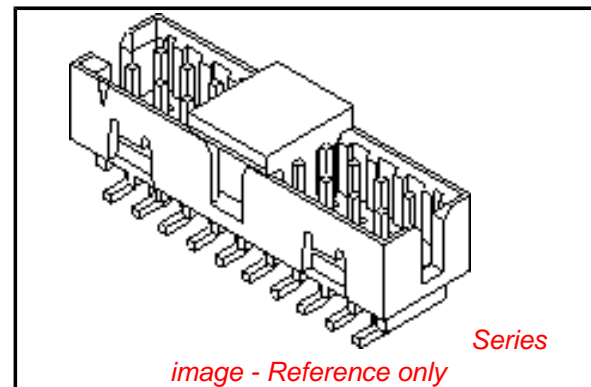


image - Reference only

EU RoHS

ELV and RoHS Compliant
REACH SVHC Contains SVHC: No
Halogen-Free Status
Not Reviewed

China RoHS



Need more information on product environmental compliance?

Email productcompliance@molex.com
 For a multiple part number RoHS Certificate of Compliance, [click here](#)

Please visit the [Contact Us](#) section for any non-product compliance questions.

Search Parts in this Series

[87832Series](#)

Mates With

[50394](#) Wire-to-Board Terminals. [51110](#) Wire-to-Board Crimp Housing. [87568](#) Wire-to-Board IDT Housings. [79107](#) Board-to-Board Top Entry Through Hole Receptacle. [79108](#) Board-to-Board FFC/FPC Top Entry Through Hole Receptacle. L

Termination Interface: Style

Surface Mount

Electrical

Current - Maximum per Contact

2A

Voltage - Maximum

125V

Material Info

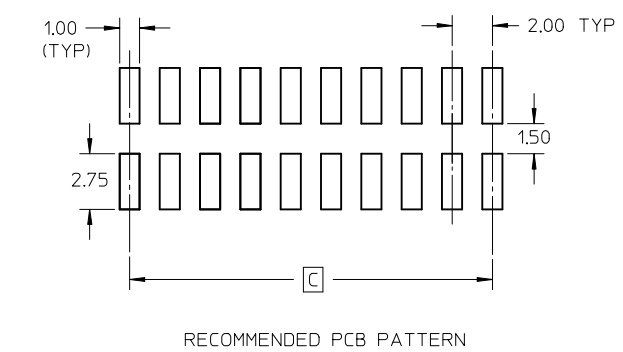
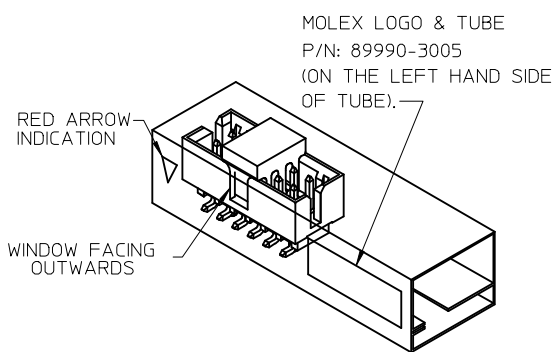
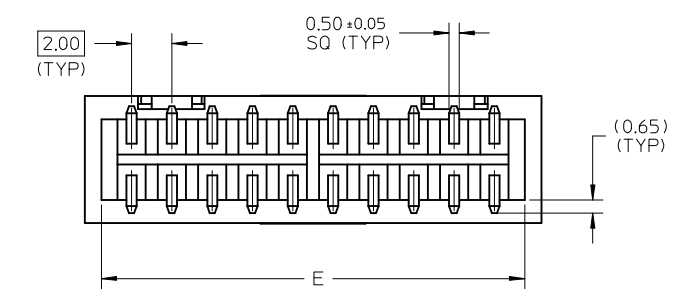
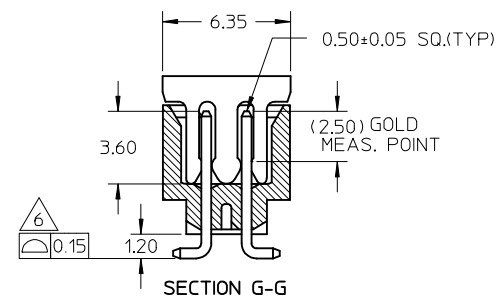
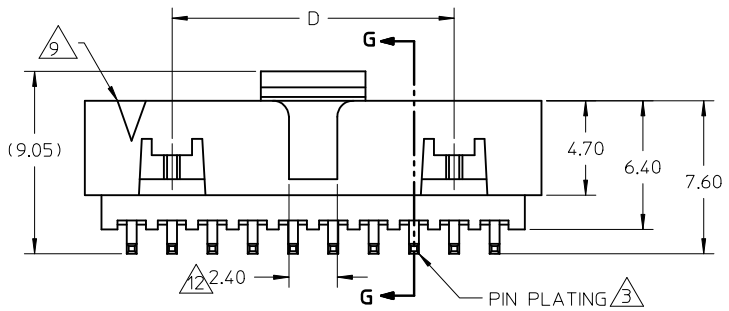
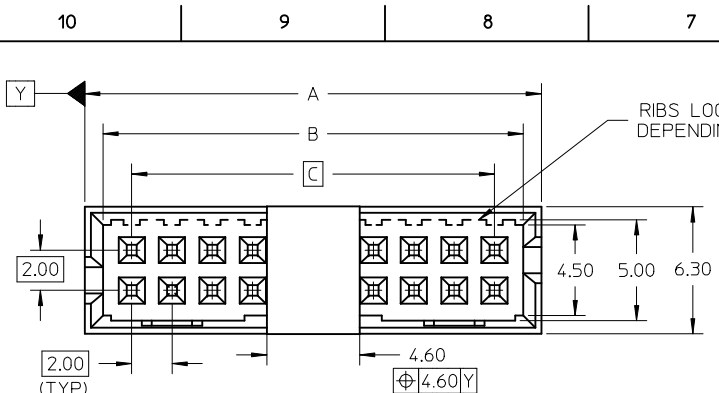
Reference - Drawing Numbers

Sales Drawing

SD-87832-008

This document was generated on 05/26/2010

PLEASE CHECK WWW.MOLEX.COM FOR LATEST PART INFORMATION



P/N W/CAP IN TUBE	P/N W/CAP IN T&R	P/N W/O CAP IN TUBE	CKT SIZE	DIMENSION				
				A	B	C	D	E
87832-0616	87832-0614	87832-0612	6	8.65	6.85	4.00	---	7.00
87832-0816	87832-0814	87832-0812	8	10.65	8.85	6.00	---	9.00
87832-1416	87832-1414	87832-1412	14	16.65	14.85	12.00	8.00	15.00
87832-1816	87832-1814	87832-1812	18	20.65	18.85	16.00	12.00	19.00
87832-2016	87832-2014	87832-2012	20	22.65	20.85	18.00	14.00	21.00
87832-2616	---	87832-2612	26	28.65	26.85	24.00	20.00	27.00
87832-3016	87832-3014	87832-3012	30	32.65	30.85	28.00	24.00	31.00
87832-3416	87832-3414	87832-3412	34	36.65	34.85	32.00	28.00	35.00
87832-4016	---	87832-4012	40	42.65	40.85	38.00	34.00	41.00
87832-5016	---	87832-5012	50	52.65	50.85	48.00	44.00	51.00
87832-1016	87832-1014	87832-1012	10	12.65	10.85	8.00	---	11.00
87832-1616	87832-1614	87832-1612	16	18.65	16.85	14.00	10.00	17.00

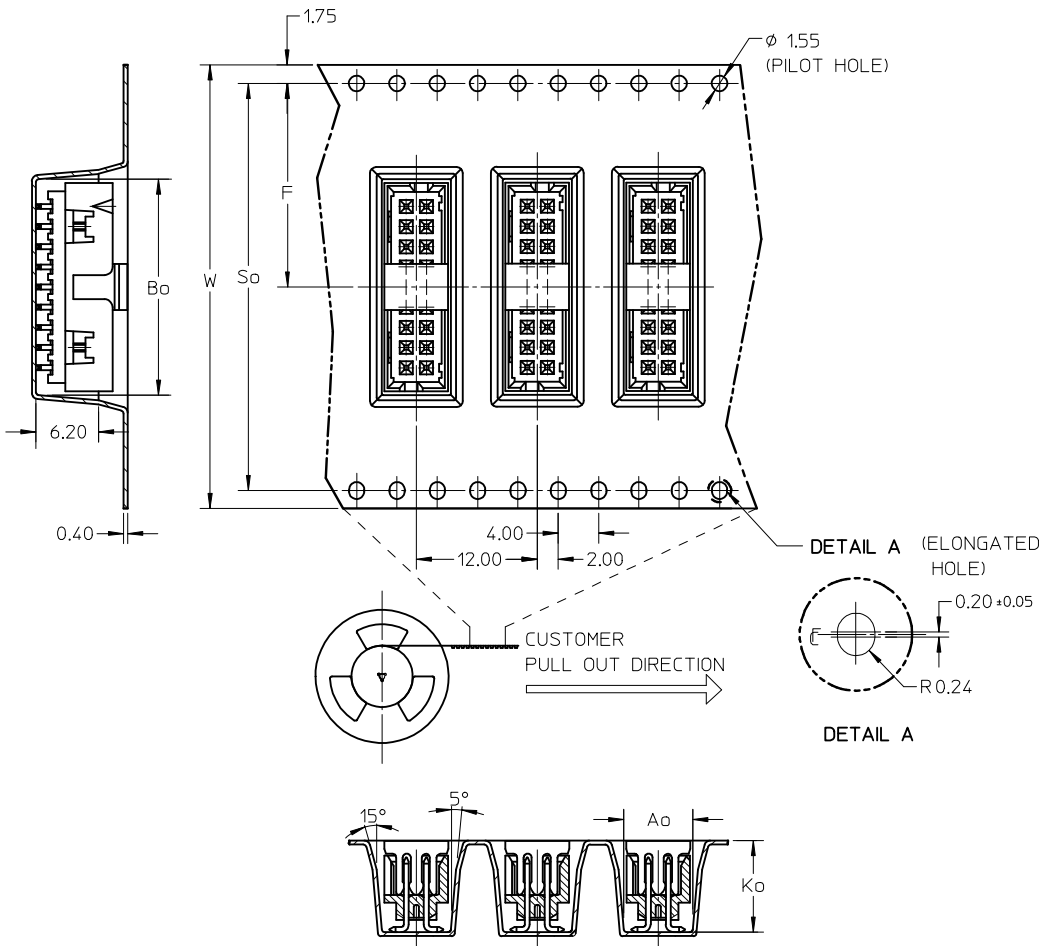
- NOTES:
- FOR ILLUSTRATION PURPOSES, 20 CIRCUIT SIZE WAFER IS SHOWN.
 - MATERIAL :
HOUSING & CAP : NYLON 46, GLASS FILLED, UL94V-0, COLOR BLACK.
PIN : 0.50MM SQ.PHOSPHOR BRONZE.
 - PLATING:
0.38um/15uin GOLD IN CONTACT AREA AND 1.88um/75uin MIN.TIN IN SOLDER TAIL AREA OVER 1.27um/50uin MIN. NICKEL OVERALL.
 - PIN PUSHOUT FORCE : 0.91 KG MIN. IN EITHER DIRECTION.
 - PRODUCT SPECIFICATION PS-87831-027 APPLIES.
 - COPLANARITY IS TO BE MEASURED BY RESTING THE SOLDER TAIL ON A GAUGE SURFACE.
 - BEND DEPRESSION ON SMT TAIL IS ACCEPTABLE SO LONG AS IT DOES NOT AFFECT THE OVERALL COPLANARITY OF THE TAIL.
 - NO SIDE LOCKING SLOT FROM 6, 8, AND 10 CKT SIZE.
 - CKT 4 & 6 HAS NO IDENTIFICATION TAG.
 - THIS HEADER MATES WITH MOLEX:
 - CRIMP RECEPTACLE HOUSING, 51110 SERIES WITH CRIMP TERMINAL, 50394 SERIES.
 - 2MM MILLIGRID DUAL ROW IDT, 87568 SERIES.
 - PARTS SHALL BE PACKED IN MOISTURE BARRIER BAG WITH DESICCANT GEL.
 - NO CENTRE POLARIZATION SLOT FOR CKT SIZE 6

REF : ORIENTATION OF PART IN TUBE,
(FOR THE REFERENCE OF PART/TUBE ASSEMBLY.)

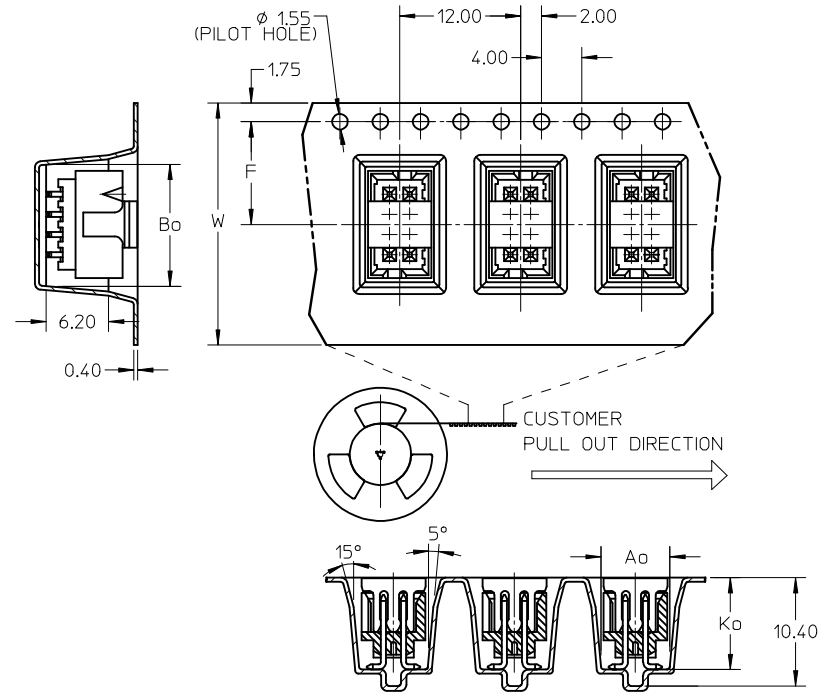
ADD IN NOTES NO.12 EC NO: S2009-0943 DRWN:YMCHEONG CHKD:SKANG APPR:MLONG 2009/07/01 2009/07/08 2009/07/16	QUALITY SYMBOLS ▽=0 ◯=0	GENERAL TOLERANCES (UNLESS SPECIFIED) mm INCH 4 PLACES ± --- ± --- 3 PLACES ± --- ± --- 2 PLACES ± 0.2 ± --- 1 PLACE ± --- ± --- ANGULAR ± 3 °	DIMENSION STYLE MM ONLY DRAWN BY DATE ATSEE 2003/10/14 CHECKED BY DATE KCLING 2003/11/07 APPROVED BY DATE SKTOH 2003/11/07	SCALE NTS DESIGN UNITS METRIC THIRD ANGLE PROJECTION	TITLE MGRID, SHROUDED HEADER W/CAP, IN TUBE AND T&R SMT MOLEX INCORPORATED DOCUMENT NO. SD-87832-008 SHEET NO. 1 OF 3	
	DRAFT WHERE APPLICABLE MUST REMAIN WITHIN DIMENSIONS	SIZE A3 THIS DRAWING CONTAINS INFORMATION THAT IS PROPRIETARY TO MOLEX INCORPORATED AND SHOULD NOT BE USED WITHOUT WRITTEN PERMISSION				
	B4	REV				

P/N W/CAP IN T&R	CKT SIZE	W	F	Bo	So	Ao	Ko	TYPE	T&R QUANTITY (PCS/REEL)
87832-0614	06	24.00	11.50	9.15	-	6.40	9.30	A	500
87832-0814	08	24.00	11.50	11.05	-	6.40	9.30	A	
87832-1014	10	24.00	11.50	13.05	-	6.40	9.30	A	
87832-1414	14	32.00	14.20	17.05	28.40	6.40	9.30	C	
87832-1614	16	32.00	14.20	19.05	28.40	6.40	9.30	C	
87832-1814	18	44.00	20.20	21.05	40.40	6.40	9.30	B	
87832-2014	20	44.00	20.20	23.05	40.40	6.40	9.30	C	
87832-3014	30	44.00	20.20	33.05	40.40	6.40	9.30	B	
87832-3414	34	56.00	26.20	37.05	52.40	6.40	9.30	B	

EMBOSSED CARRIER TAPE 'B'

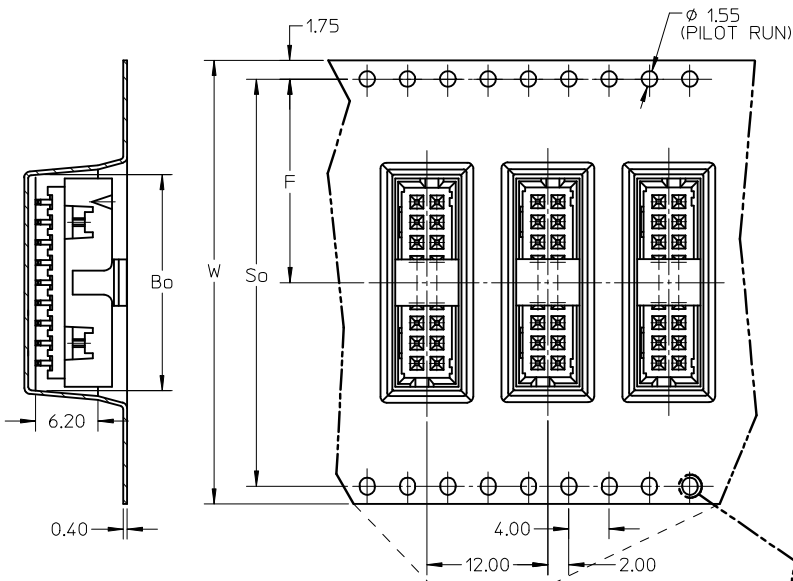


EMBOSSED CARRIER TAPE 'A'



ADD IN NOTES NO.12 EC NO: S2009-0943 DRWN: YMCHONG CHKD: SKANG APPR: MLONG	2009/07/07 2009/07/08 2009/07/16	QUALITY SYMBOLS ▽=0 ◻=0	GENERAL TOLERANCES (UNLESS SPECIFIED) mm INCH 4 PLACES ± --- ± --- 3 PLACES ± --- ± --- 2 PLACES ± 0.2 ± --- 1 PLACE ± --- ± --- ANGULAR ± 3 °	DIMENSION STYLE MM ONLY DRAWN BY: ATSEE CHECKED BY: KCL ING APPROVED BY: SKTOH MATERIAL NO. SKTOH	SCALE: NTS DESIGN UNITS: METRIC THIRD ANGLE PROJECTION	DATE: 2003/10/14 DATE: 2003/11/07 DATE: 2003/11/07	TITLE: MGRID, SHROUDED HEADER W/CAP, IN TUBE AND T&R SMT MOLEX INCORPORATED	SHEET NO. 2 OF 3
	B4	DESCRIPTION	DRAFT WHERE APPLICABLE MUST REMAIN WITHIN DIMENSIONS	SEE TABLE	DOCUMENT NO. SD-87832-008	MOLEX	SHEET NO. 2 OF 3	
	THIS DRAWING CONTAINS INFORMATION THAT IS PROPRIETARY TO MOLEX INCORPORATED AND SHOULD NOT BE USED WITHOUT WRITTEN PERMISSION							

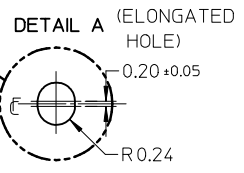
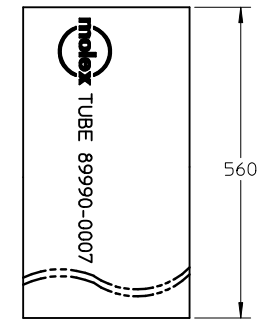
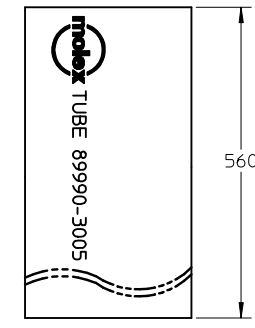
EMBOSSED CARRIER TAPE 'C'



P/N W/CAP IN TUBE TUBE : 89990-3005	P/N W/O CAP IN TUBE TUBE : 89990-0007
87832-0616	87832-0612
87832-0816	87832-0812
87832-1416	87832-1412
87832-1816	87832-1812
87832-2016	87832-2012
87832-2616	87832-2612
87832-3016	87832-3012
87832-3416	87832-3412
87832-4016	87832-4012
87832-5016	87832-5012
87832-1016	87832-1012
87832-1616	87832-1612

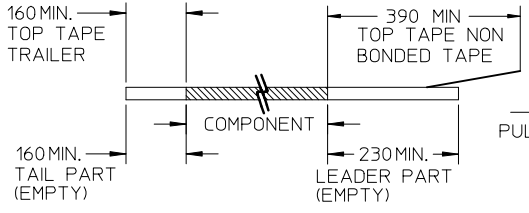
ASSY WITH CAP TUBE

ASSY WITHOUT CAP IN TUBE

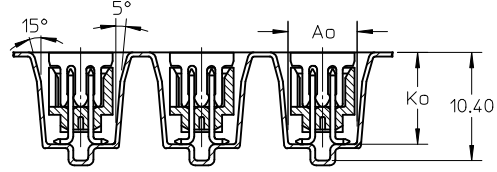


NOTES:

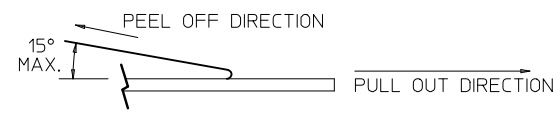
1. LEADER AND TRAILER TAPE



PULL OUT DIRECTION



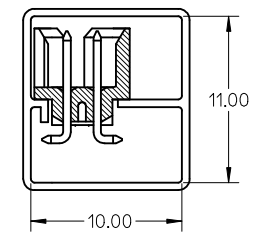
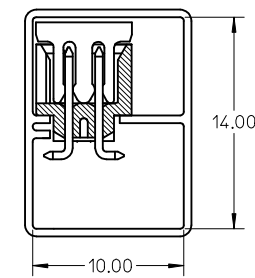
2. PEELING OFF FORCE OF THE TOP TAPE: 20-80gf.
(PEELING DIRECTION AS SHOWN IN FOLLOWING FIGURE)



3. PACKAGING STANDARD IS AS PER EIA-481.

4. TAPE AND REEL QUANTITY = SEE TABLE ON SHEET 2

5. THE TAPE IS TREATED FOR ANTI-STATIC.



ADD IN NOTES NO.12 EC NO: S2009-0943 DRWN:YMCCHONG CHKD:SKANG APPR:MLONG	2009/07/01	2009/07/08	2009/07/16
	DESCRIPTION		
	REV		
	B4		

QUALITY SYMBOLS	GENERAL TOLERANCES (UNLESS SPECIFIED)	
	mm	INCH
▽=0	4 PLACES ± ---	± ---
◻=0	3 PLACES ± ---	± ---
	2 PLACES ± 0.2	± ---
	1 PLACE ± ---	± ---
	ANGULAR ± 3 °	
	DRAFT WHERE APPLICABLE MUST REMAIN WITHIN DIMENSIONS	

DIMENSION STYLE		SCALE	DESIGN UNITS	THIRD ANGLE PROJECTION
MM ONLY		NTS	METRIC	⊙
DRAWN BY	DATE	TITLE		
ATSEE	2003/10/14	MGRID, SHROUDED HEADER W/CAP, IN TUBE AND T&R SMT		
CHECKED BY	DATE	Molex MOLEX INCORPORATED		
KCL ING	2003/11/07	DOCUMENT NO. SD-87832-008		
APPROVED BY	DATE	SHEET NO. 3 OF 3		
SKTOH	2003/11/07	THIS DRAWING CONTAINS INFORMATION THAT IS PROPRIETARY TO MOLEX INCORPORATED AND SHOULD NOT BE USED WITHOUT WRITTEN PERMISSION		
MATERIAL NO.	SEE TABLE			
SIZE	A3			