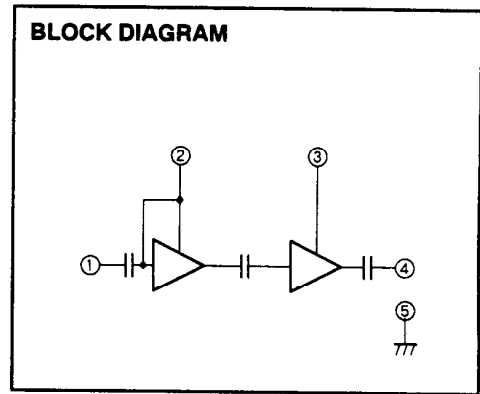
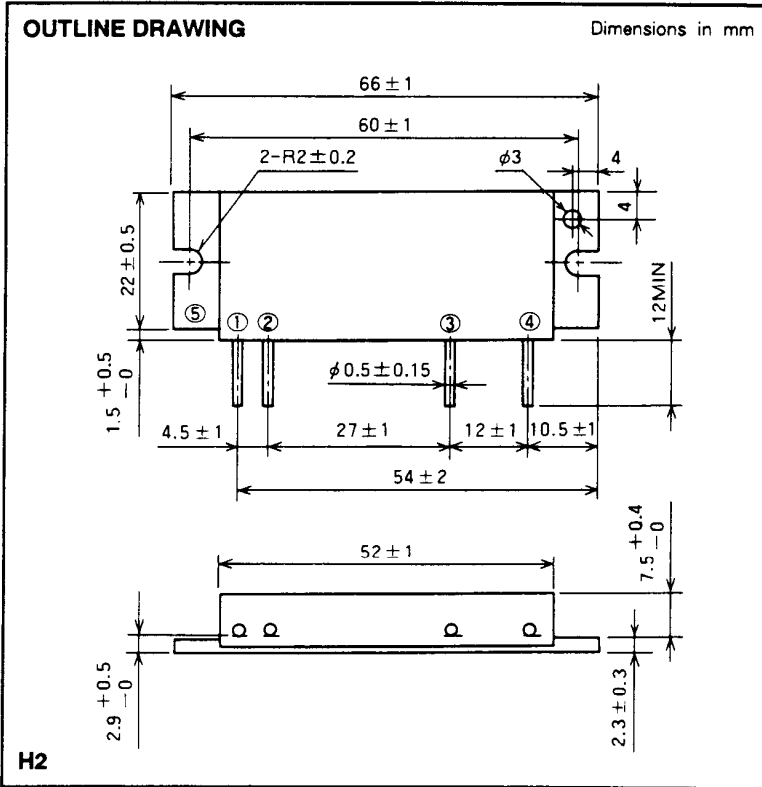


M57706

145-175MHz, 12.5V, 8W, FM MOBILE RADIO



PIN :
 ①Pin : RF INPUT
 ②Vcc1 : 1st. DC SUPPLY
 ③Vcc2 : 2nd. DC SUPPLY
 ④Po : RF OUTPUT
 ⑤GND : FIN

ABSOLUTE MAXIMUM RATINGS (Tc = 25°C unless otherwise noted)

Symbol	Parameter	Conditions	Ratings	Unit
Vcc	Supply voltage		17	V
Icc	Total current		5	A
P _{in(max)}	Input power	Z _G = Z _L = 50 Ω	0.4	W
P _{O(max)}	Output power	Z _G = Z _L = 50 Ω	12	W
T _{C(OP)}	Operation case temperature		- 30 to 110	°C
T _{stg}	Storage temperature		- 40 to 110	°C

Note. Above parameters are guaranteed independently.

ELECTRICAL CHARACTERISTICS (Tc = 25°C unless otherwise noted)

Symbol	Parameter	Test conditions	Limits		Unit
			Min	Max	
f	Frequency range	P _{in} = 0.2W Vcc = 12.5V Z _G = Z _L = 50 Ω	145	175	MHz
P _O	Output power		8		W
η _T	Total efficiency		35		%
2f _o	2nd. harmonic			- 15	dBc
3f _o	3rd. harmonic			- 25	dBc
ρ _{in}	Input VSWR			4	-
-	Load VSWR tolerance	Vcc = 15.2V, P _O = 12W (P _{in} : controlled) Load VSWR=20:1(All phase), 2sec. Z _G = 50Ω	No degradation or destroy		-

Note. Above parameters, ratings, limits and conditions are subject to change.