

M81511/19 Dummy Stowage Receptacle



Dummy
Stowage
Receptacles

Mating Connector
MIL-C-81511
Series 2

M81511/19-14-1
Basic Part No. _____
Shell Size _____
Finish:
1 = Cadmium Olive Drab
2 = Dull Chromium over Nickel

Inactive for New Design

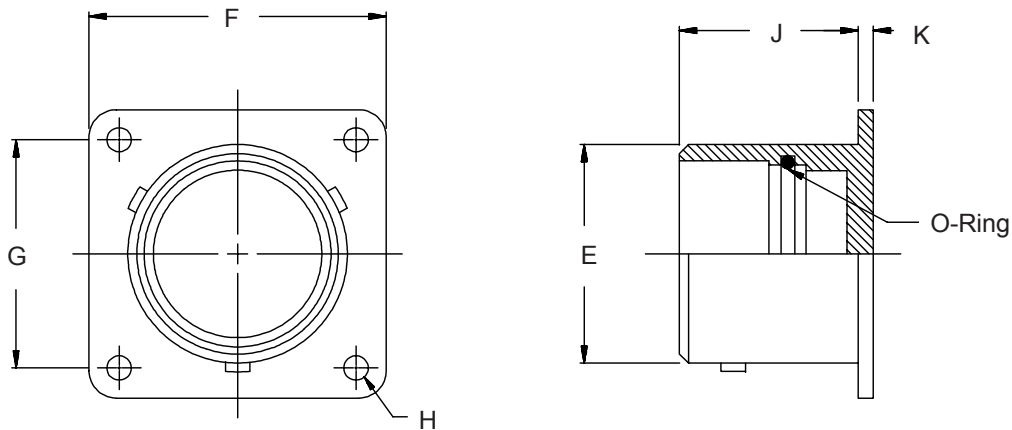


TABLE I

Shell Size	E Dia		F Sq.		G Sq.		H		J		K	
	$\pm.003$	(.1)	$\pm.008$	(.2)	$\pm.005$	(.1)	$\pm.005$	(.1)	$\pm.010$	(.3)	$\pm.005$	(.1)
08	.550	(14.0)	.812	(20.6)	.594	(15.1)	.121	(3.1)	.645	(16.4)	.070	(1.8)
10	.675	(17.1)	.937	(23.8)	.719	(18.3)	.121	(3.1)	.645	(16.4)	.070	(1.8)
14	.925	(23.5)	1.125	(28.6)	.906	(23.0)	.121	(3.1)	.645	(16.4)	.070	(1.8)
16	1.051	(26.7)	1.250	(31.8)	.969	(24.6)	.121	(3.1)	.645	(16.4)	.070	(1.8)
18	1.175	(29.8)	1.343	(34.1)	1.062	(27.0)	.121	(3.1)	.645	(16.4)	.070	(1.8)

1. For complete dimensions see applicable Military Specification.
2. Metric dimensions (mm) are indicated in parentheses.