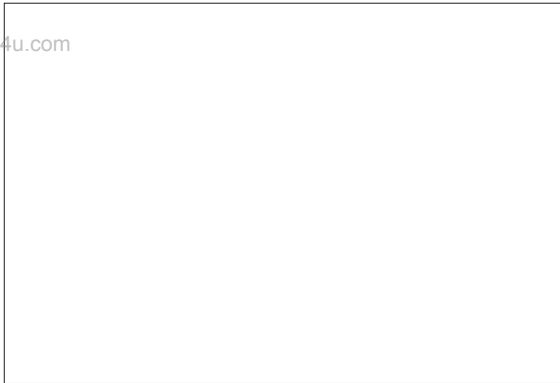


# SMTC1-300F



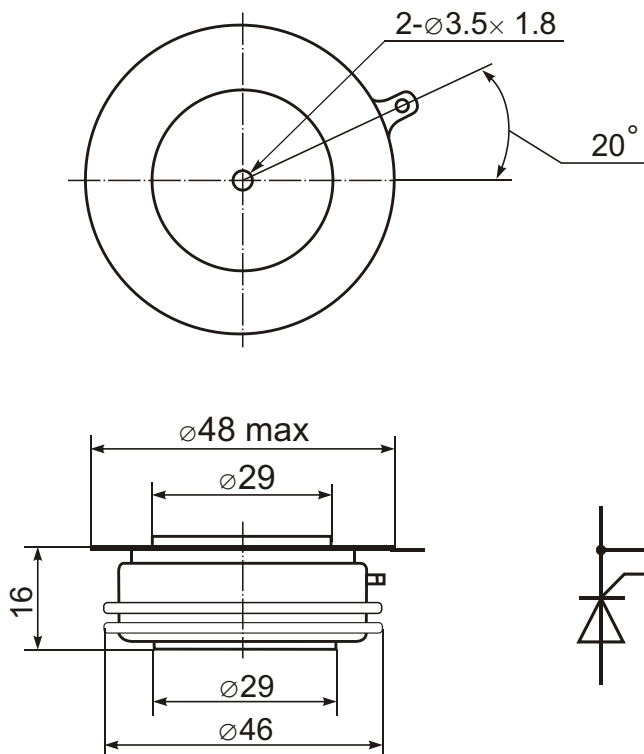
## Fast Turn-off Thyristor

www.datasheet4u.com



Type	$V_{RSM}$	$V_{RRM}$ , $V_{DRM}$
SMTC1-300F-6	700	600
SMTC1-300F-8	900	800
SMTC1-300F-10	1100	1000
SMTC1-300F-12	1300	1200
SMTC1-300F-14	1500	1400
SMTC1-300F-16	1700	1600

Type	$I_{TAVM}$ $T_c=55^\circ\text{C}$	$I_{TRMS}$	$I_{TSM}$	$(di/dt)_{cr}$	$(dv/dt)_{cr}$	$V_{TM}$	$I_{TM}$	$V_{TO}$	$r_T$	$V_{GT}$	$I_{GT}$	$T_{VJM}$	$R_{thJC}$	F
	A	A	kA	A/ $\mu\text{s}$	V/ $\mu\text{s}$	V	A	V	$m\Omega$	V	mA	$^\circ\text{C}$	K/W	kN
SMTC1-300F	300	520	3.8	200	500-1000	2.6	800	1.20	0.87	2.5	250	115	0.055	10



Type	$t_q$ ( $T_c=105^\circ\text{C}$ )
	$\mu\text{s}$
SMTC1-300F-xx-OED1	16
SMTC1-300F-xx-NED1	20
SMTC1-300F-xx-MED1	25
SMTC1-300F-xx-LED1	30
SMTC1-300F-xx-KED1	40

### Features:

- Hermetic metal case with ceramic insulator
- Capsule packages for double sided cooling
- International standard case
- Amplifying gates

### Typical Applications:

- DC motor control
- AC motor soft starter
- Controlled rectifiers
- AC controllers