

PLEASE CHECK WWW.MOLEX.COM FOR LATEST PART INFORMATION

Part Number: [0345760703](#)
Status: **Active**
Overview: [mx123 sealed connection systems](#)
Description: 2.54mm (.100") Pitch, MX123™ Female Receptacle Housing, Keying Option G, Wire Dress Option 0, 56 Circuits, Blue TPA

Documents:

[Drawing \(PDF\)](#) [RoHS Certificate of Compliance \(PDF\)](#)
[Product Specification PS-34566-0000 \(PDF\)](#)

General

| | |
|----------------|---|
| Product Family | Crimp Housings |
| Series | 34576 |
| Comments | See Sales Drawing for number of Open Circuits |
| Overview | mx123 sealed connection systems |
| Product Name | MX123 |

Physical

| | |
|-------------------------------|-----------------|
| Circuits (maximum) | 56 |
| Circuits Detail | 56 |
| Color - Resin | Blue |
| Gender | Female |
| Glow-Wire Compliant | No |
| Keying to Mating Part | Yes |
| Lock to Mating Part | Yes |
| Material - Resin | Nylon |
| Number of Rows | 4 |
| Packaging Type | Tray |
| Panel Mount | No |
| Pitch - Mating Interface (in) | 0.100 In |
| Pitch - Mating Interface (mm) | 2.54 mm |
| Pitch - Term. Interface (in) | 0.100 In |
| Pitch - Term. Interface (mm) | 2.54 mm |
| Polarized to Mating Part | Yes |
| Stackable | No |
| Temperature Range - Operating | -40°C to +125°C |

Electrical

| | |
|-------------------------------|----------|
| Current - Maximum per Contact | 11A, 25A |
|-------------------------------|----------|

Material Info

Reference - Drawing Numbers

| | |
|---------------------------|---------------|
| Application Specification | AS-34566-001 |
| Packaging Specification | PK-31300-019 |
| Product Specification | PS-34566-0000 |
| Sales Drawing | SD-34576-001 |



EU RoHS

ELV and RoHS Compliant
REACH SVHC
 Not Reviewed
Halogen-Free
Status
Not Reviewed

China RoHS



Need more information on product environmental compliance?

Email productcompliance@molex.com
 For a multiple part number RoHS Certificate of Compliance, [click here](#)

Please visit the [Contact Us](#) section for any non-product compliance questions.

Search Parts in this Series

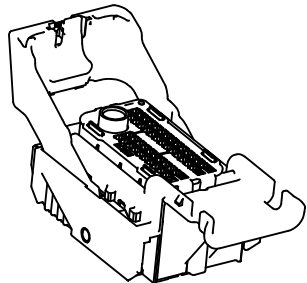
[34576Series](#)

Mates With

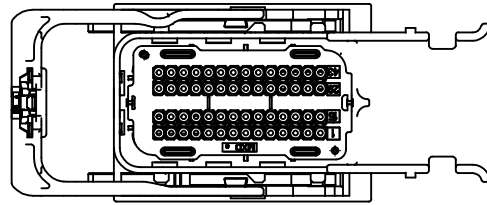
MX123™ Female Header [31386](#) , [31387](#)

Use With

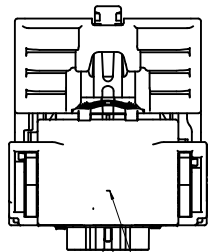
MX64 Female Terminals [33467](#)



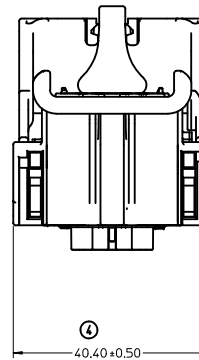
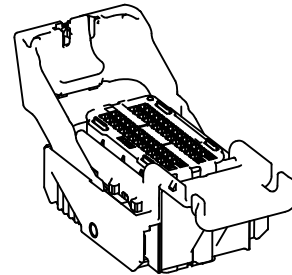
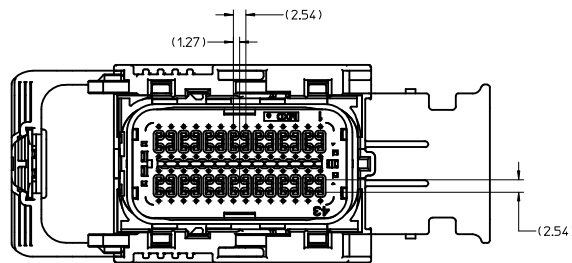
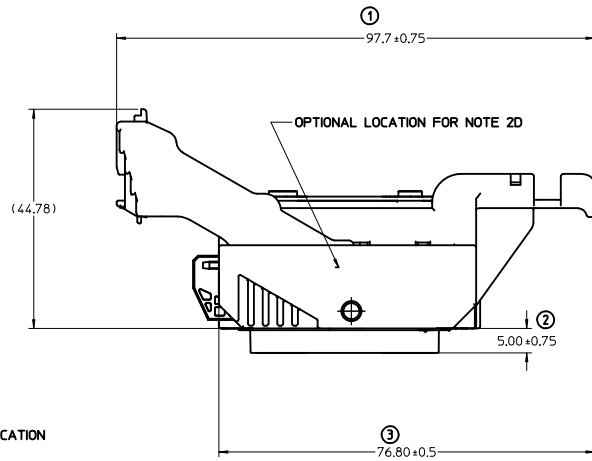
49 CKT
SCALE 1.5:1



56 CKT
SCALE 1.5:1



RECOMMENDED LOCATION FOR NOTE 2D



BALLOONS ADDED ① ② ③ ④

NOTES: UNLESS OTHERWISE SPECIFIED

1. MATERIAL:

- A. RESIN: SEE COMPONENT DRAWINGS
- B. COLOR: SEE TABLE

2. DESIGN - GENERAL:

- A. THIS IS A 100% CAD GENERATED PART. THE CAD MATHEMATICAL DATA IS THE MASTER FOR THIS PART. FOR DIMENSIONAL OR ANY INFORMATION NOT SHOWN ON THIS DRAWING, ANALYZE THE CAD MODEL.
- B. TOLERANCES:
 - a. LINEAR: XX ± 0.30, XXX ± 0.10, XXXX ± 0.10
 - b. ANGULAR: X° ± 3.0°
- C. CORNERS SHOWN AS SHARP TO BE R 0.2 MAX.
- D. FOLLOWING PRODUCTION CODES TO BE PERMANENTLY MARKED & HUMAN READABLE TO A LETTER HEIGHT < 3mm.
 - LINE #1: MATERIAL #: XXXX-XXXX
 - LINE #2: DATE CODE: JJY (JULIAN DAY, LAST DIGIT OF YEAR)
 - LINE #3: INSPECTION MACHINE CODE + SERIAL #: X-XXXX
- E-1. PARTS MUST BE FREE OF DISCOLORATION, SALT RESIDUE AND OTHER IMPERFECTIONS THAT AFFECT FIT OR FUNCTION.
- E-2. SCRATCHES OR DENTS NOT TO EXCEED 0.13mm IN DEPTH.
- F. CHANGES IN DESIGN FROM PART PREVIOUSLY APPROVED REQUIRES PRIOR ENGINEERING APPROVAL. THIS INCLUDES BUT IS NOT LIMITED TO DRAFT, MATERIAL OR PROCESSING.
- G. SHALL CONFORM TO THE FOLLOWING PACKAGING SPECIFICATION: PK-31300-019

3. DESIGN - MANUFACTURING:

- A. DRAFT TO BE WITHIN TOLERANCE.
- B. ALLOWABLE FLASH 0.2 MAX HIGH X 0.13 MAX THICK.
- C. ALLOWABLE PARTING LINE MISMATCH 0.2 MAX.
- D. EJECTOR PINS MARK TO BE FLUSH TO 0.25 MAX DEPRESSED.
- E. ALLOWABLE GATE VESTIGE TO BE FLUSH TO 0.25 MAX PROTRUSION.

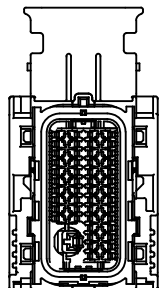
4. SYSTEM REQUIREMENTS:

- WHEN TESTED TO SAE/USCAR-2 REV: 3, APRIL 2001, AND GMW #3191, AUGUST 22, 2000 (DRAFT).
- A. TPA (WITHOUT TERMINALS)
 - a. INSERTION FORCE FROM PRE-SET TO LOCK: >20
 - b. REMOVAL FORCE FROM PRE-SET: >20
 - B. CPA
 - a. INSERTION FORCE FROM PRE-SET TO LOCK WITH CONNECTOR UN-MATED: >60N
 - b. REMOVAL FORCE FROM PRE-SET: >30N
 - C. GROMMET CAP
 - a. REMOVAL FORCE FROM HOUSING WITH ENGAGED LATCHES: >110N
 - D. MATE ASSIST LEVER
 - a. INADVERTENT ACTUATION FORCE DURING SHIPPING, HANDLING OR PRE-ASSEMBLY: >190N

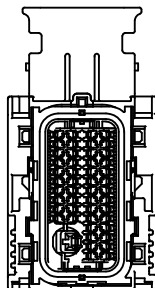
| REV | DESCRIPTION |
|-----|-----------------------------------|
| F15 | NEW PIN CONFIGURATION |
| F14 | NEW PIN CONFIGURATION |
| F13 | NEW PIN CONFIGURATION |
| F12 | NEW PIN CONFIGURATION |
| F11 | NEW PIN CONFIGURATION |
| F10 | NEW PIN CONFIGURATION |
| F9 | NEW PIN CONFIGURATION |
| F8 | CORRECTED MATERIAL NUMBER |
| F7 | NEW PIN CONFIGURATION |
| F6 | NEW PIN CONFIGURATION |
| F5 | RELEASE INTO ONE-SPACE FROM PRO-E |

| ENTER DESCRIPTION DEC NO: UAU2010-1803 DRAWN BY: 2010/06/02 CHECKED BY: 2008/02/20 APPR: TSK/VER APPROV: VKOSHY 2010/06/04 | QUALITY SYMBOLS | GENERAL TOLERANCES (UNLESS SPECIFIED) | DIMENSION STYLE | SCALE | DESIGN UNITS | THIRD ANGLE PROJECTION | | | | | | | | | | |
|--|--------------------------|---|---------------------------------------|--------------------|---------------------------|------------------------|---------------|------|--------------|-----|-----------|---|---------|-----|--------|--|
| | $\nabla=0$ $\nabla=0$ | <table border="1"> <tr> <th>mm</th> <th>INCH</th> </tr> <tr> <td>4 PLACES +----</td> <td>+----</td> </tr> <tr> <td>3 PLACES +---</td> <td>+---</td> </tr> <tr> <td>2 PLACES +--</td> <td>+--</td> </tr> <tr> <td>1 PLACE +</td> <td>+</td> </tr> </table> | mm | INCH | 4 PLACES +---- | +---- | 3 PLACES +--- | +--- | 2 PLACES +-- | +-- | 1 PLACE + | + | MM ONLY | 2:1 | METRIC | |
| | mm | INCH | | | | | | | | | | | | | | |
| | 4 PLACES +---- | +---- | | | | | | | | | | | | | | |
| 3 PLACES +--- | +--- | | | | | | | | | | | | | | | |
| 2 PLACES +-- | +-- | | | | | | | | | | | | | | | |
| 1 PLACE + | + | | | | | | | | | | | | | | | |
| DRAFT WHERE APPLICABLE MUST REMAIN WITHIN DIMENSIONS | SEE BOM TABLE | DRAWN BY: SRAJENDRANAT CHECKED BY: TSK/VER APPROVED BY: VKOSHY DATE: 2008/02/20 | TITLE: MX123 49/56 CKT HRNS CONN ASSY | MOLEX INCORPORATED | DOCUMENT NO: SD-34576-001 | SHEET NO: 1 OF 11 | | | | | | | | | | |
| THIS DRAWING CONTAINS INFORMATION THAT IS PROPRIETARY TO MOLEX INCORPORATED AND SHOULD NOT BE USED WITHOUT WRITTEN PERMISSION | | | | | | | | | | | | | | | | |

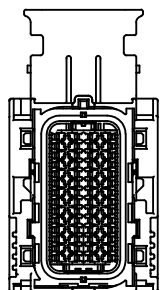
WIRE DRESS OPTION 0
HOUSING ONLY, SHOWN FOR CLARITY



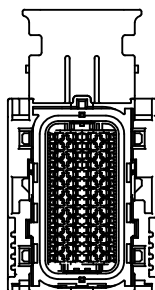
40 OKT
KEY OPTION A



40 OKT
KEY OPTION B



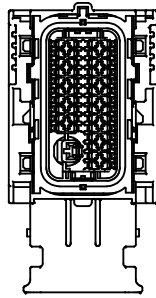
56 OKT
KEY OPTION G



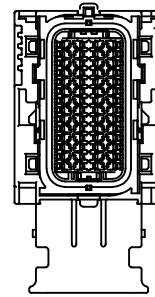
56 OKT
KEY OPTION H

| ENTER DESCRIPTION EC NO: UAU2010-1803 DRAWN BY: CHYK/TSK/VER DATE: 2010/06/02 CHECKED BY: APPR:VKOSHY DATE: 2008/02/20 APPROVED BY: 2010/06/04 | QUALITY SYMBOLS ▽=0 ▽=0 | GENERAL TOLERANCES (UNLESS SPECIFIED) <table border="1"> <thead> <tr> <th></th> <th>mm</th> <th>INCH</th> </tr> </thead> <tbody> <tr> <td>4 PLACES</td> <td>±---</td> <td>±---</td> </tr> <tr> <td>3 PLACES</td> <td>±---</td> <td>±---</td> </tr> <tr> <td>2 PLACES</td> <td>±---</td> <td>±---</td> </tr> <tr> <td>1 PLACE</td> <td>±---</td> <td>±---</td> </tr> </tbody> </table> ANGULAR ±---° | | mm | INCH | 4 PLACES | ±--- | ±--- | 3 PLACES | ±--- | ±--- | 2 PLACES | ±--- | ±--- | 1 PLACE | ±--- | ±--- | DIMENSION STYLE MM ONLY | SCALE 1.5:1 | DESIGN UNITS METRIC | THIRD ANGLE PROJECTION |
|---|---|--|---|-----------------------------|------|----------|------|------|----------|------|------|----------|------|------|---------|------|------|-----------------------------------|-----------------------|-------------------------------|------------------------|
| | | mm | INCH | | | | | | | | | | | | | | | | | | |
| | 4 PLACES | ±--- | ±--- | | | | | | | | | | | | | | | | | | |
| | 3 PLACES | ±--- | ±--- | | | | | | | | | | | | | | | | | | |
| 2 PLACES | ±--- | ±--- | | | | | | | | | | | | | | | | | | | |
| 1 PLACE | ±--- | ±--- | | | | | | | | | | | | | | | | | | | |
| DRAWN BY: SRAJENDRANAT DATE: 2008/02/20 CHECKED BY: TSK/VER DATE: 2008/02/20 APPROVED BY: VKOSHY DATE: 2008/02/20 | TITLE MX123 49/56 CKT HRNS CONN ASSY | MATERIAL NO. | DOCUMENT NO. MOLEX INCORPORATED | SHEET NO. 2 OF 11 | | | | | | | | | | | | | | | | | |
| SEE BOM TABLE | THIS DRAWING CONTAINS INFORMATION THAT IS PROPRIETARY TO MOLEX INCORPORATED AND SHOULD NOT BE USED WITHOUT WRITTEN PERMISSION | | | | | | | | | | | | | | | | | | | | |
| DRAFT WHERE APPLICABLE MUST REMAIN WITHIN DIMENSIONS | | | | | | | | | | | | | | | | | | | | | |

WIRE DRESS OPTION 9
HOUSING ONLY, SHOWN FOR CLARITY



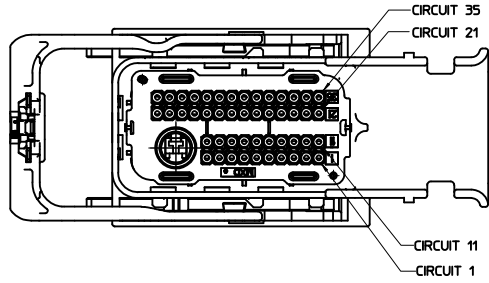
49 OKT
KEY OPTION A



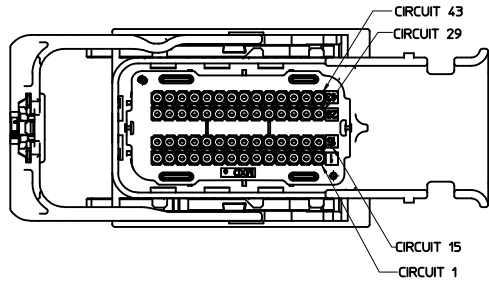
56 OKT
KEY OPTION G

| | | | | | | | | | |
|--|--------------------------------------|---|------------|--|---|------------------------|---------------------------|--|--|
| ENTER DESCRIPTION EC NO: UAU2010-1803 DRAWN BY: CHKD:TSK IVER APPR: VKOSHY 2010/06/02 2008/02/20 2010/06/04 | QUALITY SYMBOLS ▽=0 ▽=0 | GENERAL TOLERANCES (UNLESS SPECIFIED) | | DIMENSION STYLE MM ONLY | SCALE 1.5:1 | DESIGN UNITS METRIC | THIRD ANGLE PROJECTION | | |
| | | 4 PLACES ±---+--- 3 PLACES ±---+--- 2 PLACES ±---+--- 1 PLACE ±---+--- | mm INCH | DRAWN BY DATE SRAJENDRANAT 2008/02/20 | TITLE MX123 49/56 OKT HRNS CONN ASSY | | | | |
| | | DRAFT WHERE APPLICABLE MUST REMAIN WITHIN DIMENSIONS | | CHECKED BY DATE TSK IVER 2008/02/20 | MOLEX INCORPORATED | | | | |
| | | SEE BOM TABLE | | APPROVED BY DATE VKOSHY 2008/02/20 | MATERIAL NO. SD-34576-001 | DOCUMENT NO. | SHEET NO. 3 OF 11 | | |

WIRE DRESS OPTION 0

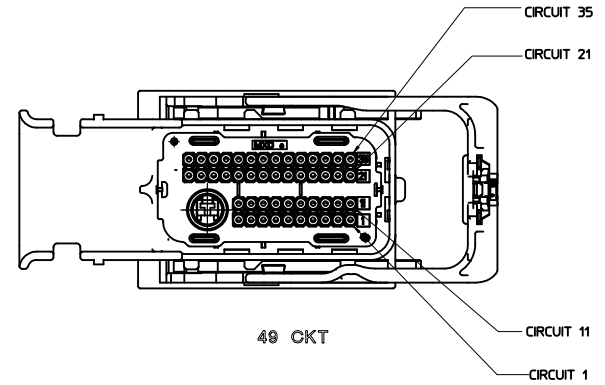


49 CKT

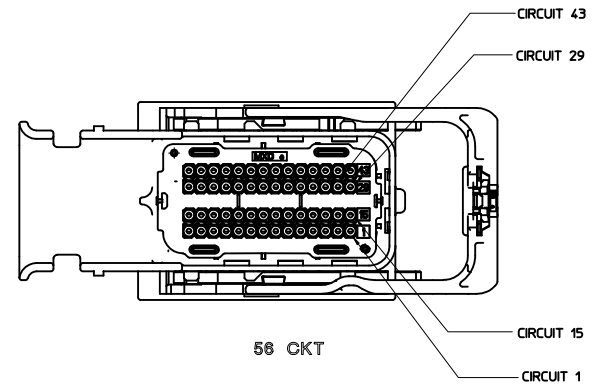


58 CKT

WIRE DRESS OPTION 9



49 CKT



58 CKT

| | | | | | | | |
|--|---|---|-----------------|---------------------------|--------------|---|----------------------|
| ENTER DESCRIPTION EC NO: UAU2010-1803 DRAWN BY: 2010/06/02 CHKD: TSK IVER APPR: VKOSHY 2010/06/04 | QUALITY SYMBOLS | GENERAL TOLERANCES (UNLESS SPECIFIED) | DIMENSION STYLE | SCALE | DESIGN UNITS | THIRD ANGLE PROJECTION | |
| | $\nabla=0$ $\nabla=0$ | mm INCH 4 PLACES ± --- ± --- 3 PLACES ± --- ± --- 2 PLACES ± --- ± --- 1 PLACE ± --- ± --- ANGULAR ± ---° | MM ONLY | 2:1 | METRIC | | |
| | DRAWN BY: SRAJENDRANAT CHECKED BY: TSK IVER APPROVED BY: VKOSHY DATE: 2008/02/20 DATE: 2008/02/20 DATE: 2008/02/20 | DRAFT WHERE APPLICABLE MUST REMAIN WITHIN DIMENSIONS | SEE BOM TABLE | MATERIAL NO. SD-34576-001 | DOCUMENT NO. | TITLE MX123 49/56 CKT HRNS CONN ASSY | SHEET NO. 4 OF 11 |
| | MOLEX INCORPORATED | THIS DRAWING CONTAINS INFORMATION THAT IS PROPRIETARY TO MOLEX INCORPORATED AND SHOULD NOT BE USED WITHOUT WRITTEN PERMISSION | | | | | |

| STATUS | GM PART # | MATERIAL # | PART/MATERIAL REVISION | WIRE DRESS OPTION | KEY OPTION | COLOR (TPA) | NUMBERS INDICATE CAVITIES OPEN FOR CIRCUITS | | | | | | | | | | | | | | | | | | | |
|------------|----------------|------------|------------------------|-------------------|------------|-------------|---|----|----|----|----|----|----|----|----|----|----|----|----|----|----|----|----|----|----|----|
| ACTIVE | TBD | 34576-003 | F | 0 | A | BLACK | | | | | | | | | | | | | | | | | | | | |
| NOT TOOLED | TBD | 34576-0203 | F | 0 | B | ST GRY | 48 | 47 | 46 | 45 | 44 | 43 | 42 | 41 | 40 | 39 | 38 | 37 | 36 | 35 | | | | | | |
| NOT TOOLED | TBD | 34576-0303 | F | 0 | C | BLUE | 34 | 33 | 32 | 31 | 30 | 29 | 28 | 27 | 26 | 25 | 24 | 23 | 22 | 21 | | | | | | |
| NOT TOOLED | TBD | 34576-0403 | F | 0 | D | BROWN | 49 | | | | | | | | | | 20 | 19 | 18 | 17 | 16 | 15 | 14 | 13 | 12 | 11 |
| NOT TOOLED | TBD | 34576-0503 | F | 0 | E | GREEN | | | | | | | | | | | 10 | 9 | 8 | 7 | 6 | 5 | 4 | 3 | 2 | 1 |
| NOT TOOLED | TBD | 34576-0603 | F | 0 | F | NATURAL | | | | | | | | | | | | | | | | | | | | |
| AVAILABLE | 12582680 | 34576-0703 | F | 0 | G | BLUE | | | | | | | | | | | | | | | | | | | | |
| ACTIVE | 12582681 | 34576-0803 | F | 0 | H | ST GRY | 56 | 55 | 54 | 53 | 52 | 51 | 50 | 49 | 48 | 47 | 46 | 45 | 44 | 43 | | | | | | |
| ACTIVE | TBD | 34576-0903 | F | 0 | J | BLACK | 42 | 41 | 40 | 39 | 38 | 37 | 36 | 35 | 34 | 33 | 32 | 31 | 30 | 29 | | | | | | |
| ACTIVE | TBD | 34576-1003 | F | 0 | K | BROWN | 28 | 27 | 26 | 25 | 24 | 23 | 22 | 21 | 20 | 19 | 18 | 17 | 16 | 15 | | | | | | |
| ACTIVE | TBD | 34576-1103 | F | 0 | L | GREEN | 14 | 13 | 12 | 11 | 10 | 9 | 8 | 7 | 6 | 5 | 4 | 3 | 2 | 1 | | | | | | |
| ACTIVE | TBD | 34576-1203 | F | 0 | M | NATURAL | | | | | | | | | | | | | | | | | | | | |
| ACTIVE | TBD | 34576-1303 | F | 9 | A | BLACK | | | | | | | | | | | | | | | | | | | | |
| NOT TOOLED | TBD | 34576-1403 | F | 9 | B | ST GRY | 48 | 47 | 46 | 45 | 44 | 43 | 42 | 41 | 40 | 39 | 38 | 37 | 36 | 35 | | | | | | |
| NOT TOOLED | TBD | 34576-1503 | F | 9 | C | BLUE | 34 | 33 | 32 | 31 | 30 | 29 | 28 | 27 | 26 | 25 | 24 | 23 | 22 | 21 | | | | | | |
| NOT TOOLED | TBD | 34576-1603 | F | 9 | D | BROWN | 49 | | | | | | | | | | 20 | 19 | 18 | 17 | 16 | 15 | 14 | 13 | 12 | 11 |
| NOT TOOLED | TBD | 34576-1703 | F | 9 | E | GREEN | | | | | | | | | | | 10 | 9 | 8 | 7 | 6 | 5 | 4 | 3 | 2 | 1 |
| NOT TOOLED | TBD | 34576-1803 | F | 9 | F | NATURAL | | | | | | | | | | | | | | | | | | | | |
| ACTIVE | 12603600 | 34576-1903 | F | 9 | G | BLUE | | | | | | | | | | | | | | | | | | | | |
| ACTIVE | 12603601 | 34576-2003 | F | 9 | H | ST GRY | 56 | 55 | 54 | 53 | 52 | 51 | 50 | 49 | 48 | 47 | 46 | 45 | 44 | 43 | | | | | | |
| ACTIVE | TBD | 34576-2103 | F | 9 | J | BLACK | 42 | 41 | 40 | 39 | 38 | 37 | 36 | 35 | 34 | 33 | 32 | 31 | 30 | 29 | | | | | | |
| ACTIVE | TBD | 34576-2203 | F | 9 | K | BROWN | 28 | 27 | 26 | 25 | 24 | 23 | 22 | 21 | 20 | 19 | 18 | 17 | 16 | 15 | | | | | | |
| ACTIVE | TBD | 34576-2303 | F | 9 | L | GREEN | 14 | 13 | 12 | 11 | 10 | 9 | 8 | 7 | 6 | 5 | 4 | 3 | 2 | 1 | | | | | | |
| ACTIVE | TBD | 34576-2403 | F | 9 | M | NATURAL | | | | | | | | | | | | | | | | | | | | |
| AVAILABLE | NOT APPLICABLE | 34576-2503 | F | 0 | G | BLUE | 56 | 55 | 54 | 53 | | | | 49 | 48 | 47 | | | 44 | | | | | | | |
| | | | | | | | | | 40 | | | | 37 | 36 | 35 | 34 | 33 | | | | | | | | | |
| | | | | | | | | | | | | | | | | 20 | 19 | 18 | | | | | | | | |
| | | | | | | | 13 | 12 | | | | 9 | | 7 | 6 | | | | | 2 | | | | | | |
| AVAILABLE | NOT APPLICABLE | 34576-2603 | F | 0 | G | BLUE | 56 | 55 | 54 | 53 | | | | 49 | 48 | 47 | | | 44 | | | | | | | |
| | | | | | | | | | 40 | | | | 37 | 36 | 35 | 34 | 33 | | | | | | | | | |
| | | | | | | | | | | | | | | | | 20 | 19 | 18 | | | | | | | | |
| | | | | | | | 13 | 12 | | | | 9 | | 7 | 6 | | | | | | | | | | | |
| AVAILABLE | NOT APPLICABLE | 34576-2703 | F | 0 | G | BLUE | | | | | | | | | | | | | | | | | | | | |

SEE NEXT PAGE FOR ADDITIONAL NUMBERS

| ENTER DESCRIPTION EC NO: UAU2010-1803 DRAWN BY: 2010/06/02 CHKD: TSK IVER APPR: VKOSHY 2010/06/04 REV: F15 | QUALITY SYMBOLS ▽=0 ▽=0 | GENERAL TOLERANCES (UNLESS SPECIFIED) <table border="1"> <tr> <th></th> <th>mm</th> <th>INCH</th> </tr> <tr> <td>4 PLACES</td> <td>±---</td> <td>±---</td> </tr> <tr> <td>3 PLACES</td> <td>±---</td> <td>±---</td> </tr> <tr> <td>2 PLACES</td> <td>±---</td> <td>±---</td> </tr> <tr> <td>1 PLACE</td> <td>±---</td> <td>±---</td> </tr> </table> ANGULAR ±---° | | mm | INCH | 4 PLACES | ±--- | ±--- | 3 PLACES | ±--- | ±--- | 2 PLACES | ±--- | ±--- | 1 PLACE | ±--- | ±--- | DIMENSION STYLE MM ONLY | SCALE DESIGN UNITS METRIC | THIRD ANGLE PROJECTION |
|---|--|--|----------------------------|---------------------------|-------------------|----------|------|------|----------|------|------|----------|------|------|---------|------|------|-----------------------------------|--|------------------------|
| | | mm | INCH | | | | | | | | | | | | | | | | | |
| | 4 PLACES | ±--- | ±--- | | | | | | | | | | | | | | | | | |
| | 3 PLACES | ±--- | ±--- | | | | | | | | | | | | | | | | | |
| 2 PLACES | ±--- | ±--- | | | | | | | | | | | | | | | | | | |
| 1 PLACE | ±--- | ±--- | | | | | | | | | | | | | | | | | | |
| DRAWN BY: SRAJENDRANAT DATE: 2008/02/20 CHECKED BY: TSK IVER DATE: 2008/02/20 APPROVED BY: VKOSHY DATE: 2008/02/20 | DRAFT WHERE APPLICABLE MUST REMAIN WITHIN DIMENSIONS | | MATERIAL NO. SEE BOM TABLE | DOCUMENT NO. SD-34576-001 | SHEET NO. 5 OF 11 | | | | | | | | | | | | | | | |
| MOLEX INCORPORATED MX123 49/56 CKT HRNS CONN ASSY | | | | | | | | | | | | | | | | | | | | |
| THIS DRAWING CONTAINS INFORMATION THAT IS PROPRIETARY TO MOLEX INCORPORATED AND SHOULD NOT BE USED WITHOUT WRITTEN PERMISSION | | | | | | | | | | | | | | | | | | | | |

20 19 18 17 16 15 14 13 12 11 10 9 8 7 6 5 4 3 2 1

| STATUS | GM PART # | MATERIAL # | PART/MATERIAL REVISION | WIRE DRESS OPTION | KEY OPTION | COLOR (TPA) | NUMBERS INDICATE CAVITIES OPEN FOR CIRCUITS | | | | | | | | | | | | | | | | | | | | | | | | | | | | | | | | | | | | | | | | | | | | |
|-----------|----------------|------------|------------------------|-------------------|------------|-------------|---|----|----|----|----|----|----|----|----|----|----|----|----|----|----|----|----|----|----|----|----|----|--|----|----|----|----|----|----|----|----|----|----|----|----|----|---|---|---|---|---|--|--|--|--|
| AVAILABLE | NOT APPLICABLE | 34576-2803 | F | 0 | G | BLUE | <table border="1"> <tr><td>55</td><td>54</td><td>53</td><td>51</td><td>49</td><td>48</td><td>47</td><td>44</td></tr> <tr><td>40</td><td></td><td></td><td>37</td><td>36</td><td>35</td><td>34</td><td>33</td></tr> <tr><td>26</td><td></td><td></td><td></td><td></td><td></td><td>20</td><td>19</td></tr> <tr><td>13</td><td>12</td><td></td><td>9</td><td>7</td><td></td><td></td><td></td></tr> </table> | 55 | 54 | 53 | 51 | 49 | 48 | 47 | 44 | 40 | | | 37 | 36 | 35 | 34 | 33 | 26 | | | | | | 20 | 19 | 13 | 12 | | 9 | 7 | | | | | | | | | | | | | | | |
| 55 | 54 | 53 | 51 | 49 | 48 | 47 | 44 | | | | | | | | | | | | | | | | | | | | | | | | | | | | | | | | | | | | | | | | | | | | |
| 40 | | | 37 | 36 | 35 | 34 | 33 | | | | | | | | | | | | | | | | | | | | | | | | | | | | | | | | | | | | | | | | | | | | |
| 26 | | | | | | 20 | 19 | | | | | | | | | | | | | | | | | | | | | | | | | | | | | | | | | | | | | | | | | | | | |
| 13 | 12 | | 9 | 7 | | | | | | | | | | | | | | | | | | | | | | | | | | | | | | | | | | | | | | | | | | | | | | | |
| AVAILABLE | NOT APPLICABLE | 34576-2903 | F | 0 | G | BLUE | <table border="1"> <tr><td>56</td><td>55</td><td>53</td><td></td><td>49</td><td>48</td><td>47</td><td>46</td><td>45</td><td>44</td></tr> <tr><td></td><td>40</td><td>39</td><td>37</td><td>36</td><td>35</td><td>34</td><td>33</td><td></td><td>30</td></tr> <tr><td></td><td></td><td>25</td><td></td><td></td><td></td><td>20</td><td>19</td><td>18</td><td></td></tr> <tr><td>13</td><td>12</td><td></td><td>9</td><td>7</td><td></td><td></td><td></td><td></td><td></td></tr> </table> | 56 | 55 | 53 | | 49 | 48 | 47 | 46 | 45 | 44 | | 40 | 39 | 37 | 36 | 35 | 34 | 33 | | 30 | | | 25 | | | | 20 | 19 | 18 | | 13 | 12 | | 9 | 7 | | | | | | | | | |
| 56 | 55 | 53 | | 49 | 48 | 47 | 46 | 45 | 44 | | | | | | | | | | | | | | | | | | | | | | | | | | | | | | | | | | | | | | | | | | |
| | 40 | 39 | 37 | 36 | 35 | 34 | 33 | | 30 | | | | | | | | | | | | | | | | | | | | | | | | | | | | | | | | | | | | | | | | | | |
| | | 25 | | | | 20 | 19 | 18 | | | | | | | | | | | | | | | | | | | | | | | | | | | | | | | | | | | | | | | | | | | |
| 13 | 12 | | 9 | 7 | | | | | | | | | | | | | | | | | | | | | | | | | | | | | | | | | | | | | | | | | | | | | | | |
| AVAILABLE | NOT APPLICABLE | 34576-3003 | F | 0 | G | BLUE | <table border="1"> <tr><td>56</td><td>55</td><td>54</td><td>53</td><td></td><td>49</td><td>48</td><td>47</td><td>44</td><td></td></tr> <tr><td></td><td>40</td><td></td><td></td><td>37</td><td>36</td><td>35</td><td>34</td><td>33</td><td>29</td></tr> <tr><td></td><td></td><td></td><td></td><td></td><td></td><td></td><td>20</td><td>19</td><td>18</td></tr> <tr><td>13</td><td>12</td><td></td><td>9</td><td>7</td><td>6</td><td></td><td></td><td></td><td>2</td></tr> </table> | 56 | 55 | 54 | 53 | | 49 | 48 | 47 | 44 | | | 40 | | | 37 | 36 | 35 | 34 | 33 | 29 | | | | | | | | 20 | 19 | 18 | 13 | 12 | | 9 | 7 | 6 | | | | 2 | | | | |
| 56 | 55 | 54 | 53 | | 49 | 48 | 47 | 44 | | | | | | | | | | | | | | | | | | | | | | | | | | | | | | | | | | | | | | | | | | | |
| | 40 | | | 37 | 36 | 35 | 34 | 33 | 29 | | | | | | | | | | | | | | | | | | | | | | | | | | | | | | | | | | | | | | | | | | |
| | | | | | | | 20 | 19 | 18 | | | | | | | | | | | | | | | | | | | | | | | | | | | | | | | | | | | | | | | | | | |
| 13 | 12 | | 9 | 7 | 6 | | | | 2 | | | | | | | | | | | | | | | | | | | | | | | | | | | | | | | | | | | | | | | | | | |
| AVAILABLE | NOT APPLICABLE | 34576-3103 | F | 0 | G | BLUE | <table border="1"> <tr><td>56</td><td>55</td><td>54</td><td>53</td><td></td><td>49</td><td>48</td><td>47</td><td>46</td><td>45</td><td>44</td></tr> <tr><td></td><td>40</td><td>39</td><td>37</td><td>36</td><td>35</td><td>34</td><td>33</td><td></td><td></td><td></td></tr> <tr><td></td><td></td><td></td><td></td><td></td><td></td><td></td><td>20</td><td>19</td><td>18</td><td></td></tr> <tr><td>13</td><td>12</td><td></td><td>9</td><td>7</td><td></td><td></td><td></td><td></td><td></td><td></td></tr> </table> | 56 | 55 | 54 | 53 | | 49 | 48 | 47 | 46 | 45 | 44 | | 40 | 39 | 37 | 36 | 35 | 34 | 33 | | | | | | | | | | | 20 | 19 | 18 | | 13 | 12 | | 9 | 7 | | | | | | |
| 56 | 55 | 54 | 53 | | 49 | 48 | 47 | 46 | 45 | 44 | | | | | | | | | | | | | | | | | | | | | | | | | | | | | | | | | | | | | | | | | |
| | 40 | 39 | 37 | 36 | 35 | 34 | 33 | | | | | | | | | | | | | | | | | | | | | | | | | | | | | | | | | | | | | | | | | | | | |
| | | | | | | | 20 | 19 | 18 | | | | | | | | | | | | | | | | | | | | | | | | | | | | | | | | | | | | | | | | | | |
| 13 | 12 | | 9 | 7 | | | | | | | | | | | | | | | | | | | | | | | | | | | | | | | | | | | | | | | | | | | | | | | |
| AVAILABLE | NOT APPLICABLE | 34576-3203 | F | 0 | G | BLUE | <table border="1"> <tr><td>55</td><td>54</td><td>53</td><td></td><td>49</td><td>48</td><td>47</td><td>46</td><td>44</td><td></td></tr> <tr><td></td><td>40</td><td></td><td></td><td>37</td><td>36</td><td>35</td><td>34</td><td>33</td><td>32</td><td>31</td></tr> <tr><td></td><td>26</td><td></td><td></td><td></td><td></td><td></td><td>20</td><td>19</td><td>18</td><td></td></tr> <tr><td>13</td><td>12</td><td></td><td>9</td><td>7</td><td></td><td></td><td></td><td></td><td></td><td></td></tr> </table> | 55 | 54 | 53 | | 49 | 48 | 47 | 46 | 44 | | | 40 | | | 37 | 36 | 35 | 34 | 33 | 32 | 31 | | 26 | | | | | | 20 | 19 | 18 | | 13 | 12 | | 9 | 7 | | | | | | | |
| 55 | 54 | 53 | | 49 | 48 | 47 | 46 | 44 | | | | | | | | | | | | | | | | | | | | | | | | | | | | | | | | | | | | | | | | | | | |
| | 40 | | | 37 | 36 | 35 | 34 | 33 | 32 | 31 | | | | | | | | | | | | | | | | | | | | | | | | | | | | | | | | | | | | | | | | | |
| | 26 | | | | | | 20 | 19 | 18 | | | | | | | | | | | | | | | | | | | | | | | | | | | | | | | | | | | | | | | | | | |
| 13 | 12 | | 9 | 7 | | | | | | | | | | | | | | | | | | | | | | | | | | | | | | | | | | | | | | | | | | | | | | | |
| AVAILABLE | NOT APPLICABLE | 34576-3303 | F | 0 | G | BLUE | <table border="1"> <tr><td>56</td><td>55</td><td>54</td><td></td><td></td><td>49</td><td>48</td><td>47</td><td></td><td>44</td></tr> <tr><td></td><td>40</td><td></td><td></td><td>37</td><td>36</td><td>35</td><td>34</td><td>33</td><td></td></tr> <tr><td></td><td></td><td></td><td></td><td></td><td></td><td></td><td>20</td><td>19</td><td>18</td></tr> <tr><td>13</td><td>12</td><td></td><td>9</td><td>7</td><td>6</td><td></td><td></td><td></td><td></td></tr> </table> | 56 | 55 | 54 | | | 49 | 48 | 47 | | 44 | | 40 | | | 37 | 36 | 35 | 34 | 33 | | | | | | | | | 20 | 19 | 18 | 13 | 12 | | 9 | 7 | 6 | | | | | | | | |
| 56 | 55 | 54 | | | 49 | 48 | 47 | | 44 | | | | | | | | | | | | | | | | | | | | | | | | | | | | | | | | | | | | | | | | | | |
| | 40 | | | 37 | 36 | 35 | 34 | 33 | | | | | | | | | | | | | | | | | | | | | | | | | | | | | | | | | | | | | | | | | | | |
| | | | | | | | 20 | 19 | 18 | | | | | | | | | | | | | | | | | | | | | | | | | | | | | | | | | | | | | | | | | | |
| 13 | 12 | | 9 | 7 | 6 | | | | | | | | | | | | | | | | | | | | | | | | | | | | | | | | | | | | | | | | | | | | | | |
| AVAILABLE | NOT APPLICABLE | 34576-3403 | F | 0 | G | BLUE | <table border="1"> <tr><td>55</td><td>54</td><td>53</td><td></td><td>49</td><td>48</td><td>47</td><td>44</td><td></td></tr> <tr><td></td><td>40</td><td>39</td><td>37</td><td>36</td><td>35</td><td>34</td><td>33</td><td></td></tr> <tr><td></td><td>26</td><td></td><td></td><td></td><td></td><td></td><td>20</td><td>19</td><td>18</td></tr> <tr><td>13</td><td>12</td><td></td><td>9</td><td>7</td><td></td><td></td><td></td><td></td><td></td></tr> </table> | 55 | 54 | 53 | | 49 | 48 | 47 | 44 | | | 40 | 39 | 37 | 36 | 35 | 34 | 33 | | | 26 | | | | | | 20 | 19 | 18 | 13 | 12 | | 9 | 7 | | | | | | | | | | | |
| 55 | 54 | 53 | | 49 | 48 | 47 | 44 | | | | | | | | | | | | | | | | | | | | | | | | | | | | | | | | | | | | | | | | | | | | |
| | 40 | 39 | 37 | 36 | 35 | 34 | 33 | | | | | | | | | | | | | | | | | | | | | | | | | | | | | | | | | | | | | | | | | | | | |
| | 26 | | | | | | 20 | 19 | 18 | | | | | | | | | | | | | | | | | | | | | | | | | | | | | | | | | | | | | | | | | | |
| 13 | 12 | | 9 | 7 | | | | | | | | | | | | | | | | | | | | | | | | | | | | | | | | | | | | | | | | | | | | | | | |
| AVAILABLE | NOT APPLICABLE | 34576-3503 | F | 0 | G | BLUE | <table border="1"> <tr><td>56</td><td>55</td><td>53</td><td></td><td>49</td><td>48</td><td>47</td><td>44</td><td></td></tr> <tr><td></td><td>40</td><td></td><td></td><td>37</td><td>36</td><td>35</td><td>34</td><td>33</td><td></td></tr> <tr><td></td><td></td><td></td><td></td><td></td><td></td><td></td><td>20</td><td>19</td><td>18</td></tr> <tr><td>13</td><td>12</td><td></td><td>9</td><td>7</td><td>6</td><td></td><td></td><td></td><td>2</td></tr> </table> | 56 | 55 | 53 | | 49 | 48 | 47 | 44 | | | 40 | | | 37 | 36 | 35 | 34 | 33 | | | | | | | | | 20 | 19 | 18 | 13 | 12 | | 9 | 7 | 6 | | | | 2 | | | | | |
| 56 | 55 | 53 | | 49 | 48 | 47 | 44 | | | | | | | | | | | | | | | | | | | | | | | | | | | | | | | | | | | | | | | | | | | | |
| | 40 | | | 37 | 36 | 35 | 34 | 33 | | | | | | | | | | | | | | | | | | | | | | | | | | | | | | | | | | | | | | | | | | | |
| | | | | | | | 20 | 19 | 18 | | | | | | | | | | | | | | | | | | | | | | | | | | | | | | | | | | | | | | | | | | |
| 13 | 12 | | 9 | 7 | 6 | | | | 2 | | | | | | | | | | | | | | | | | | | | | | | | | | | | | | | | | | | | | | | | | | |

SEE NEXT PAGE FOR ADDITIONAL NUMBERS

| ENTER DESCRIPTION EC NO: UAU2010-1803 DRAWN BY: DRWNAH001 CHKD: TSK IVER APPR: VKOSHY DATE: 2010/06/02 DATE: 2008/02/20 DATE: 2010/06/04 | QUALITY SYMBOLS = 0 = 0 | GENERAL TOLERANCES (UNLESS SPECIFIED) <table border="1"> <tr><th></th><th>mm</th><th>INCH</th></tr> <tr><td>4 PLACES</td><td>±----</td><td>±----</td></tr> <tr><td>3 PLACES</td><td>±----</td><td>±----</td></tr> <tr><td>2 PLACES</td><td>±----</td><td>±----</td></tr> <tr><td>1 PLACE</td><td>±----</td><td>±----</td></tr> </table> | | mm | INCH | 4 PLACES | ±---- | ±---- | 3 PLACES | ±---- | ±---- | 2 PLACES | ±---- | ±---- | 1 PLACE | ±---- | ±---- | DIMENSION STYLE MM ONLY | SCALE SCALE | DESIGN UNITS METRIC | THIRD ANGLE PROJECTION |
|--|---|---|---|---|--|---------------------------|-------|-------|----------|-------|-------|----------|-------|-------|---------|-------|-------|--|-----------------------|--------------------------------------|-----------------------------------|
| | | mm | INCH | | | | | | | | | | | | | | | | | | |
| | 4 PLACES | ±---- | ±---- | | | | | | | | | | | | | | | | | | |
| | 3 PLACES | ±---- | ±---- | | | | | | | | | | | | | | | | | | |
| 2 PLACES | ±---- | ±---- | | | | | | | | | | | | | | | | | | | |
| 1 PLACE | ±---- | ±---- | | | | | | | | | | | | | | | | | | | |
| REVISIONS 15 | DRAFT WHERE APPLICABLE MUST REMAIN WITHIN DIMENSIONS | APPROVED BY VKOSHY DATE: 2008/02/20 | DRAWN BY SRAJENDRANAT DATE: 2008/02/20 | CHECKED BY TSK IVER DATE: 2008/02/20 | TITLE MX123 49/56 CKT HRNS CONN ASSY | MOLEX INCORPORATED | | | | | | | | | | | | | | | |
| | | MATERIAL NO. SD-34576-001 | SEE BOM TABLE | DOCUMENT NO. SD-34576-001 | SHEET NO. 6 OF 11 | | | | | | | | | | | | | | | | |
| | | THIS DRAWING CONTAINS INFORMATION THAT IS PROPRIETARY TO MOLEX INCORPORATED AND SHOULD NOT BE USED WITHOUT WRITTEN PERMISSION | | | | | | | | | | | | | | | | | | | |

19 18 17 16 15 14 13 12 11 10 9 8 7 6 5 4 3 2 1

20 19 18 17 16 15 14 13 12 11 10 9 8 7 6 5 4 3 2 1

| STATUS | GM PART # | MATERIAL # | PART/MATERIAL REVISION | WIRE DRESS OPTION | KEY OPTION | COLOR (TPA) | NUMBERS INDICATE CAVITIES OPEN FOR CIRCUITS | | | | | | | | | | | | | | | | | | | | | | | | | | | | | | | | | | | | | | | | | | | | | | | | | | | | | | | | | | | | |
|-----------|----------------|------------|------------------------|-------------------|------------|-------------|---|----|----|----|----|----|----|----|----|----|----|----|----|----|----|----|----|----|----|----|----|----|----|----|----|----|----|----|----|----|----|----|----|--|---|---|---|--|--|---|----|--|--|--|--|--|--|--|--|--|----|--|--|--|--|--|--|--|--|--|---|
| AVAILABLE | NOT APPLICABLE | 34576-3603 | F | 0 | G | BLUE | <table border="1"> <tr><td>55</td><td>54</td><td>53</td><td></td><td></td><td>49</td><td>48</td><td>47</td><td></td><td>44</td></tr> <tr><td>40</td><td></td><td></td><td>37</td><td>36</td><td>35</td><td>34</td><td>33</td><td></td><td></td></tr> <tr><td>26</td><td></td><td></td><td></td><td></td><td></td><td>20</td><td>19</td><td>18</td><td></td></tr> <tr><td>13</td><td>12</td><td></td><td>9</td><td>7</td><td></td><td></td><td></td><td></td><td></td></tr> </table> | 55 | 54 | 53 | | | 49 | 48 | 47 | | 44 | 40 | | | 37 | 36 | 35 | 34 | 33 | | | 26 | | | | | | 20 | 19 | 18 | | 13 | 12 | | 9 | 7 | | | | | | | | | | | | | | | | | | | | | | | | | |
| 55 | 54 | 53 | | | 49 | 48 | 47 | | 44 | | | | | | | | | | | | | | | | | | | | | | | | | | | | | | | | | | | | | | | | | | | | | | | | | | | | | | | | | | |
| 40 | | | 37 | 36 | 35 | 34 | 33 | | | | | | | | | | | | | | | | | | | | | | | | | | | | | | | | | | | | | | | | | | | | | | | | | | | | | | | | | | | | |
| 26 | | | | | | 20 | 19 | 18 | | | | | | | | | | | | | | | | | | | | | | | | | | | | | | | | | | | | | | | | | | | | | | | | | | | | | | | | | | | |
| 13 | 12 | | 9 | 7 | | | | | | | | | | | | | | | | | | | | | | | | | | | | | | | | | | | | | | | | | | | | | | | | | | | | | | | | | | | | | | | |
| AVAILABLE | NOT APPLICABLE | 34576-3703 | F | 0 | G | BLUE | <table border="1"> <tr><td>56</td><td>55</td><td>54</td><td>53</td><td>51</td><td>49</td><td>48</td><td>47</td><td></td><td>44</td></tr> <tr><td></td><td>40</td><td></td><td></td><td>37</td><td>36</td><td>35</td><td>34</td><td>33</td><td>29</td></tr> <tr><td></td><td></td><td></td><td></td><td></td><td></td><td></td><td>20</td><td>19</td><td>18</td></tr> <tr><td>13</td><td>12</td><td></td><td>9</td><td>7</td><td>6</td><td></td><td></td><td></td><td>2</td></tr> </table> | 56 | 55 | 54 | 53 | 51 | 49 | 48 | 47 | | 44 | | 40 | | | 37 | 36 | 35 | 34 | 33 | 29 | | | | | | | | 20 | 19 | 18 | 13 | 12 | | 9 | 7 | 6 | | | | 2 | | | | | | | | | | | | | | | | | | | | |
| 56 | 55 | 54 | 53 | 51 | 49 | 48 | 47 | | 44 | | | | | | | | | | | | | | | | | | | | | | | | | | | | | | | | | | | | | | | | | | | | | | | | | | | | | | | | | | |
| | 40 | | | 37 | 36 | 35 | 34 | 33 | 29 | | | | | | | | | | | | | | | | | | | | | | | | | | | | | | | | | | | | | | | | | | | | | | | | | | | | | | | | | | |
| | | | | | | | 20 | 19 | 18 | | | | | | | | | | | | | | | | | | | | | | | | | | | | | | | | | | | | | | | | | | | | | | | | | | | | | | | | | | |
| 13 | 12 | | 9 | 7 | 6 | | | | 2 | | | | | | | | | | | | | | | | | | | | | | | | | | | | | | | | | | | | | | | | | | | | | | | | | | | | | | | | | | |
| AVAILABLE | NOT APPLICABLE | 34576-3803 | F | 0 | G | BLUE | <table border="1"> <tr><td>56</td><td>54</td><td>53</td><td></td><td></td><td>49</td><td>47</td><td>46</td><td>44</td><td></td></tr> <tr><td></td><td>40</td><td>39</td><td></td><td>37</td><td>36</td><td>35</td><td>33</td><td>32</td><td>31</td></tr> <tr><td></td><td></td><td>25</td><td></td><td></td><td></td><td></td><td>20</td><td>19</td><td>18</td></tr> <tr><td>13</td><td>12</td><td></td><td>9</td><td>7</td><td></td><td></td><td></td><td></td><td>2</td></tr> </table> | 56 | 54 | 53 | | | 49 | 47 | 46 | 44 | | | 40 | 39 | | 37 | 36 | 35 | 33 | 32 | 31 | | | 25 | | | | | 20 | 19 | 18 | 13 | 12 | | 9 | 7 | | | | | 2 | | | | | | | | | | | | | | | | | | | | |
| 56 | 54 | 53 | | | 49 | 47 | 46 | 44 | | | | | | | | | | | | | | | | | | | | | | | | | | | | | | | | | | | | | | | | | | | | | | | | | | | | | | | | | | | |
| | 40 | 39 | | 37 | 36 | 35 | 33 | 32 | 31 | | | | | | | | | | | | | | | | | | | | | | | | | | | | | | | | | | | | | | | | | | | | | | | | | | | | | | | | | | |
| | | 25 | | | | | 20 | 19 | 18 | | | | | | | | | | | | | | | | | | | | | | | | | | | | | | | | | | | | | | | | | | | | | | | | | | | | | | | | | | |
| 13 | 12 | | 9 | 7 | | | | | 2 | | | | | | | | | | | | | | | | | | | | | | | | | | | | | | | | | | | | | | | | | | | | | | | | | | | | | | | | | | |
| AVAILABLE | NOT APPLICABLE | 34576-3903 | F | 0 | G | BLUE | <table border="1"> <tr><td>56</td><td>54</td><td>53</td><td></td><td></td><td>49</td><td>47</td><td></td><td>44</td><td></td></tr> <tr><td></td><td>40</td><td>39</td><td></td><td>37</td><td>36</td><td>35</td><td>33</td><td></td><td>29</td></tr> <tr><td></td><td></td><td>25</td><td></td><td></td><td></td><td></td><td>20</td><td>19</td><td>18</td></tr> <tr><td>13</td><td>12</td><td></td><td>9</td><td>7</td><td></td><td></td><td></td><td></td><td>15</td></tr> </table> | 56 | 54 | 53 | | | 49 | 47 | | 44 | | | 40 | 39 | | 37 | 36 | 35 | 33 | | 29 | | | 25 | | | | | 20 | 19 | 18 | 13 | 12 | | 9 | 7 | | | | | 15 | | | | | | | | | | | | | | | | | | | | |
| 56 | 54 | 53 | | | 49 | 47 | | 44 | | | | | | | | | | | | | | | | | | | | | | | | | | | | | | | | | | | | | | | | | | | | | | | | | | | | | | | | | | | |
| | 40 | 39 | | 37 | 36 | 35 | 33 | | 29 | | | | | | | | | | | | | | | | | | | | | | | | | | | | | | | | | | | | | | | | | | | | | | | | | | | | | | | | | | |
| | | 25 | | | | | 20 | 19 | 18 | | | | | | | | | | | | | | | | | | | | | | | | | | | | | | | | | | | | | | | | | | | | | | | | | | | | | | | | | | |
| 13 | 12 | | 9 | 7 | | | | | 15 | | | | | | | | | | | | | | | | | | | | | | | | | | | | | | | | | | | | | | | | | | | | | | | | | | | | | | | | | | |
| AVAILABLE | NOT APPLICABLE | 34576-4003 | F | 0 | G | BLUE | <table border="1"> <tr><td>56</td><td>55</td><td>54</td><td>53</td><td></td><td>49</td><td>48</td><td>47</td><td>45</td><td>44</td></tr> <tr><td></td><td>40</td><td>39</td><td></td><td>37</td><td>36</td><td>35</td><td>34</td><td>33</td><td>29</td></tr> <tr><td></td><td></td><td>25</td><td></td><td></td><td></td><td></td><td>20</td><td>19</td><td>18</td></tr> <tr><td>13</td><td>12</td><td></td><td>9</td><td>7</td><td>6</td><td></td><td></td><td></td><td>16</td></tr> <tr><td></td><td></td><td></td><td></td><td></td><td></td><td></td><td></td><td></td><td>15</td></tr> <tr><td></td><td></td><td></td><td></td><td></td><td></td><td></td><td></td><td></td><td>1</td></tr> </table> | 56 | 55 | 54 | 53 | | 49 | 48 | 47 | 45 | 44 | | 40 | 39 | | 37 | 36 | 35 | 34 | 33 | 29 | | | 25 | | | | | 20 | 19 | 18 | 13 | 12 | | 9 | 7 | 6 | | | | 16 | | | | | | | | | | 15 | | | | | | | | | | 1 |
| 56 | 55 | 54 | 53 | | 49 | 48 | 47 | 45 | 44 | | | | | | | | | | | | | | | | | | | | | | | | | | | | | | | | | | | | | | | | | | | | | | | | | | | | | | | | | | |
| | 40 | 39 | | 37 | 36 | 35 | 34 | 33 | 29 | | | | | | | | | | | | | | | | | | | | | | | | | | | | | | | | | | | | | | | | | | | | | | | | | | | | | | | | | | |
| | | 25 | | | | | 20 | 19 | 18 | | | | | | | | | | | | | | | | | | | | | | | | | | | | | | | | | | | | | | | | | | | | | | | | | | | | | | | | | | |
| 13 | 12 | | 9 | 7 | 6 | | | | 16 | | | | | | | | | | | | | | | | | | | | | | | | | | | | | | | | | | | | | | | | | | | | | | | | | | | | | | | | | | |
| | | | | | | | | | 15 | | | | | | | | | | | | | | | | | | | | | | | | | | | | | | | | | | | | | | | | | | | | | | | | | | | | | | | | | | |
| | | | | | | | | | 1 | | | | | | | | | | | | | | | | | | | | | | | | | | | | | | | | | | | | | | | | | | | | | | | | | | | | | | | | | | |
| AVAILABLE | NOT APPLICABLE | 34576-4103 | F | 0 | G | BLUE | <table border="1"> <tr><td>56</td><td>55</td><td>54</td><td>53</td><td></td><td>49</td><td>48</td><td>47</td><td>46</td><td>44</td></tr> <tr><td></td><td>40</td><td>39</td><td>38</td><td>37</td><td>36</td><td>35</td><td>34</td><td>33</td><td>31</td></tr> <tr><td></td><td></td><td>25</td><td></td><td></td><td></td><td></td><td>20</td><td>19</td><td>18</td></tr> <tr><td>13</td><td>12</td><td></td><td>9</td><td>7</td><td></td><td></td><td></td><td></td><td>16</td></tr> </table> | 56 | 55 | 54 | 53 | | 49 | 48 | 47 | 46 | 44 | | 40 | 39 | 38 | 37 | 36 | 35 | 34 | 33 | 31 | | | 25 | | | | | 20 | 19 | 18 | 13 | 12 | | 9 | 7 | | | | | 16 | | | | | | | | | | | | | | | | | | | | |
| 56 | 55 | 54 | 53 | | 49 | 48 | 47 | 46 | 44 | | | | | | | | | | | | | | | | | | | | | | | | | | | | | | | | | | | | | | | | | | | | | | | | | | | | | | | | | | |
| | 40 | 39 | 38 | 37 | 36 | 35 | 34 | 33 | 31 | | | | | | | | | | | | | | | | | | | | | | | | | | | | | | | | | | | | | | | | | | | | | | | | | | | | | | | | | | |
| | | 25 | | | | | 20 | 19 | 18 | | | | | | | | | | | | | | | | | | | | | | | | | | | | | | | | | | | | | | | | | | | | | | | | | | | | | | | | | | |
| 13 | 12 | | 9 | 7 | | | | | 16 | | | | | | | | | | | | | | | | | | | | | | | | | | | | | | | | | | | | | | | | | | | | | | | | | | | | | | | | | | |
| AVAILABLE | NOT APPLICABLE | 34576-4203 | F | 0 | G | BLUE | <table border="1"> <tr><td>56</td><td>55</td><td>54</td><td>53</td><td></td><td>49</td><td>48</td><td>47</td><td>45</td><td>44</td></tr> <tr><td></td><td>40</td><td>39</td><td></td><td>37</td><td>36</td><td>35</td><td>34</td><td>33</td><td></td></tr> <tr><td></td><td></td><td></td><td></td><td></td><td></td><td></td><td>20</td><td>19</td><td>18</td></tr> <tr><td>13</td><td>12</td><td></td><td>9</td><td>7</td><td></td><td></td><td></td><td></td><td></td></tr> </table> | 56 | 55 | 54 | 53 | | 49 | 48 | 47 | 45 | 44 | | 40 | 39 | | 37 | 36 | 35 | 34 | 33 | | | | | | | | | 20 | 19 | 18 | 13 | 12 | | 9 | 7 | | | | | | | | | | | | | | | | | | | | | | | | | |
| 56 | 55 | 54 | 53 | | 49 | 48 | 47 | 45 | 44 | | | | | | | | | | | | | | | | | | | | | | | | | | | | | | | | | | | | | | | | | | | | | | | | | | | | | | | | | | |
| | 40 | 39 | | 37 | 36 | 35 | 34 | 33 | | | | | | | | | | | | | | | | | | | | | | | | | | | | | | | | | | | | | | | | | | | | | | | | | | | | | | | | | | | |
| | | | | | | | 20 | 19 | 18 | | | | | | | | | | | | | | | | | | | | | | | | | | | | | | | | | | | | | | | | | | | | | | | | | | | | | | | | | | |
| 13 | 12 | | 9 | 7 | | | | | | | | | | | | | | | | | | | | | | | | | | | | | | | | | | | | | | | | | | | | | | | | | | | | | | | | | | | | | | | |
| AVAILABLE | NOT APPLICABLE | 34576-4303 | F | 0 | G | BLUE | <table border="1"> <tr><td>56</td><td>55</td><td>54</td><td>53</td><td>51</td><td>49</td><td>48</td><td>47</td><td>45</td><td>44</td></tr> <tr><td>41</td><td>40</td><td>38</td><td>37</td><td>36</td><td>35</td><td>34</td><td>33</td><td></td><td>30</td></tr> <tr><td></td><td>26</td><td>25</td><td>24</td><td>22</td><td>21</td><td>20</td><td>19</td><td>17</td><td></td></tr> <tr><td>13</td><td>12</td><td></td><td>9</td><td>7</td><td></td><td></td><td></td><td>4</td><td>3</td></tr> <tr><td></td><td></td><td></td><td></td><td></td><td></td><td></td><td></td><td></td><td>1</td></tr> </table> | 56 | 55 | 54 | 53 | 51 | 49 | 48 | 47 | 45 | 44 | 41 | 40 | 38 | 37 | 36 | 35 | 34 | 33 | | 30 | | 26 | 25 | 24 | 22 | 21 | 20 | 19 | 17 | | 13 | 12 | | 9 | 7 | | | | 4 | 3 | | | | | | | | | | 1 | | | | | | | | | | |
| 56 | 55 | 54 | 53 | 51 | 49 | 48 | 47 | 45 | 44 | | | | | | | | | | | | | | | | | | | | | | | | | | | | | | | | | | | | | | | | | | | | | | | | | | | | | | | | | | |
| 41 | 40 | 38 | 37 | 36 | 35 | 34 | 33 | | 30 | | | | | | | | | | | | | | | | | | | | | | | | | | | | | | | | | | | | | | | | | | | | | | | | | | | | | | | | | | |
| | 26 | 25 | 24 | 22 | 21 | 20 | 19 | 17 | | | | | | | | | | | | | | | | | | | | | | | | | | | | | | | | | | | | | | | | | | | | | | | | | | | | | | | | | | | |
| 13 | 12 | | 9 | 7 | | | | 4 | 3 | | | | | | | | | | | | | | | | | | | | | | | | | | | | | | | | | | | | | | | | | | | | | | | | | | | | | | | | | | |
| | | | | | | | | | 1 | | | | | | | | | | | | | | | | | | | | | | | | | | | | | | | | | | | | | | | | | | | | | | | | | | | | | | | | | | |

SEE NEXT PAGE FOR ADDITIONAL NUMBERS

| ENTER DESCRIPTION EC NO: UAU2010-1803 DRAWN BY: SRAJENDRANAT CHKD: TSK IVER APPR: VKOSHY DATE: 2010/06/02 DATE: 2008/02/20 DATE: 2008/02/20 DATE: 2008/02/20 DATE: 2008/02/20 | QUALITY SYMBOLS ◀=0 ▽=0 | GENERAL TOLERANCES (UNLESS SPECIFIED) <table border="1"> <tr><th></th><th>mm</th><th>INCH</th></tr> <tr><td>4 PLACES</td><td>±----</td><td>±----</td></tr> <tr><td>3 PLACES</td><td>±----</td><td>±----</td></tr> <tr><td>2 PLACES</td><td>±----</td><td>±----</td></tr> <tr><td>1 PLACE</td><td>±----</td><td>±----</td></tr> </table> | | mm | INCH | 4 PLACES | ±---- | ±---- | 3 PLACES | ±---- | ±---- | 2 PLACES | ±---- | ±---- | 1 PLACE | ±---- | ±---- | DIMENSION STYLE MM ONLY | SCALE SCALE | DESIGN UNITS METRIC | THIRD ANGLE PROJECTION |
|---|---|---|--|---|--|---------------------------|-------|-------|----------|-------|-------|----------|-------|-------|---------|-------|-------|--|-----------------------|--------------------------------------|-----------------------------------|
| | | mm | INCH | | | | | | | | | | | | | | | | | | |
| | 4 PLACES | ±---- | ±---- | | | | | | | | | | | | | | | | | | |
| | 3 PLACES | ±---- | ±---- | | | | | | | | | | | | | | | | | | |
| 2 PLACES | ±---- | ±---- | | | | | | | | | | | | | | | | | | | |
| 1 PLACE | ±---- | ±---- | | | | | | | | | | | | | | | | | | | |
| REVISIONS 15 | DRAFT WHERE APPLICABLE MUST REMAIN WITHIN DIMENSIONS | APPROVED BY VKOSHY DATE: 2008/02/20 | DRAWN BY SRAJENDRANAT DATE: 2008/02/20 | CHECKED BY TSK IVER DATE: 2008/02/20 | TITLE MX123 49/56 CKT HRNS CONN ASSY | MOLEX INCORPORATED | | | | | | | | | | | | | | | |
| MATERIAL NO. SEE BOM TABLE | DOCUMENT NO. SD-34576-001 | SHEET NO. 7 OF 11 | THIS DRAWING CONTAINS INFORMATION THAT IS PROPRIETARY TO MOLEX INCORPORATED AND SHOULD NOT BE USED WITHOUT WRITTEN PERMISSION | | | | | | | | | | | | | | | | | | |
| SIZE D | | | | | | | | | | | | | | | | | | | | | |

19 18 17 16 15 14 13 12 11 10 9 8 7 6 5 4 3 2 1

20 19 18 17 16 15 14 13 12 11 10 9 8 7 6 5 4 3 2 1

| STATUS | GM PART # | MATERIAL # | PART/MATERIAL REVISION | WIRE DRESS OPTION | KEY OPTION | COLOR (TPA) | NUMBERS INDICATE CAVITIES OPEN FOR CIRCUITS | | | | | | | | | | | | | | | | | | | | | | | | | | | | | | | | | | | | | | | | | | | | | | | | |
|-----------|----------------|------------|------------------------|-------------------|------------|-------------|---|----|----|----|----|----|--|----|----|----|----|----|--|--|--|----|----|--|----|----|----|----|----|----|----|--|--|--|----|----|----|----|----|----|----|----|----|--|--|----|----|--|---|---|--|--|---|--|---|
| AVAILABLE | NOT APPLICABLE | 34576-4403 | F | 0 | G | BLUE | <table border="1"> <tr><td>56</td><td>55</td><td>54</td><td>53</td><td></td><td></td><td>49</td><td>48</td><td>47</td><td>46</td><td>44</td><td></td></tr> <tr><td></td><td></td><td>40</td><td>39</td><td></td><td>37</td><td>36</td><td>35</td><td>34</td><td>33</td><td>32</td><td>31</td></tr> <tr><td></td><td></td><td></td><td>25</td><td></td><td></td><td></td><td></td><td>20</td><td>19</td><td>18</td><td>16</td></tr> <tr><td></td><td></td><td></td><td>12</td><td></td><td>9</td><td>7</td><td></td><td></td><td></td><td></td><td></td></tr> </table> | 56 | 55 | 54 | 53 | | | 49 | 48 | 47 | 46 | 44 | | | | 40 | 39 | | 37 | 36 | 35 | 34 | 33 | 32 | 31 | | | | 25 | | | | | 20 | 19 | 18 | 16 | | | | 12 | | 9 | 7 | | | | | |
| 56 | 55 | 54 | 53 | | | 49 | 48 | 47 | 46 | 44 | | | | | | | | | | | | | | | | | | | | | | | | | | | | | | | | | | | | | | | | | | | | | |
| | | 40 | 39 | | 37 | 36 | 35 | 34 | 33 | 32 | 31 | | | | | | | | | | | | | | | | | | | | | | | | | | | | | | | | | | | | | | | | | | | | |
| | | | 25 | | | | | 20 | 19 | 18 | 16 | | | | | | | | | | | | | | | | | | | | | | | | | | | | | | | | | | | | | | | | | | | | |
| | | | 12 | | 9 | 7 | | | | | | | | | | | | | | | | | | | | | | | | | | | | | | | | | | | | | | | | | | | | | | | | | |
| AVAILABLE | NOT APPLICABLE | 34576-4503 | F | 0 | G | BLUE | <table border="1"> <tr><td>56</td><td>55</td><td>54</td><td>53</td><td></td><td></td><td>49</td><td>48</td><td>47</td><td>46</td><td>44</td><td></td></tr> <tr><td></td><td></td><td>40</td><td>39</td><td></td><td>37</td><td>36</td><td>35</td><td>34</td><td>33</td><td>32</td><td>31</td></tr> <tr><td></td><td></td><td></td><td>25</td><td>24</td><td></td><td>22</td><td>21</td><td>20</td><td>19</td><td>18</td><td>16</td></tr> <tr><td></td><td></td><td>13</td><td>12</td><td></td><td>9</td><td>7</td><td></td><td></td><td>4</td><td></td><td>2</td></tr> </table> | 56 | 55 | 54 | 53 | | | 49 | 48 | 47 | 46 | 44 | | | | 40 | 39 | | 37 | 36 | 35 | 34 | 33 | 32 | 31 | | | | 25 | 24 | | 22 | 21 | 20 | 19 | 18 | 16 | | | 13 | 12 | | 9 | 7 | | | 4 | | 2 |
| 56 | 55 | 54 | 53 | | | 49 | 48 | 47 | 46 | 44 | | | | | | | | | | | | | | | | | | | | | | | | | | | | | | | | | | | | | | | | | | | | | |
| | | 40 | 39 | | 37 | 36 | 35 | 34 | 33 | 32 | 31 | | | | | | | | | | | | | | | | | | | | | | | | | | | | | | | | | | | | | | | | | | | | |
| | | | 25 | 24 | | 22 | 21 | 20 | 19 | 18 | 16 | | | | | | | | | | | | | | | | | | | | | | | | | | | | | | | | | | | | | | | | | | | | |
| | | 13 | 12 | | 9 | 7 | | | 4 | | 2 | | | | | | | | | | | | | | | | | | | | | | | | | | | | | | | | | | | | | | | | | | | | |
| AVAILABLE | NOT APPLICABLE | 34576-4603 | F | 0 | G | BLUE | <table border="1"> <tr><td>56</td><td>55</td><td>54</td><td>53</td><td></td><td></td><td>49</td><td>48</td><td>47</td><td>46</td><td>44</td><td></td></tr> <tr><td></td><td></td><td>40</td><td>39</td><td></td><td>37</td><td>36</td><td>35</td><td>34</td><td>33</td><td>32</td><td>31</td></tr> <tr><td></td><td></td><td></td><td>25</td><td></td><td></td><td></td><td></td><td>20</td><td>19</td><td>18</td><td>16</td></tr> <tr><td></td><td></td><td>13</td><td>12</td><td></td><td>9</td><td>7</td><td></td><td></td><td></td><td></td><td></td></tr> </table> | 56 | 55 | 54 | 53 | | | 49 | 48 | 47 | 46 | 44 | | | | 40 | 39 | | 37 | 36 | 35 | 34 | 33 | 32 | 31 | | | | 25 | | | | | 20 | 19 | 18 | 16 | | | 13 | 12 | | 9 | 7 | | | | | |
| 56 | 55 | 54 | 53 | | | 49 | 48 | 47 | 46 | 44 | | | | | | | | | | | | | | | | | | | | | | | | | | | | | | | | | | | | | | | | | | | | | |
| | | 40 | 39 | | 37 | 36 | 35 | 34 | 33 | 32 | 31 | | | | | | | | | | | | | | | | | | | | | | | | | | | | | | | | | | | | | | | | | | | | |
| | | | 25 | | | | | 20 | 19 | 18 | 16 | | | | | | | | | | | | | | | | | | | | | | | | | | | | | | | | | | | | | | | | | | | | |
| | | 13 | 12 | | 9 | 7 | | | | | | | | | | | | | | | | | | | | | | | | | | | | | | | | | | | | | | | | | | | | | | | | | |
| AVAILABLE | NOT APPLICABLE | 34576-4703 | F | 0 | G | BLUE | <table border="1"> <tr><td>56</td><td>55</td><td>54</td><td>53</td><td>51</td><td></td><td>49</td><td>48</td><td>47</td><td></td><td>44</td><td></td></tr> <tr><td></td><td></td><td>40</td><td>39</td><td></td><td>37</td><td>36</td><td>35</td><td>34</td><td>33</td><td></td><td>30</td></tr> <tr><td></td><td></td><td></td><td>25</td><td></td><td>22</td><td>21</td><td>20</td><td>19</td><td>18</td><td></td><td>15</td></tr> <tr><td></td><td></td><td>13</td><td>12</td><td></td><td>9</td><td>7</td><td></td><td></td><td>4</td><td></td><td>2</td></tr> </table> | 56 | 55 | 54 | 53 | 51 | | 49 | 48 | 47 | | 44 | | | | 40 | 39 | | 37 | 36 | 35 | 34 | 33 | | 30 | | | | 25 | | 22 | 21 | 20 | 19 | 18 | | 15 | | | 13 | 12 | | 9 | 7 | | | 4 | | 2 |
| 56 | 55 | 54 | 53 | 51 | | 49 | 48 | 47 | | 44 | | | | | | | | | | | | | | | | | | | | | | | | | | | | | | | | | | | | | | | | | | | | | |
| | | 40 | 39 | | 37 | 36 | 35 | 34 | 33 | | 30 | | | | | | | | | | | | | | | | | | | | | | | | | | | | | | | | | | | | | | | | | | | | |
| | | | 25 | | 22 | 21 | 20 | 19 | 18 | | 15 | | | | | | | | | | | | | | | | | | | | | | | | | | | | | | | | | | | | | | | | | | | | |
| | | 13 | 12 | | 9 | 7 | | | 4 | | 2 | | | | | | | | | | | | | | | | | | | | | | | | | | | | | | | | | | | | | | | | | | | | |
| AVAILABLE | NOT APPLICABLE | 34576-4803 | F | 0 | G | BLUE | <table border="1"> <tr><td></td><td>55</td><td></td><td>53</td><td>51</td><td></td><td>49</td><td>48</td><td>47</td><td></td><td>44</td><td></td></tr> <tr><td></td><td></td><td>40</td><td>39</td><td></td><td>37</td><td>36</td><td>35</td><td>34</td><td>33</td><td></td><td>29</td></tr> <tr><td></td><td></td><td></td><td>26</td><td></td><td></td><td></td><td></td><td>20</td><td>19</td><td>18</td><td>15</td></tr> <tr><td></td><td></td><td>13</td><td>12</td><td></td><td>9</td><td>7</td><td></td><td></td><td>4</td><td></td><td>2</td></tr> </table> | | 55 | | 53 | 51 | | 49 | 48 | 47 | | 44 | | | | 40 | 39 | | 37 | 36 | 35 | 34 | 33 | | 29 | | | | 26 | | | | | 20 | 19 | 18 | 15 | | | 13 | 12 | | 9 | 7 | | | 4 | | 2 |
| | 55 | | 53 | 51 | | 49 | 48 | 47 | | 44 | | | | | | | | | | | | | | | | | | | | | | | | | | | | | | | | | | | | | | | | | | | | | |
| | | 40 | 39 | | 37 | 36 | 35 | 34 | 33 | | 29 | | | | | | | | | | | | | | | | | | | | | | | | | | | | | | | | | | | | | | | | | | | | |
| | | | 26 | | | | | 20 | 19 | 18 | 15 | | | | | | | | | | | | | | | | | | | | | | | | | | | | | | | | | | | | | | | | | | | | |
| | | 13 | 12 | | 9 | 7 | | | 4 | | 2 | | | | | | | | | | | | | | | | | | | | | | | | | | | | | | | | | | | | | | | | | | | | |
| ACTIVE | NOT APPLICABLE | 34576-4903 | F | 9 | G | BLUE | <table border="1"> <tr><td></td><td>55</td><td>54</td><td>53</td><td></td><td></td><td>49</td><td>48</td><td>47</td><td>46</td><td>44</td><td></td></tr> <tr><td></td><td></td><td>40</td><td></td><td></td><td>37</td><td>36</td><td>35</td><td>34</td><td>33</td><td>32</td><td>31</td></tr> <tr><td></td><td></td><td></td><td>26</td><td></td><td></td><td></td><td></td><td>20</td><td>19</td><td>18</td><td></td></tr> <tr><td></td><td></td><td>13</td><td>12</td><td></td><td>9</td><td>7</td><td></td><td></td><td></td><td></td><td></td></tr> </table> | | 55 | 54 | 53 | | | 49 | 48 | 47 | 46 | 44 | | | | 40 | | | 37 | 36 | 35 | 34 | 33 | 32 | 31 | | | | 26 | | | | | 20 | 19 | 18 | | | | 13 | 12 | | 9 | 7 | | | | | |
| | 55 | 54 | 53 | | | 49 | 48 | 47 | 46 | 44 | | | | | | | | | | | | | | | | | | | | | | | | | | | | | | | | | | | | | | | | | | | | | |
| | | 40 | | | 37 | 36 | 35 | 34 | 33 | 32 | 31 | | | | | | | | | | | | | | | | | | | | | | | | | | | | | | | | | | | | | | | | | | | | |
| | | | 26 | | | | | 20 | 19 | 18 | | | | | | | | | | | | | | | | | | | | | | | | | | | | | | | | | | | | | | | | | | | | | |
| | | 13 | 12 | | 9 | 7 | | | | | | | | | | | | | | | | | | | | | | | | | | | | | | | | | | | | | | | | | | | | | | | | | |
| AVAILABLE | NOT APPLICABLE | 34576-5003 | F | 0 | G | BLUE | <table border="1"> <tr><td></td><td>55</td><td>54</td><td>53</td><td></td><td></td><td>49</td><td>48</td><td>47</td><td>45</td><td>44</td><td></td></tr> <tr><td></td><td></td><td>40</td><td></td><td></td><td>37</td><td>36</td><td>35</td><td>34</td><td>33</td><td></td><td></td></tr> <tr><td></td><td></td><td></td><td>26</td><td></td><td></td><td></td><td></td><td>20</td><td>19</td><td>18</td><td></td></tr> <tr><td></td><td></td><td>13</td><td>12</td><td></td><td>9</td><td>7</td><td></td><td></td><td></td><td></td><td></td></tr> </table> | | 55 | 54 | 53 | | | 49 | 48 | 47 | 45 | 44 | | | | 40 | | | 37 | 36 | 35 | 34 | 33 | | | | | | 26 | | | | | 20 | 19 | 18 | | | | 13 | 12 | | 9 | 7 | | | | | |
| | 55 | 54 | 53 | | | 49 | 48 | 47 | 45 | 44 | | | | | | | | | | | | | | | | | | | | | | | | | | | | | | | | | | | | | | | | | | | | | |
| | | 40 | | | 37 | 36 | 35 | 34 | 33 | | | | | | | | | | | | | | | | | | | | | | | | | | | | | | | | | | | | | | | | | | | | | | |
| | | | 26 | | | | | 20 | 19 | 18 | | | | | | | | | | | | | | | | | | | | | | | | | | | | | | | | | | | | | | | | | | | | | |
| | | 13 | 12 | | 9 | 7 | | | | | | | | | | | | | | | | | | | | | | | | | | | | | | | | | | | | | | | | | | | | | | | | | |
| AVAILABLE | NOT APPLICABLE | 34576-5103 | F | 0 | G | BLUE | <table border="1"> <tr><td></td><td>55</td><td></td><td>53</td><td>51</td><td></td><td>49</td><td>48</td><td>47</td><td></td><td>44</td><td></td></tr> <tr><td></td><td></td><td>40</td><td></td><td></td><td>37</td><td>36</td><td>35</td><td>34</td><td>33</td><td></td><td>29</td></tr> <tr><td></td><td></td><td></td><td></td><td>24</td><td></td><td></td><td></td><td>20</td><td>19</td><td>18</td><td>15</td></tr> <tr><td></td><td></td><td>13</td><td>12</td><td></td><td>9</td><td>7</td><td></td><td></td><td>4</td><td></td><td>2</td></tr> </table> | | 55 | | 53 | 51 | | 49 | 48 | 47 | | 44 | | | | 40 | | | 37 | 36 | 35 | 34 | 33 | | 29 | | | | | 24 | | | | 20 | 19 | 18 | 15 | | | 13 | 12 | | 9 | 7 | | | 4 | | 2 |
| | 55 | | 53 | 51 | | 49 | 48 | 47 | | 44 | | | | | | | | | | | | | | | | | | | | | | | | | | | | | | | | | | | | | | | | | | | | | |
| | | 40 | | | 37 | 36 | 35 | 34 | 33 | | 29 | | | | | | | | | | | | | | | | | | | | | | | | | | | | | | | | | | | | | | | | | | | | |
| | | | | 24 | | | | 20 | 19 | 18 | 15 | | | | | | | | | | | | | | | | | | | | | | | | | | | | | | | | | | | | | | | | | | | | |
| | | 13 | 12 | | 9 | 7 | | | 4 | | 2 | | | | | | | | | | | | | | | | | | | | | | | | | | | | | | | | | | | | | | | | | | | | |

| ENTER DESCRIPTION EC NO: UAU2010-1803 DRAWN: H001 CHKD: TSK IVER APPR: VKOSHY 2010/06/02 2008/02/20 2010/06/04 | QUALITY SYMBOLS ▽=0 ▽=0 | GENERAL TOLERANCES (UNLESS SPECIFIED) <table border="1"> <tr><th></th><th>mm</th><th>INCH</th></tr> <tr><td>4 PLACES</td><td>±---</td><td>±---</td></tr> <tr><td>3 PLACES</td><td>±---</td><td>±---</td></tr> <tr><td>2 PLACES</td><td>±---</td><td>±---</td></tr> <tr><td>1 PLACE</td><td>±---</td><td>±---</td></tr> </table> | | mm | INCH | 4 PLACES | ±--- | ±--- | 3 PLACES | ±--- | ±--- | 2 PLACES | ±--- | ±--- | 1 PLACE | ±--- | ±--- | DIMENSION STYLE MM ONLY | SCALE SCALE | DESIGN UNITS METRIC | THIRD ANGLE PROJECTION |
|--|--------------------------------------|---|---------------------------------|-------------------------------------|-----------------------------|--|------|------|----------|------|------|----------|------|------|---------|------|------|--|-----------------------|--------------------------------------|-----------------------------------|
| | | mm | INCH | | | | | | | | | | | | | | | | | | |
| | 4 PLACES | ±--- | ±--- | | | | | | | | | | | | | | | | | | |
| | 3 PLACES | ±--- | ±--- | | | | | | | | | | | | | | | | | | |
| 2 PLACES | ±--- | ±--- | | | | | | | | | | | | | | | | | | | |
| 1 PLACE | ±--- | ±--- | | | | | | | | | | | | | | | | | | | |
| DATE 2010/06/02 | DATE 2008/02/20 | DATE 2010/06/04 | DRAWN BY SRAJENDRANAT | DATE 2008/02/20 | DATE 2008/02/20 | TITLE MX123 49/56 CKT HRNS CONN ASSY | | | | | | | | | | | | | | | |
| APPROVED BY VKOSHY | DATE 2008/02/20 | MATERIAL NO. SEE BOM TABLE | MOLEX INCORPORATED | DOCUMENT NO. SD-34576-001 | SHEET NO. 8 OF 11 | THIS DRAWING CONTAINS INFORMATION THAT IS PROPRIETARY TO MOLEX INCORPORATED AND SHOULD NOT BE USED WITHOUT WRITTEN PERMISSION | | | | | | | | | | | | | | | |
| REV F15 | DESCRIPTION | DRAFT WHERE APPLICABLE MUST REMAIN WITHIN DIMENSIONS | SIZE D | | | | | | | | | | | | | | | | | | |

19 18 17 16 15 14 13 12 11 10 9 8 7 6 5 4 3 2 1

20 19 18 17 16 15 14 13 12 11 10 9 8 7 6 5 4 3 2 1

34576

| STATUS | GM PART # | MATERIAL # | PART/ MATERIAL REVISION | WIRE DRESS OPTION | KEY OPTION | COLOR (TPA) | NUMBERS INDICATE CAVITIES OPEN FOR CIRCUITS | | | | | | | | | | | | | | | | | | | | | | | | | | | | | | | | | | | | | | | | | | | | | | | | | | | | | | | |
|-----------|----------------|------------|-------------------------------|----------------------|---------------|----------------|--|----|----|----|----|----|----|----|----|----|----|----|----|----|----|----|----|----|----|----|----|----|----|----|----|----|----|----|----|----|----|----|----|----|----|----|----|----|----|----|----|--|----|----|----|----|----|---|--|--|---|---|---|---|---|---|
| AVAILABLE | NOT APPLICABLE | 34576-5203 | F | 0 | G | BLUE | <table border="1"> <tr><td>56</td><td>55</td><td>54</td><td>53</td><td></td><td></td><td>49</td><td>48</td><td>47</td><td></td><td>44</td></tr> <tr><td></td><td></td><td>40</td><td>39</td><td></td><td>37</td><td>36</td><td>35</td><td>34</td><td>33</td><td></td><td>29</td></tr> <tr><td></td><td></td><td></td><td></td><td></td><td></td><td></td><td></td><td>20</td><td>19</td><td>18</td><td></td><td>15</td></tr> <tr><td></td><td></td><td>13</td><td>12</td><td></td><td></td><td>9</td><td>7</td><td></td><td></td><td></td><td></td><td></td></tr> </table> | 56 | 55 | 54 | 53 | | | 49 | 48 | 47 | | 44 | | | 40 | 39 | | 37 | 36 | 35 | 34 | 33 | | 29 | | | | | | | | | 20 | 19 | 18 | | 15 | | | 13 | 12 | | | 9 | 7 | | | | | | | | | | | |
| 56 | 55 | 54 | 53 | | | 49 | 48 | 47 | | 44 | | | | | | | | | | | | | | | | | | | | | | | | | | | | | | | | | | | | | | | | | | | | | | | | | | | | |
| | | 40 | 39 | | 37 | 36 | 35 | 34 | 33 | | 29 | | | | | | | | | | | | | | | | | | | | | | | | | | | | | | | | | | | | | | | | | | | | | | | | | | | |
| | | | | | | | | 20 | 19 | 18 | | 15 | | | | | | | | | | | | | | | | | | | | | | | | | | | | | | | | | | | | | | | | | | | | | | | | | | |
| | | 13 | 12 | | | 9 | 7 | | | | | | | | | | | | | | | | | | | | | | | | | | | | | | | | | | | | | | | | | | | | | | | | | | | | | | | |
| AVAILABLE | NOT APPLICABLE | 34576-5403 | F | 0 | G | BLUE | <table border="1"> <tr><td></td><td>55</td><td></td><td>53</td><td></td><td>51</td><td></td><td>49</td><td>48</td><td>47</td><td></td><td>44</td><td></td></tr> <tr><td></td><td></td><td>40</td><td>39</td><td></td><td>37</td><td>36</td><td>35</td><td>34</td><td>33</td><td></td><td>30</td><td></td></tr> <tr><td></td><td></td><td>26</td><td>25</td><td></td><td></td><td>22</td><td>21</td><td>20</td><td>19</td><td>18</td><td>16</td><td></td></tr> <tr><td></td><td></td><td>13</td><td>12</td><td></td><td></td><td>9</td><td>7</td><td></td><td></td><td>4</td><td>2</td><td>1</td></tr> </table> | | 55 | | 53 | | 51 | | 49 | 48 | 47 | | 44 | | | | 40 | 39 | | 37 | 36 | 35 | 34 | 33 | | 30 | | | | 26 | 25 | | | 22 | 21 | 20 | 19 | 18 | 16 | | | | 13 | 12 | | | 9 | 7 | | | 4 | 2 | 1 | | | |
| | 55 | | 53 | | 51 | | 49 | 48 | 47 | | 44 | | | | | | | | | | | | | | | | | | | | | | | | | | | | | | | | | | | | | | | | | | | | | | | | | | | |
| | | 40 | 39 | | 37 | 36 | 35 | 34 | 33 | | 30 | | | | | | | | | | | | | | | | | | | | | | | | | | | | | | | | | | | | | | | | | | | | | | | | | | | |
| | | 26 | 25 | | | 22 | 21 | 20 | 19 | 18 | 16 | | | | | | | | | | | | | | | | | | | | | | | | | | | | | | | | | | | | | | | | | | | | | | | | | | | |
| | | 13 | 12 | | | 9 | 7 | | | 4 | 2 | 1 | | | | | | | | | | | | | | | | | | | | | | | | | | | | | | | | | | | | | | | | | | | | | | | | | | |
| AVAILABLE | NOT APPLICABLE | 34576-5503 | F | 0 | G | BLUE | <table border="1"> <tr><td>56</td><td>55</td><td></td><td>53</td><td></td><td>51</td><td></td><td>49</td><td>48</td><td>47</td><td></td><td>44</td><td></td></tr> <tr><td></td><td></td><td>40</td><td>39</td><td></td><td>37</td><td>36</td><td>35</td><td>34</td><td>33</td><td></td><td>30</td><td></td></tr> <tr><td></td><td></td><td></td><td>25</td><td></td><td>22</td><td>21</td><td>20</td><td>19</td><td>18</td><td></td><td>16</td><td></td></tr> <tr><td></td><td></td><td>13</td><td>12</td><td></td><td></td><td>9</td><td>7</td><td></td><td></td><td>4</td><td>2</td><td>1</td></tr> </table> | 56 | 55 | | 53 | | 51 | | 49 | 48 | 47 | | 44 | | | | 40 | 39 | | 37 | 36 | 35 | 34 | 33 | | 30 | | | | | 25 | | 22 | 21 | 20 | 19 | 18 | | 16 | | | | 13 | 12 | | | 9 | 7 | | | 4 | 2 | 1 | | | |
| 56 | 55 | | 53 | | 51 | | 49 | 48 | 47 | | 44 | | | | | | | | | | | | | | | | | | | | | | | | | | | | | | | | | | | | | | | | | | | | | | | | | | | |
| | | 40 | 39 | | 37 | 36 | 35 | 34 | 33 | | 30 | | | | | | | | | | | | | | | | | | | | | | | | | | | | | | | | | | | | | | | | | | | | | | | | | | | |
| | | | 25 | | 22 | 21 | 20 | 19 | 18 | | 16 | | | | | | | | | | | | | | | | | | | | | | | | | | | | | | | | | | | | | | | | | | | | | | | | | | | |
| | | 13 | 12 | | | 9 | 7 | | | 4 | 2 | 1 | | | | | | | | | | | | | | | | | | | | | | | | | | | | | | | | | | | | | | | | | | | | | | | | | | |
| AVAILABLE | NOT APPLICABLE | 34576-5603 | F | 0 | G | BLUE | <table border="1"> <tr><td>56</td><td>55</td><td></td><td>53</td><td></td><td></td><td>49</td><td>48</td><td>47</td><td>46</td><td></td><td>44</td><td></td></tr> <tr><td></td><td></td><td>40</td><td>39</td><td></td><td>37</td><td>36</td><td>35</td><td>34</td><td>33</td><td>32</td><td>31</td><td>30</td></tr> <tr><td></td><td></td><td></td><td>25</td><td></td><td>22</td><td>21</td><td>20</td><td>19</td><td>18</td><td></td><td>16</td><td></td></tr> <tr><td></td><td></td><td>13</td><td>12</td><td></td><td></td><td>9</td><td>7</td><td></td><td></td><td>4</td><td>2</td><td>1</td></tr> </table> | 56 | 55 | | 53 | | | 49 | 48 | 47 | 46 | | 44 | | | | 40 | 39 | | 37 | 36 | 35 | 34 | 33 | 32 | 31 | 30 | | | | 25 | | 22 | 21 | 20 | 19 | 18 | | 16 | | | | 13 | 12 | | | 9 | 7 | | | 4 | 2 | 1 | | | |
| 56 | 55 | | 53 | | | 49 | 48 | 47 | 46 | | 44 | | | | | | | | | | | | | | | | | | | | | | | | | | | | | | | | | | | | | | | | | | | | | | | | | | | |
| | | 40 | 39 | | 37 | 36 | 35 | 34 | 33 | 32 | 31 | 30 | | | | | | | | | | | | | | | | | | | | | | | | | | | | | | | | | | | | | | | | | | | | | | | | | | |
| | | | 25 | | 22 | 21 | 20 | 19 | 18 | | 16 | | | | | | | | | | | | | | | | | | | | | | | | | | | | | | | | | | | | | | | | | | | | | | | | | | | |
| | | 13 | 12 | | | 9 | 7 | | | 4 | 2 | 1 | | | | | | | | | | | | | | | | | | | | | | | | | | | | | | | | | | | | | | | | | | | | | | | | | | |
| AVAILABLE | NOT APPLICABLE | 34576-5703 | F | 0 | G | BLUE | <table border="1"> <tr><td></td><td>55</td><td></td><td>53</td><td></td><td></td><td>49</td><td>48</td><td>47</td><td>46</td><td></td><td>44</td><td></td></tr> <tr><td></td><td></td><td>40</td><td>39</td><td></td><td>37</td><td>36</td><td>35</td><td>34</td><td>33</td><td>32</td><td>31</td><td>30</td></tr> <tr><td></td><td></td><td>26</td><td>25</td><td></td><td>22</td><td>21</td><td>20</td><td>19</td><td>18</td><td></td><td>16</td><td></td></tr> <tr><td></td><td></td><td>13</td><td>12</td><td></td><td></td><td>9</td><td>7</td><td></td><td></td><td>4</td><td>2</td><td>1</td></tr> </table> | | 55 | | 53 | | | 49 | 48 | 47 | 46 | | 44 | | | | 40 | 39 | | 37 | 36 | 35 | 34 | 33 | 32 | 31 | 30 | | | 26 | 25 | | 22 | 21 | 20 | 19 | 18 | | 16 | | | | 13 | 12 | | | 9 | 7 | | | 4 | 2 | 1 | | | |
| | 55 | | 53 | | | 49 | 48 | 47 | 46 | | 44 | | | | | | | | | | | | | | | | | | | | | | | | | | | | | | | | | | | | | | | | | | | | | | | | | | | |
| | | 40 | 39 | | 37 | 36 | 35 | 34 | 33 | 32 | 31 | 30 | | | | | | | | | | | | | | | | | | | | | | | | | | | | | | | | | | | | | | | | | | | | | | | | | | |
| | | 26 | 25 | | 22 | 21 | 20 | 19 | 18 | | 16 | | | | | | | | | | | | | | | | | | | | | | | | | | | | | | | | | | | | | | | | | | | | | | | | | | | |
| | | 13 | 12 | | | 9 | 7 | | | 4 | 2 | 1 | | | | | | | | | | | | | | | | | | | | | | | | | | | | | | | | | | | | | | | | | | | | | | | | | | |
| AVAILABLE | NOT APPLICABLE | 34576-5803 | F | 0 | G | BLUE | <table border="1"> <tr><td></td><td>55</td><td></td><td>53</td><td></td><td></td><td>49</td><td>48</td><td>47</td><td>46</td><td>45</td><td>44</td><td></td></tr> <tr><td></td><td></td><td>40</td><td>39</td><td></td><td>37</td><td>36</td><td>35</td><td>34</td><td>33</td><td></td><td></td><td></td></tr> <tr><td></td><td></td><td>26</td><td>25</td><td></td><td></td><td></td><td></td><td>20</td><td>19</td><td>18</td><td></td><td></td></tr> <tr><td></td><td></td><td>13</td><td>12</td><td></td><td></td><td>9</td><td>7</td><td></td><td></td><td></td><td></td><td></td></tr> </table> | | 55 | | 53 | | | 49 | 48 | 47 | 46 | 45 | 44 | | | | 40 | 39 | | 37 | 36 | 35 | 34 | 33 | | | | | | 26 | 25 | | | | | 20 | 19 | 18 | | | | | 13 | 12 | | | 9 | 7 | | | | | | | | |
| | 55 | | 53 | | | 49 | 48 | 47 | 46 | 45 | 44 | | | | | | | | | | | | | | | | | | | | | | | | | | | | | | | | | | | | | | | | | | | | | | | | | | | |
| | | 40 | 39 | | 37 | 36 | 35 | 34 | 33 | | | | | | | | | | | | | | | | | | | | | | | | | | | | | | | | | | | | | | | | | | | | | | | | | | | | | |
| | | 26 | 25 | | | | | 20 | 19 | 18 | | | | | | | | | | | | | | | | | | | | | | | | | | | | | | | | | | | | | | | | | | | | | | | | | | | | |
| | | 13 | 12 | | | 9 | 7 | | | | | | | | | | | | | | | | | | | | | | | | | | | | | | | | | | | | | | | | | | | | | | | | | | | | | | | |
| AVAILABLE | NOT APPLICABLE | 34576-5903 | F | 0 | G | BLUE | <table border="1"> <tr><td>56</td><td></td><td></td><td>53</td><td>52</td><td></td><td></td><td></td><td></td><td>47</td><td></td><td>45</td><td>43</td></tr> <tr><td>41</td><td>40</td><td>39</td><td>38</td><td></td><td></td><td></td><td></td><td></td><td>34</td><td>33</td><td>31</td><td>30</td><td>29</td></tr> <tr><td>28</td><td>27</td><td>26</td><td>25</td><td>24</td><td></td><td></td><td></td><td></td><td>20</td><td>19</td><td>18</td><td>16</td><td></td></tr> <tr><td>13</td><td>12</td><td>11</td><td>10</td><td></td><td></td><td></td><td></td><td></td><td></td><td></td><td>3</td><td>2</td><td></td></tr> </table> | 56 | | | 53 | 52 | | | | | 47 | | 45 | 43 | 41 | 40 | 39 | 38 | | | | | | 34 | 33 | 31 | 30 | 29 | 28 | 27 | 26 | 25 | 24 | | | | | 20 | 19 | 18 | 16 | | 13 | 12 | 11 | 10 | | | | | | | | 3 | 2 | |
| 56 | | | 53 | 52 | | | | | 47 | | 45 | 43 | | | | | | | | | | | | | | | | | | | | | | | | | | | | | | | | | | | | | | | | | | | | | | | | | | |
| 41 | 40 | 39 | 38 | | | | | | 34 | 33 | 31 | 30 | 29 | | | | | | | | | | | | | | | | | | | | | | | | | | | | | | | | | | | | | | | | | | | | | | | | | |
| 28 | 27 | 26 | 25 | 24 | | | | | 20 | 19 | 18 | 16 | | | | | | | | | | | | | | | | | | | | | | | | | | | | | | | | | | | | | | | | | | | | | | | | | | |
| 13 | 12 | 11 | 10 | | | | | | | | 3 | 2 | | | | | | | | | | | | | | | | | | | | | | | | | | | | | | | | | | | | | | | | | | | | | | | | | | |
| AVAILABLE | NOT APPLICABLE | 34576-6003 | F | 0 | G | BLUE | <table border="1"> <tr><td>56</td><td></td><td></td><td>53</td><td>52</td><td></td><td>50</td><td></td><td></td><td>47</td><td></td><td>45</td><td>43</td></tr> <tr><td></td><td>40</td><td>39</td><td>38</td><td></td><td></td><td></td><td></td><td></td><td>34</td><td>33</td><td>31</td><td>30</td><td>29</td></tr> <tr><td>28</td><td>27</td><td>26</td><td>25</td><td>24</td><td></td><td></td><td></td><td></td><td>20</td><td>19</td><td>18</td><td>16</td><td></td></tr> <tr><td>14</td><td>13</td><td>12</td><td>11</td><td>10</td><td></td><td></td><td></td><td></td><td></td><td>5</td><td>4</td><td>3</td><td>2</td></tr> </table> | 56 | | | 53 | 52 | | 50 | | | 47 | | 45 | 43 | | 40 | 39 | 38 | | | | | | 34 | 33 | 31 | 30 | 29 | 28 | 27 | 26 | 25 | 24 | | | | | 20 | 19 | 18 | 16 | | 14 | 13 | 12 | 11 | 10 | | | | | | 5 | 4 | 3 | 2 |
| 56 | | | 53 | 52 | | 50 | | | 47 | | 45 | 43 | | | | | | | | | | | | | | | | | | | | | | | | | | | | | | | | | | | | | | | | | | | | | | | | | | |
| | 40 | 39 | 38 | | | | | | 34 | 33 | 31 | 30 | 29 | | | | | | | | | | | | | | | | | | | | | | | | | | | | | | | | | | | | | | | | | | | | | | | | | |
| 28 | 27 | 26 | 25 | 24 | | | | | 20 | 19 | 18 | 16 | | | | | | | | | | | | | | | | | | | | | | | | | | | | | | | | | | | | | | | | | | | | | | | | | | |
| 14 | 13 | 12 | 11 | 10 | | | | | | 5 | 4 | 3 | 2 | | | | | | | | | | | | | | | | | | | | | | | | | | | | | | | | | | | | | | | | | | | | | | | | | |
| AVAILABLE | NOT APPLICABLE | 34576-6103 | F | 0 | G | BLUE | <table border="1"> <tr><td>56</td><td>55</td><td>54</td><td>53</td><td></td><td>51</td><td></td><td>49</td><td>48</td><td>47</td><td></td><td>44</td><td></td></tr> <tr><td></td><td></td><td>40</td><td>39</td><td></td><td>37</td><td>36</td><td>35</td><td>34</td><td>33</td><td></td><td>30</td><td>29</td></tr> <tr><td></td><td></td><td></td><td></td><td></td><td></td><td></td><td></td><td>20</td><td>19</td><td>18</td><td>16</td><td>15</td></tr> <tr><td></td><td></td><td>13</td><td>12</td><td></td><td></td><td>9</td><td>7</td><td></td><td></td><td>4</td><td>2</td><td></td></tr> </table> | 56 | 55 | 54 | 53 | | 51 | | 49 | 48 | 47 | | 44 | | | | 40 | 39 | | 37 | 36 | 35 | 34 | 33 | | 30 | 29 | | | | | | | | | 20 | 19 | 18 | 16 | 15 | | | 13 | 12 | | | 9 | 7 | | | 4 | 2 | | | | |
| 56 | 55 | 54 | 53 | | 51 | | 49 | 48 | 47 | | 44 | | | | | | | | | | | | | | | | | | | | | | | | | | | | | | | | | | | | | | | | | | | | | | | | | | | |
| | | 40 | 39 | | 37 | 36 | 35 | 34 | 33 | | 30 | 29 | | | | | | | | | | | | | | | | | | | | | | | | | | | | | | | | | | | | | | | | | | | | | | | | | | |
| | | | | | | | | 20 | 19 | 18 | 16 | 15 | | | | | | | | | | | | | | | | | | | | | | | | | | | | | | | | | | | | | | | | | | | | | | | | | | |
| | | 13 | 12 | | | 9 | 7 | | | 4 | 2 | | | | | | | | | | | | | | | | | | | | | | | | | | | | | | | | | | | | | | | | | | | | | | | | | | | |

| ENTER DESCRIPTION EC NO: UAU2010-1803 DRAWN: H01 CHECKED: TSK IVER APPROVED: VKOSHY DATE: 2010/06/02 DATE: 2008/02/20 DATE: 2010/06/04 | QUALITY SYMBOLS =0 =0 | GENERAL TOLERANCES (UNLESS SPECIFIED) <table border="1"> <tr><th></th><th>mm</th><th>INCH</th></tr> <tr><td>4 PLACES</td><td>±----</td><td>±----</td></tr> <tr><td>3 PLACES</td><td>±----</td><td>±----</td></tr> <tr><td>2 PLACES</td><td>±----</td><td>±----</td></tr> <tr><td>1 PLACE</td><td>±----</td><td>±----</td></tr> </table> | | mm | INCH | 4 PLACES | ±---- | ±---- | 3 PLACES | ±---- | ±---- | 2 PLACES | ±---- | ±---- | 1 PLACE | ±---- | ±---- | DIMENSION STYLE MM ONLY | SCALE DRAWN BY: SRAJENDRANAT CHECKED BY: TSK IVER APPROVED BY: VKOSHY DATE: 2008/02/20 DATE: 2008/02/20 DATE: 2008/02/20 | DESIGN UNITS METRIC | THIRD ANGLE PROJECTION |
|--|------------------------------------|---|-------------------------------------|--|-----------------------------|----------|-------|-------|----------|-------|-------|----------|-------|-------|---------|-------|-------|--|---|--------------------------------------|-------------------------------|
| | | mm | INCH | | | | | | | | | | | | | | | | | | |
| | 4 PLACES | ±---- | ±---- | | | | | | | | | | | | | | | | | | |
| | 3 PLACES | ±---- | ±---- | | | | | | | | | | | | | | | | | | |
| 2 PLACES | ±---- | ±---- | | | | | | | | | | | | | | | | | | | |
| 1 PLACE | ±---- | ±---- | | | | | | | | | | | | | | | | | | | |
| DRAFT WHERE APPLICABLE MUST REMAIN WITHIN DIMENSIONS | | | SEE BOM TABLE | TITLE MX123 49/56 CKT HRNS CONN ASSY | | | | | | | | | | | | | | | | | |
| MOLEX INCORPORATED | | | DOCUMENT NO. SD-34576-001 | | SHEET NO. 9 OF 11 | | | | | | | | | | | | | | | | |
| THIS DRAWING CONTAINS INFORMATION THAT IS PROPRIETARY TO MOLEX INCORPORATED AND SHOULD NOT BE USED WITHOUT WRITTEN PERMISSION | | | | | | | | | | | | | | | | | | | | | |

19 18 17 16 15 14 13 12 11 10 9 8 7 6 5 4 3 2 1

| STATUS | GM PART # | MATERIAL # | PART/MATERIAL REVISION | WIRE DRESS OPTION | KEY OPTION | COLOR (TFA) | NUMBERS INDICATE CAVITIES OPEN FOR CIRCUITS | | | | | | | | | | | | | | | | | | | | | | | | | | | | | | | | | | | | | | | | | | | | | | | | | | | | | | | | | | | | | | | | | | | | | | | | |
|-----------|----------------|------------|------------------------|-------------------|------------|-------------|--|----|----|----|----|----|----|----|----|----|----|----|----|----|----|----|----|----|----|----|----|----|----|----|----|----|----|----|----|----|----|----|----|----|----|----|----|--|----|----|----|----|---|---|---|---|---|---|---|----|----|--|--|--|--|--|--|--|--|--|---|--|--|--|--|--|--|--|--|--|--|--|---|
| AVAILABLE | NOT APPLICABLE | 34576-6203 | G | 0 | G | BLUE | <table border="1"> <tr><td>55</td><td>54</td><td>53</td><td></td><td></td><td>49</td><td>48</td><td>47</td><td>46</td><td>45</td><td>44</td><td></td></tr> <tr><td></td><td>40</td><td></td><td></td><td>37</td><td>36</td><td>35</td><td>34</td><td>33</td><td></td><td></td><td></td></tr> <tr><td></td><td></td><td>26</td><td></td><td></td><td></td><td></td><td>20</td><td>19</td><td>18</td><td></td><td></td></tr> <tr><td></td><td></td><td></td><td></td><td>9</td><td>7</td><td></td><td></td><td></td><td></td><td></td><td></td></tr> <tr><td>13</td><td>12</td><td></td><td></td><td></td><td></td><td></td><td></td><td></td><td></td><td></td><td></td></tr> </table> | 55 | 54 | 53 | | | 49 | 48 | 47 | 46 | 45 | 44 | | | 40 | | | 37 | 36 | 35 | 34 | 33 | | | | | | 26 | | | | | 20 | 19 | 18 | | | | | | | 9 | 7 | | | | | | | 13 | 12 | | | | | | | | | | | | | | | | | | | | | | |
| 55 | 54 | 53 | | | 49 | 48 | 47 | 46 | 45 | 44 | | | | | | | | | | | | | | | | | | | | | | | | | | | | | | | | | | | | | | | | | | | | | | | | | | | | | | | | | | | | | | | | | | | | | |
| | 40 | | | 37 | 36 | 35 | 34 | 33 | | | | | | | | | | | | | | | | | | | | | | | | | | | | | | | | | | | | | | | | | | | | | | | | | | | | | | | | | | | | | | | | | | | | | | | |
| | | 26 | | | | | 20 | 19 | 18 | | | | | | | | | | | | | | | | | | | | | | | | | | | | | | | | | | | | | | | | | | | | | | | | | | | | | | | | | | | | | | | | | | | | | | |
| | | | | 9 | 7 | | | | | | | | | | | | | | | | | | | | | | | | | | | | | | | | | | | | | | | | | | | | | | | | | | | | | | | | | | | | | | | | | | | | | | | | | | |
| 13 | 12 | | | | | | | | | | | | | | | | | | | | | | | | | | | | | | | | | | | | | | | | | | | | | | | | | | | | | | | | | | | | | | | | | | | | | | | | | | | | | | |
| AVAILABLE | NOT APPLICABLE | 34576-6303 | G | 0 | G | BLUE | <table border="1"> <tr><td>55</td><td>54</td><td>53</td><td>51</td><td></td><td>49</td><td>48</td><td>47</td><td></td><td></td><td>44</td><td></td></tr> <tr><td></td><td>40</td><td>39</td><td>37</td><td>36</td><td>35</td><td>34</td><td>33</td><td></td><td></td><td></td><td>29</td></tr> <tr><td></td><td></td><td>26</td><td></td><td></td><td></td><td>20</td><td>19</td><td>18</td><td></td><td>16</td><td>15</td></tr> <tr><td></td><td></td><td></td><td>9</td><td>7</td><td></td><td></td><td></td><td>4</td><td></td><td>2</td><td></td></tr> <tr><td>13</td><td>12</td><td></td><td></td><td></td><td></td><td></td><td></td><td></td><td></td><td></td><td></td></tr> </table> | 55 | 54 | 53 | 51 | | 49 | 48 | 47 | | | 44 | | | 40 | 39 | 37 | 36 | 35 | 34 | 33 | | | | 29 | | | 26 | | | | 20 | 19 | 18 | | 16 | 15 | | | | 9 | 7 | | | | 4 | | 2 | | 13 | 12 | | | | | | | | | | | | | | | | | | | | | | |
| 55 | 54 | 53 | 51 | | 49 | 48 | 47 | | | 44 | | | | | | | | | | | | | | | | | | | | | | | | | | | | | | | | | | | | | | | | | | | | | | | | | | | | | | | | | | | | | | | | | | | | | |
| | 40 | 39 | 37 | 36 | 35 | 34 | 33 | | | | 29 | | | | | | | | | | | | | | | | | | | | | | | | | | | | | | | | | | | | | | | | | | | | | | | | | | | | | | | | | | | | | | | | | | | | |
| | | 26 | | | | 20 | 19 | 18 | | 16 | 15 | | | | | | | | | | | | | | | | | | | | | | | | | | | | | | | | | | | | | | | | | | | | | | | | | | | | | | | | | | | | | | | | | | | | |
| | | | 9 | 7 | | | | 4 | | 2 | | | | | | | | | | | | | | | | | | | | | | | | | | | | | | | | | | | | | | | | | | | | | | | | | | | | | | | | | | | | | | | | | | | | | |
| 13 | 12 | | | | | | | | | | | | | | | | | | | | | | | | | | | | | | | | | | | | | | | | | | | | | | | | | | | | | | | | | | | | | | | | | | | | | | | | | | | | | | |
| AVAILABLE | NOT APPLICABLE | 34576-6403 | G | 0 | G | BLUE | <table border="1"> <tr><td>55</td><td>54</td><td></td><td></td><td></td><td>49</td><td>48</td><td>47</td><td></td><td></td><td>44</td><td></td></tr> <tr><td></td><td>41</td><td>40</td><td></td><td></td><td>37</td><td>36</td><td>35</td><td>34</td><td>33</td><td></td><td></td></tr> <tr><td></td><td></td><td></td><td></td><td></td><td></td><td></td><td></td><td>20</td><td>19</td><td>18</td><td></td></tr> <tr><td></td><td></td><td></td><td></td><td>9</td><td>8</td><td>7</td><td></td><td></td><td></td><td></td><td>3</td></tr> <tr><td>13</td><td>12</td><td></td><td></td><td></td><td></td><td></td><td></td><td></td><td></td><td></td><td></td></tr> </table> | 55 | 54 | | | | 49 | 48 | 47 | | | 44 | | | 41 | 40 | | | 37 | 36 | 35 | 34 | 33 | | | | | | | | | | | 20 | 19 | 18 | | | | | | 9 | 8 | 7 | | | | | 3 | 13 | 12 | | | | | | | | | | | | | | | | | | | | | | |
| 55 | 54 | | | | 49 | 48 | 47 | | | 44 | | | | | | | | | | | | | | | | | | | | | | | | | | | | | | | | | | | | | | | | | | | | | | | | | | | | | | | | | | | | | | | | | | | | | |
| | 41 | 40 | | | 37 | 36 | 35 | 34 | 33 | | | | | | | | | | | | | | | | | | | | | | | | | | | | | | | | | | | | | | | | | | | | | | | | | | | | | | | | | | | | | | | | | | | | | | |
| | | | | | | | | 20 | 19 | 18 | | | | | | | | | | | | | | | | | | | | | | | | | | | | | | | | | | | | | | | | | | | | | | | | | | | | | | | | | | | | | | | | | | | | | |
| | | | | 9 | 8 | 7 | | | | | 3 | | | | | | | | | | | | | | | | | | | | | | | | | | | | | | | | | | | | | | | | | | | | | | | | | | | | | | | | | | | | | | | | | | | | |
| 13 | 12 | | | | | | | | | | | | | | | | | | | | | | | | | | | | | | | | | | | | | | | | | | | | | | | | | | | | | | | | | | | | | | | | | | | | | | | | | | | | | | |
| AVAILABLE | NOT APPLICABLE | 34576-6503 | G | 0 | G | BLUE | <table border="1"> <tr><td></td><td>54</td><td></td><td></td><td></td><td></td><td></td><td>47</td><td>46</td><td>45</td><td>43</td><td></td></tr> <tr><td>41</td><td>40</td><td>39</td><td>38</td><td>37</td><td></td><td></td><td>33</td><td>32</td><td>31</td><td>30</td><td>29</td></tr> <tr><td>28</td><td>27</td><td>26</td><td>25</td><td>24</td><td>23</td><td></td><td>20</td><td>19</td><td>18</td><td></td><td>16</td></tr> <tr><td></td><td>13</td><td>12</td><td>11</td><td>10</td><td>9</td><td></td><td></td><td></td><td></td><td>3</td><td>2</td></tr> </table> | | 54 | | | | | | 47 | 46 | 45 | 43 | | 41 | 40 | 39 | 38 | 37 | | | 33 | 32 | 31 | 30 | 29 | 28 | 27 | 26 | 25 | 24 | 23 | | 20 | 19 | 18 | | 16 | | 13 | 12 | 11 | 10 | 9 | | | | | 3 | 2 | | | | | | | | | | | | | | | | | | | | | | | | |
| | 54 | | | | | | 47 | 46 | 45 | 43 | | | | | | | | | | | | | | | | | | | | | | | | | | | | | | | | | | | | | | | | | | | | | | | | | | | | | | | | | | | | | | | | | | | | | |
| 41 | 40 | 39 | 38 | 37 | | | 33 | 32 | 31 | 30 | 29 | | | | | | | | | | | | | | | | | | | | | | | | | | | | | | | | | | | | | | | | | | | | | | | | | | | | | | | | | | | | | | | | | | | | |
| 28 | 27 | 26 | 25 | 24 | 23 | | 20 | 19 | 18 | | 16 | | | | | | | | | | | | | | | | | | | | | | | | | | | | | | | | | | | | | | | | | | | | | | | | | | | | | | | | | | | | | | | | | | | | |
| | 13 | 12 | 11 | 10 | 9 | | | | | 3 | 2 | | | | | | | | | | | | | | | | | | | | | | | | | | | | | | | | | | | | | | | | | | | | | | | | | | | | | | | | | | | | | | | | | | | | |
| AVAILABLE | NOT APPLICABLE | 34576-6603 | G | 0 | G | BLUE | <table border="1"> <tr><td></td><td>54</td><td></td><td></td><td></td><td></td><td></td><td>47</td><td>46</td><td>45</td><td>43</td><td></td></tr> <tr><td>41</td><td>40</td><td>39</td><td>38</td><td>37</td><td></td><td></td><td>34</td><td>33</td><td>32</td><td>31</td><td>30</td></tr> <tr><td>28</td><td>27</td><td>26</td><td>25</td><td>24</td><td>23</td><td></td><td>20</td><td>19</td><td>18</td><td></td><td>16</td></tr> <tr><td></td><td>13</td><td>12</td><td>11</td><td>10</td><td>9</td><td></td><td></td><td></td><td></td><td>3</td><td>2</td></tr> </table> | | 54 | | | | | | 47 | 46 | 45 | 43 | | 41 | 40 | 39 | 38 | 37 | | | 34 | 33 | 32 | 31 | 30 | 28 | 27 | 26 | 25 | 24 | 23 | | 20 | 19 | 18 | | 16 | | 13 | 12 | 11 | 10 | 9 | | | | | 3 | 2 | | | | | | | | | | | | | | | | | | | | | | | | |
| | 54 | | | | | | 47 | 46 | 45 | 43 | | | | | | | | | | | | | | | | | | | | | | | | | | | | | | | | | | | | | | | | | | | | | | | | | | | | | | | | | | | | | | | | | | | | | |
| 41 | 40 | 39 | 38 | 37 | | | 34 | 33 | 32 | 31 | 30 | | | | | | | | | | | | | | | | | | | | | | | | | | | | | | | | | | | | | | | | | | | | | | | | | | | | | | | | | | | | | | | | | | | | |
| 28 | 27 | 26 | 25 | 24 | 23 | | 20 | 19 | 18 | | 16 | | | | | | | | | | | | | | | | | | | | | | | | | | | | | | | | | | | | | | | | | | | | | | | | | | | | | | | | | | | | | | | | | | | | |
| | 13 | 12 | 11 | 10 | 9 | | | | | 3 | 2 | | | | | | | | | | | | | | | | | | | | | | | | | | | | | | | | | | | | | | | | | | | | | | | | | | | | | | | | | | | | | | | | | | | | |
| AVAILABLE | NOT APPLICABLE | 34576-6703 | G | 0 | G | BLUE | <table border="1"> <tr><td>55</td><td></td><td></td><td>52</td><td>51</td><td></td><td></td><td>48</td><td></td><td>46</td><td>45</td><td>43</td></tr> <tr><td>41</td><td>40</td><td>39</td><td>38</td><td></td><td></td><td></td><td></td><td>33</td><td>32</td><td>31</td><td>30</td></tr> <tr><td>28</td><td></td><td>26</td><td>25</td><td>24</td><td></td><td></td><td></td><td>20</td><td>19</td><td>18</td><td>16</td></tr> <tr><td></td><td>13</td><td>12</td><td>11</td><td>10</td><td></td><td></td><td></td><td></td><td></td><td></td><td>3</td></tr> <tr><td></td><td></td><td></td><td></td><td></td><td></td><td></td><td></td><td></td><td></td><td></td><td>2</td></tr> <tr><td></td><td></td><td></td><td></td><td></td><td></td><td></td><td></td><td></td><td></td><td></td><td>1</td></tr> </table> | 55 | | | 52 | 51 | | | 48 | | 46 | 45 | 43 | 41 | 40 | 39 | 38 | | | | | 33 | 32 | 31 | 30 | 28 | | 26 | 25 | 24 | | | | 20 | 19 | 18 | 16 | | 13 | 12 | 11 | 10 | | | | | | | 3 | | | | | | | | | | | | 2 | | | | | | | | | | | | 1 |
| 55 | | | 52 | 51 | | | 48 | | 46 | 45 | 43 | | | | | | | | | | | | | | | | | | | | | | | | | | | | | | | | | | | | | | | | | | | | | | | | | | | | | | | | | | | | | | | | | | | | |
| 41 | 40 | 39 | 38 | | | | | 33 | 32 | 31 | 30 | | | | | | | | | | | | | | | | | | | | | | | | | | | | | | | | | | | | | | | | | | | | | | | | | | | | | | | | | | | | | | | | | | | | |
| 28 | | 26 | 25 | 24 | | | | 20 | 19 | 18 | 16 | | | | | | | | | | | | | | | | | | | | | | | | | | | | | | | | | | | | | | | | | | | | | | | | | | | | | | | | | | | | | | | | | | | | |
| | 13 | 12 | 11 | 10 | | | | | | | 3 | | | | | | | | | | | | | | | | | | | | | | | | | | | | | | | | | | | | | | | | | | | | | | | | | | | | | | | | | | | | | | | | | | | | |
| | | | | | | | | | | | 2 | | | | | | | | | | | | | | | | | | | | | | | | | | | | | | | | | | | | | | | | | | | | | | | | | | | | | | | | | | | | | | | | | | | | |
| | | | | | | | | | | | 1 | | | | | | | | | | | | | | | | | | | | | | | | | | | | | | | | | | | | | | | | | | | | | | | | | | | | | | | | | | | | | | | | | | | | |
| AVAILABLE | NOT APPLICABLE | 34576-6803 | G | 0 | G | BLUE | <table border="1"> <tr><td></td><td></td><td></td><td>52</td><td></td><td></td><td></td><td>48</td><td></td><td>46</td><td>45</td><td>43</td></tr> <tr><td>41</td><td>40</td><td>39</td><td>38</td><td></td><td></td><td></td><td></td><td>33</td><td>32</td><td>31</td><td>30</td></tr> <tr><td>28</td><td></td><td>26</td><td>25</td><td>24</td><td></td><td></td><td></td><td>20</td><td>19</td><td>18</td><td>16</td></tr> <tr><td></td><td>13</td><td>12</td><td>11</td><td>10</td><td></td><td></td><td></td><td></td><td></td><td></td><td>3</td></tr> <tr><td></td><td></td><td></td><td></td><td></td><td></td><td></td><td></td><td></td><td></td><td></td><td>2</td></tr> <tr><td></td><td></td><td></td><td></td><td></td><td></td><td></td><td></td><td></td><td></td><td></td><td>1</td></tr> </table> | | | | 52 | | | | 48 | | 46 | 45 | 43 | 41 | 40 | 39 | 38 | | | | | 33 | 32 | 31 | 30 | 28 | | 26 | 25 | 24 | | | | 20 | 19 | 18 | 16 | | 13 | 12 | 11 | 10 | | | | | | | 3 | | | | | | | | | | | | 2 | | | | | | | | | | | | 1 |
| | | | 52 | | | | 48 | | 46 | 45 | 43 | | | | | | | | | | | | | | | | | | | | | | | | | | | | | | | | | | | | | | | | | | | | | | | | | | | | | | | | | | | | | | | | | | | | |
| 41 | 40 | 39 | 38 | | | | | 33 | 32 | 31 | 30 | | | | | | | | | | | | | | | | | | | | | | | | | | | | | | | | | | | | | | | | | | | | | | | | | | | | | | | | | | | | | | | | | | | | |
| 28 | | 26 | 25 | 24 | | | | 20 | 19 | 18 | 16 | | | | | | | | | | | | | | | | | | | | | | | | | | | | | | | | | | | | | | | | | | | | | | | | | | | | | | | | | | | | | | | | | | | | |
| | 13 | 12 | 11 | 10 | | | | | | | 3 | | | | | | | | | | | | | | | | | | | | | | | | | | | | | | | | | | | | | | | | | | | | | | | | | | | | | | | | | | | | | | | | | | | | |
| | | | | | | | | | | | 2 | | | | | | | | | | | | | | | | | | | | | | | | | | | | | | | | | | | | | | | | | | | | | | | | | | | | | | | | | | | | | | | | | | | | |
| | | | | | | | | | | | 1 | | | | | | | | | | | | | | | | | | | | | | | | | | | | | | | | | | | | | | | | | | | | | | | | | | | | | | | | | | | | | | | | | | | | |
| AVAILABLE | NOT APPLICABLE | 34576-6813 | G | 0 | G | BLUE | <table border="1"> <tr><td>56</td><td>55</td><td>54</td><td>53</td><td></td><td>51</td><td>50</td><td>49</td><td></td><td>47</td><td></td><td>44</td></tr> <tr><td>42</td><td></td><td>39</td><td>37</td><td>36</td><td>35</td><td>34</td><td></td><td></td><td></td><td></td><td></td></tr> <tr><td></td><td>27</td><td></td><td>25</td><td></td><td>23</td><td>22</td><td>21</td><td></td><td></td><td>17</td><td></td></tr> <tr><td></td><td></td><td>11</td><td></td><td>9</td><td>8</td><td>7</td><td>6</td><td>5</td><td>4</td><td></td><td></td></tr> </table> | 56 | 55 | 54 | 53 | | 51 | 50 | 49 | | 47 | | 44 | 42 | | 39 | 37 | 36 | 35 | 34 | | | | | | | 27 | | 25 | | 23 | 22 | 21 | | | 17 | | | | 11 | | 9 | 8 | 7 | 6 | 5 | 4 | | | | | | | | | | | | | | | | | | | | | | | | | | |
| 56 | 55 | 54 | 53 | | 51 | 50 | 49 | | 47 | | 44 | | | | | | | | | | | | | | | | | | | | | | | | | | | | | | | | | | | | | | | | | | | | | | | | | | | | | | | | | | | | | | | | | | | | |
| 42 | | 39 | 37 | 36 | 35 | 34 | | | | | | | | | | | | | | | | | | | | | | | | | | | | | | | | | | | | | | | | | | | | | | | | | | | | | | | | | | | | | | | | | | | | | | | | | |
| | 27 | | 25 | | 23 | 22 | 21 | | | 17 | | | | | | | | | | | | | | | | | | | | | | | | | | | | | | | | | | | | | | | | | | | | | | | | | | | | | | | | | | | | | | | | | | | | | |
| | | 11 | | 9 | 8 | 7 | 6 | 5 | 4 | | | | | | | | | | | | | | | | | | | | | | | | | | | | | | | | | | | | | | | | | | | | | | | | | | | | | | | | | | | | | | | | | | | | | | |
| AVAILABLE | NOT APPLICABLE | 34576-6823 | G | 0 | G | BLUE | <table border="1"> <tr><td>56</td><td>54</td><td>53</td><td></td><td></td><td>50</td><td>49</td><td></td><td>47</td><td></td><td>44</td><td></td></tr> <tr><td>42</td><td></td><td>39</td><td></td><td></td><td>37</td><td>36</td><td>35</td><td>34</td><td></td><td></td><td></td></tr> <tr><td></td><td>27</td><td></td><td>25</td><td></td><td>23</td><td>22</td><td>21</td><td></td><td></td><td>17</td><td></td></tr> <tr><td></td><td></td><td>11</td><td></td><td>9</td><td>8</td><td>7</td><td>6</td><td>5</td><td>4</td><td></td><td></td></tr> </table> | 56 | 54 | 53 | | | 50 | 49 | | 47 | | 44 | | 42 | | 39 | | | 37 | 36 | 35 | 34 | | | | | 27 | | 25 | | 23 | 22 | 21 | | | 17 | | | | 11 | | 9 | 8 | 7 | 6 | 5 | 4 | | | | | | | | | | | | | | | | | | | | | | | | | | |
| 56 | 54 | 53 | | | 50 | 49 | | 47 | | 44 | | | | | | | | | | | | | | | | | | | | | | | | | | | | | | | | | | | | | | | | | | | | | | | | | | | | | | | | | | | | | | | | | | | | | |
| 42 | | 39 | | | 37 | 36 | 35 | 34 | | | | | | | | | | | | | | | | | | | | | | | | | | | | | | | | | | | | | | | | | | | | | | | | | | | | | | | | | | | | | | | | | | | | | | | |
| | 27 | | 25 | | 23 | 22 | 21 | | | 17 | | | | | | | | | | | | | | | | | | | | | | | | | | | | | | | | | | | | | | | | | | | | | | | | | | | | | | | | | | | | | | | | | | | | | |
| | | 11 | | 9 | 8 | 7 | 6 | 5 | 4 | | | | | | | | | | | | | | | | | | | | | | | | | | | | | | | | | | | | | | | | | | | | | | | | | | | | | | | | | | | | | | | | | | | | | | |

| | | | | | | |
|--|--|---|-----------------------------------|---|-------------------------------|----------------------------|
| ENTER DESCRIPTION EC NO. UAU2010-1803 DRAWN BY: CHYD:SKIVER DATE: 2008/02/20 APPR: VKOSHY DATE: 2010/06/04 | QUALITY SYMBOLS =0 =0 | GENERAL TOLERANCES (UNLESS SPECIFIED) mm INCH 4 PLACES ± --- ± --- 3 PLACES ± --- ± --- 2 PLACES ± --- ± --- 1 PLACE ± --- ± --- ANGULAR ± ---° | DIMENSION STYLE MM ONLY | SCALE 1:1 | DESIGN UNITS METRIC | THIRD ANGLE PROJECTION |
| | DRAWN BY: SRAJENDRANAT DATE: 2008/02/20 CHECKED BY: TSKIVER DATE: 2008/02/20 APPROVED BY: VKOSHY DATE: 2008/02/20 | MATERIAL NO. SEE BOM TABLE | DOCUMENT NO. SD-34576-001 | TITLE MX123 49/56 CKT HRNS CONN ASSY | MOLEX INCORPORATED | SHEET NO. 10 OF 11 |
| | THIS DRAWING CONTAINS INFORMATION THAT IS PROPRIETARY TO MOLEX INCORPORATED AND SHOULD NOT BE USED WITHOUT WRITTEN PERMISSION | | | | | |
| | DRAFT WHERE APPLICABLE MUST REMAIN WITHIN DIMENSIONS | | | | | |

20 19 18 17 16 15 14 13 12 11 10 9 8 7 6 5 4 3 2 1

| STATUS | GM PART # | MATERIAL # | PART/MATERIAL REVISION | WIRE DRESS OPTION | KEY OPTION | COLOR (TFA) | NUMBERS INDICATE CAVITIES OPEN FOR CIRCUITS | | | | | | | | | | | | | | | | | | | | | | | | | | | | | | | | | | | | | | | | | | | | | | | | | | | | | | |
|-----------|----------------|------------|------------------------|-------------------|------------|-------------|--|----|----|----|----|----|----|----|----|----|----|----|--|--|----|----|----|----|----|----|--|----|----|----|----|----|----|----|----|----|----|----|----|----|----|----|----|----|----|----|----|----|----|----|----|----|---|--|--|---|---|---|---|--|--|
| AVAILABLE | NOT APPLICABLE | 34576-6833 | G | 0 | G | BLUE | <table border="1"> <tr><td>56</td><td>54</td><td>53</td><td></td><td></td><td>50</td><td>49</td><td>47</td><td></td><td></td><td></td><td></td></tr> <tr><td></td><td></td><td></td><td></td><td></td><td></td><td>21</td><td></td><td></td><td></td><td>17</td><td></td></tr> <tr><td>14</td><td></td><td>11</td><td></td><td>9</td><td>8</td><td>7</td><td>6</td><td>5</td><td>4</td><td></td><td></td></tr> </table> | 56 | 54 | 53 | | | 50 | 49 | 47 | | | | | | | | | | | 21 | | | | 17 | | 14 | | 11 | | 9 | 8 | 7 | 6 | 5 | 4 | | | | | | | | | | | | | | | | | | | | |
| 56 | 54 | 53 | | | 50 | 49 | 47 | | | | | | | | | | | | | | | | | | | | | | | | | | | | | | | | | | | | | | | | | | | | | | | | | | | | | | |
| | | | | | | 21 | | | | 17 | | | | | | | | | | | | | | | | | | | | | | | | | | | | | | | | | | | | | | | | | | | | | | | | | | | |
| 14 | | 11 | | 9 | 8 | 7 | 6 | 5 | 4 | | | | | | | | | | | | | | | | | | | | | | | | | | | | | | | | | | | | | | | | | | | | | | | | | | | | |
| AVAILABLE | NOT APPLICABLE | 34576-6843 | G | 0 | G | BLUE | <table border="1"> <tr><td>56</td><td>54</td><td>53</td><td>52</td><td></td><td></td><td></td><td>47</td><td>46</td><td>45</td><td>43</td><td></td></tr> <tr><td></td><td>41</td><td>40</td><td>39</td><td>38</td><td>37</td><td></td><td></td><td>33</td><td>32</td><td>31</td><td>30</td><td>29</td></tr> <tr><td>28</td><td>27</td><td>26</td><td>25</td><td>24</td><td>23</td><td></td><td></td><td>20</td><td>19</td><td>18</td><td></td><td>16</td></tr> <tr><td></td><td>13</td><td>12</td><td>11</td><td>10</td><td>9</td><td></td><td></td><td></td><td></td><td>3</td><td>2</td><td></td></tr> </table> | 56 | 54 | 53 | 52 | | | | 47 | 46 | 45 | 43 | | | 41 | 40 | 39 | 38 | 37 | | | 33 | 32 | 31 | 30 | 29 | 28 | 27 | 26 | 25 | 24 | 23 | | | 20 | 19 | 18 | | 16 | | 13 | 12 | 11 | 10 | 9 | | | | | 3 | 2 | | | | |
| 56 | 54 | 53 | 52 | | | | 47 | 46 | 45 | 43 | | | | | | | | | | | | | | | | | | | | | | | | | | | | | | | | | | | | | | | | | | | | | | | | | | | |
| | 41 | 40 | 39 | 38 | 37 | | | 33 | 32 | 31 | 30 | 29 | | | | | | | | | | | | | | | | | | | | | | | | | | | | | | | | | | | | | | | | | | | | | | | | | |
| 28 | 27 | 26 | 25 | 24 | 23 | | | 20 | 19 | 18 | | 16 | | | | | | | | | | | | | | | | | | | | | | | | | | | | | | | | | | | | | | | | | | | | | | | | | |
| | 13 | 12 | 11 | 10 | 9 | | | | | 3 | 2 | | | | | | | | | | | | | | | | | | | | | | | | | | | | | | | | | | | | | | | | | | | | | | | | | | |
| AVAILABLE | NOT APPLICABLE | 34576-6853 | G | 0 | G | BLUE | <table border="1"> <tr><td>56</td><td>54</td><td>53</td><td>52</td><td></td><td></td><td></td><td>47</td><td>46</td><td>45</td><td>43</td><td></td></tr> <tr><td></td><td>41</td><td>40</td><td>39</td><td>38</td><td>37</td><td></td><td></td><td>34</td><td>33</td><td>32</td><td>31</td><td>30</td><td>29</td></tr> <tr><td>28</td><td>27</td><td>26</td><td>25</td><td>24</td><td>23</td><td></td><td></td><td>20</td><td>19</td><td>18</td><td></td><td>16</td><td></td></tr> <tr><td></td><td>13</td><td>12</td><td>11</td><td>10</td><td>9</td><td></td><td></td><td></td><td></td><td>3</td><td>2</td><td></td><td></td></tr> </table> | 56 | 54 | 53 | 52 | | | | 47 | 46 | 45 | 43 | | | 41 | 40 | 39 | 38 | 37 | | | 34 | 33 | 32 | 31 | 30 | 29 | 28 | 27 | 26 | 25 | 24 | 23 | | | 20 | 19 | 18 | | 16 | | | 13 | 12 | 11 | 10 | 9 | | | | | 3 | 2 | | |
| 56 | 54 | 53 | 52 | | | | 47 | 46 | 45 | 43 | | | | | | | | | | | | | | | | | | | | | | | | | | | | | | | | | | | | | | | | | | | | | | | | | | | |
| | 41 | 40 | 39 | 38 | 37 | | | 34 | 33 | 32 | 31 | 30 | 29 | | | | | | | | | | | | | | | | | | | | | | | | | | | | | | | | | | | | | | | | | | | | | | | | |
| 28 | 27 | 26 | 25 | 24 | 23 | | | 20 | 19 | 18 | | 16 | | | | | | | | | | | | | | | | | | | | | | | | | | | | | | | | | | | | | | | | | | | | | | | | | |
| | 13 | 12 | 11 | 10 | 9 | | | | | 3 | 2 | | | | | | | | | | | | | | | | | | | | | | | | | | | | | | | | | | | | | | | | | | | | | | | | | | |
| AVAILABLE | NOT APPLICABLE | 34576-6863 | G | 0 | G | BLUE | <table border="1"> <tr><td></td><td>55</td><td></td><td>52</td><td>51</td><td></td><td></td><td>48</td><td>46</td><td>45</td><td>43</td><td></td></tr> <tr><td></td><td>41</td><td>40</td><td>38</td><td></td><td></td><td></td><td></td><td>33</td><td>32</td><td>31</td><td>30</td><td>29</td></tr> <tr><td>28</td><td></td><td>26</td><td>24</td><td></td><td></td><td></td><td>20</td><td>19</td><td>18</td><td></td><td>16</td><td>15</td></tr> <tr><td></td><td>13</td><td>12</td><td>10</td><td></td><td></td><td></td><td></td><td></td><td></td><td>3</td><td>2</td><td>1</td></tr> </table> | | 55 | | 52 | 51 | | | 48 | 46 | 45 | 43 | | | 41 | 40 | 38 | | | | | 33 | 32 | 31 | 30 | 29 | 28 | | 26 | 24 | | | | 20 | 19 | 18 | | 16 | 15 | | 13 | 12 | 10 | | | | | | | 3 | 2 | 1 | | | |
| | 55 | | 52 | 51 | | | 48 | 46 | 45 | 43 | | | | | | | | | | | | | | | | | | | | | | | | | | | | | | | | | | | | | | | | | | | | | | | | | | | |
| | 41 | 40 | 38 | | | | | 33 | 32 | 31 | 30 | 29 | | | | | | | | | | | | | | | | | | | | | | | | | | | | | | | | | | | | | | | | | | | | | | | | | |
| 28 | | 26 | 24 | | | | 20 | 19 | 18 | | 16 | 15 | | | | | | | | | | | | | | | | | | | | | | | | | | | | | | | | | | | | | | | | | | | | | | | | | |
| | 13 | 12 | 10 | | | | | | | 3 | 2 | 1 | | | | | | | | | | | | | | | | | | | | | | | | | | | | | | | | | | | | | | | | | | | | | | | | | |
| AVAILABLE | NOT APPLICABLE | 34576-6873 | G | 0 | G | BLUE | <table border="1"> <tr><td></td><td></td><td></td><td>52</td><td></td><td></td><td></td><td>48</td><td>46</td><td>45</td><td>43</td><td></td></tr> <tr><td></td><td>41</td><td>40</td><td>38</td><td></td><td></td><td></td><td></td><td>33</td><td>32</td><td>31</td><td>30</td><td>29</td></tr> <tr><td>28</td><td></td><td>26</td><td>24</td><td></td><td></td><td></td><td>20</td><td>19</td><td>18</td><td></td><td>16</td><td>15</td></tr> <tr><td></td><td>13</td><td>12</td><td>10</td><td></td><td></td><td></td><td></td><td></td><td></td><td>3</td><td>2</td><td>1</td></tr> </table> | | | | 52 | | | | 48 | 46 | 45 | 43 | | | 41 | 40 | 38 | | | | | 33 | 32 | 31 | 30 | 29 | 28 | | 26 | 24 | | | | 20 | 19 | 18 | | 16 | 15 | | 13 | 12 | 10 | | | | | | | 3 | 2 | 1 | | | |
| | | | 52 | | | | 48 | 46 | 45 | 43 | | | | | | | | | | | | | | | | | | | | | | | | | | | | | | | | | | | | | | | | | | | | | | | | | | | |
| | 41 | 40 | 38 | | | | | 33 | 32 | 31 | 30 | 29 | | | | | | | | | | | | | | | | | | | | | | | | | | | | | | | | | | | | | | | | | | | | | | | | | |
| 28 | | 26 | 24 | | | | 20 | 19 | 18 | | 16 | 15 | | | | | | | | | | | | | | | | | | | | | | | | | | | | | | | | | | | | | | | | | | | | | | | | | |
| | 13 | 12 | 10 | | | | | | | 3 | 2 | 1 | | | | | | | | | | | | | | | | | | | | | | | | | | | | | | | | | | | | | | | | | | | | | | | | | |

| | | | | | | |
|---|-----------------|--|----------------------------|---------------------------|---------------------------------------|------------------------|
| ENTER DESCRIPTION EC NO: JAU2010-1803 DRAWN BY: 2010/06/02 CHKD: SKIVER 2008/02/20 APPR: VKOSHY 2010/06/04 REV: | QUALITY SYMBOLS | GENERAL TOLERANCES (UNLESS SPECIFIED) | DIMENSION STYLE | SCALE | DESIGN UNITS | THIRD ANGLE PROJECTION |
| | ▽=0 | mm INCH | MM ONLY | 1:1 | METRIC | |
| | ▽=0 | 4 PLACES ± --- ± --- | DRAWN BY: SRAJENDRANAT | DATE: 2008/02/20 | TITLE: MX123 49/56 CKT HRNS CONN ASSY | |
| | ▽=0 | 3 PLACES ± --- ± --- | CHECKED BY: TSKIVER | DATE: 2008/02/20 | APPROVED BY: VKOSHY | DATE: 2008/02/20 |
| | ANGULAR ± ---° | DRAFT WHERE APPLICABLE MUST REMAIN WITHIN DIMENSIONS | MATERIAL NO. SEE BOM TABLE | DOCUMENT NO. SD-34576-001 | SHEET NO. 11 OF 11 | |

19 18 17 16 15 14 13 12 11 10 9 8 7 6 5 4 3 2 1