

PLEASE CHECK WWW.MOLEX.COM FOR LATEST PART INFORMATION

Part Number: [0352700610](#)
Status: **Active**
Description: 6.00mm (.236") Tab Wire-to-Wire Receptacle Housing, Secondary Lock, 6 Circuits

Documents:

[Drawing \(PDF\)](#) [RoHS Certificate of Compliance \(PDF\)](#)
[Product Specification PS-35270-001 \(PDF\)](#)

General

Product Family	Crimp Housings
Series	35270
Product Name	N/A

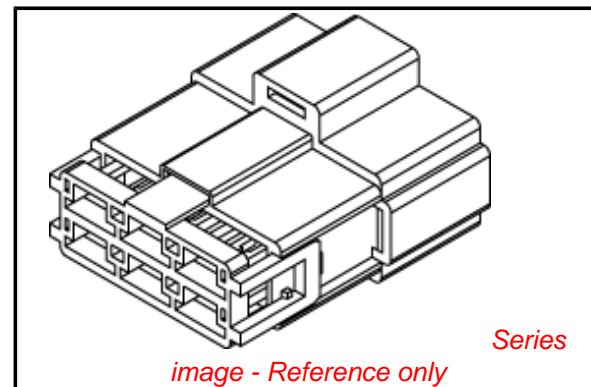
Physical

Circuits (maximum)	6
Color - Resin	Natural
Gender	Female
Glow-Wire Compliant	No
Material - Resin	Polyester
Number of Rows	2
Packaging Type	Bag
Panel Mount	No
Pitch - Mating Interface (in)	0.354 In
Pitch - Mating Interface (mm)	9.00 mm
Stackable	No
Temperature Range - Operating	-40°C to +80°C

Material Info

Reference - Drawing Numbers

Product Specification	PS-35270-001
Sales Drawing	SD-35270-0610



EU RoHS

**ELV and RoHS
Compliant**
REACH SVHC
 Not Reviewed
**Halogen-Free
Status**

China RoHS



**Need more information on product
environmental compliance?**

Email productcompliance@molex.com
 For a multiple part number RoHS Certificate of Compliance, [click here](#)

Please visit the [Contact Us](#) section for any non-product compliance questions.

Search Parts in this Series

[35270Series](#)

Mates With

[35272](#)

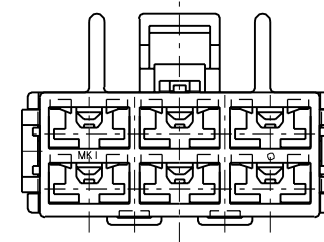
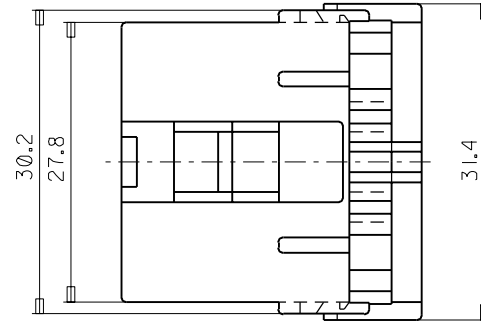
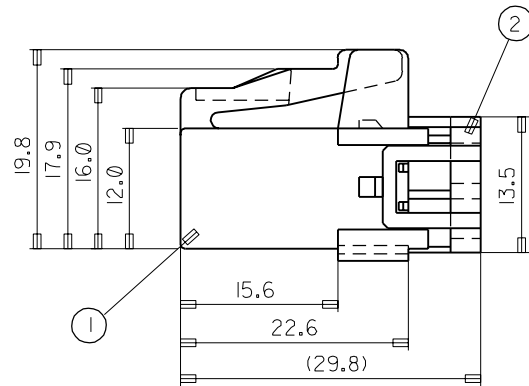
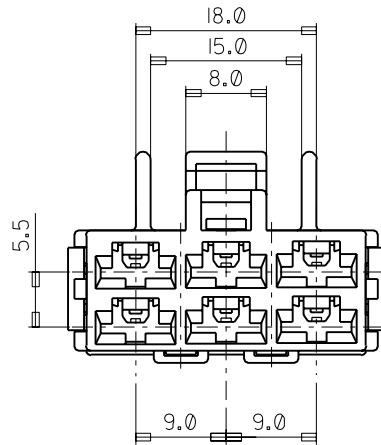
Use With

[35427](#) , [35430](#)

PLEASE CHECK WWW.MOLEX.COM FOR LATEST PART INFORMATION

PROJECT NO. SIMILAR ITEM EDP NO. ENG. NO. SD 35270-0610

8 7 6 5 4 3 2 1



	P/NO.	PART NAME	MATERIAL
①	35270-0690	POWERMATE FEMALE HS'G 6P	PBT
②	35271-0680	POWERMATE FEMALE TPA 6P	PBT

* APPLICABLE TERMINAL : 35427-97**,98**,99**
35430-1700,1800,1900

			MATERIAL SEE TABLE		MOLEX-KOREA CO.,LTD.	
			GENERAL TOLERANCE		DRAWN BY	
			DIMENSION : *0.20		961112 J.K.OH	
			ANGLE :		CHK'D BY	
			DIMENSION CLASSIFICATION		APP'D BY	
			▽ : CRITICAL ▼ : MAJOR		SCALE 2 : 1	
			() : REFERENCE		TITLE :	
A	NEW RELEASE	971114	ASS'Y PART		POWERMATE FEMALE ASSY	
LTR	REVISION RECORD	ECN DATE	DESCRIPTION ENG. NO.		-6P	
REVISE ONLY ON CAD SYSTEM					ENG. NO.	
					SD 35270-0610	
					SHEET	
					1/1	
					REV	
					A	