

PLEASE CHECK WWW.MOLEX.COM FOR LATEST PART INFORMATION

Part Number: [0942403818](#)
Status: **Active**
Description: 2.54mm (.100") Pitch, MOX Header, 3.50mm (.137") Grid, Through Hole, PBT, Vertical, 18 Circuit, Gray

Documents:

[3D Model](#) [Product Specification PS-94240-001 \(PDF\)](#)
[Drawing \(PDF\)](#) [RoHS Certificate of Compliance \(PDF\)](#)

General

Product Family	PCB Headers
Series	94240
Application	Wire-to-Board
Product Name	MOX

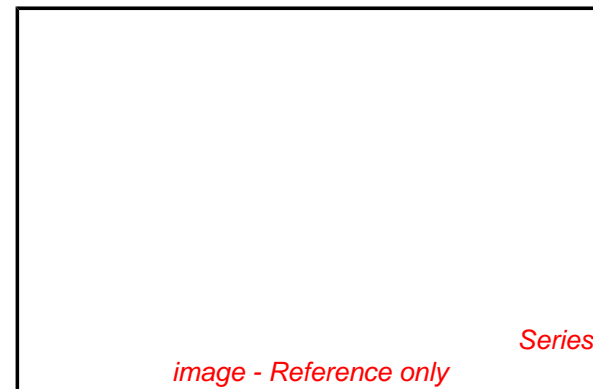
Physical

Breakaway	No
Circuits (Loaded)	18
Circuits (maximum)	18
Color - Resin	Natural
Durability (mating cycles max)	100
First Mate / Last Break	No
Glow-Wire Compliant	No
Lock to Mating Part	Yes
Material - Metal	Brass
Material - Plating Mating	Tin
Material - Plating Termination	Tin
Material - Resin	Polyester
Number of Rows	2
Orientation	Vertical
PC Tail Length (in)	0.130 In
PC Tail Length (mm)	3.30 mm
PCB Locator	Yes
PCB Retention	Yes
PCB Thickness Recommended (in)	0.062 In
PCB Thickness Recommended (mm)	1.60 mm
Packaging Type	Tray
Pitch - Mating Interface (in)	0.100 In
Pitch - Mating Interface (mm)	2.54 mm
Plating min: Mating (µin)	120
Plating min: Mating (µm)	3
Plating min: Termination (µin)	120
Plating min: Termination (µm)	3
Polarized to Mating Part	Yes
Polarized to PCB	Yes
Shrouded	Partial
Stackable	No
Surface Mount Compatible (SMC)	No
Temperature Range - Operating	-25°C to +105°C
Termination Interface: Style	Through Hole

Electrical

Current - Maximum per Contact	6A
Voltage - Maximum	125V

Solder Process Data



EU RoHS

**ELV and RoHS
Compliant**
REACH SVHC
 Not Reviewed
**Halogen-Free
Status**
Not Reviewed

China RoHS



**Need more information on product
environmental compliance?**

Email productcompliance@molex.com
 For a multiple part number RoHS Certificate of Compliance, [click here](#)

Please visit the [Contact Us](#) section for any non-product compliance questions.

Search Parts in this Series

[94240Series](#)

Mates With

[98695](#)

Duration at Max. Process Temperature (seconds)	10
Lead-free Process Capability	Wave Capable (TH only)
Max. Cycles at Max. Process Temperature	3
Process Temperature max. C	250

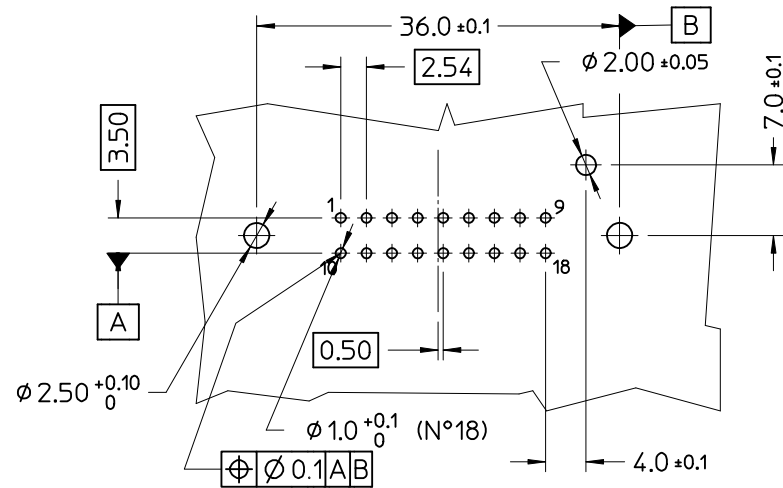
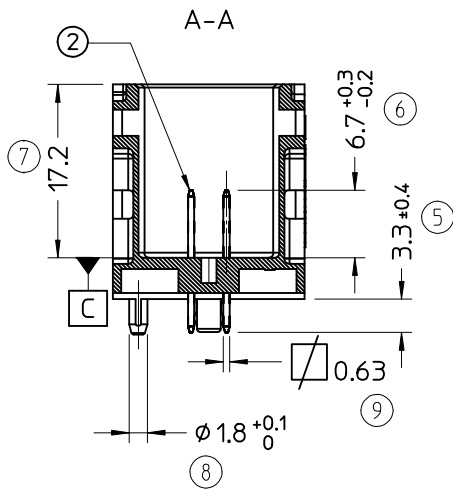
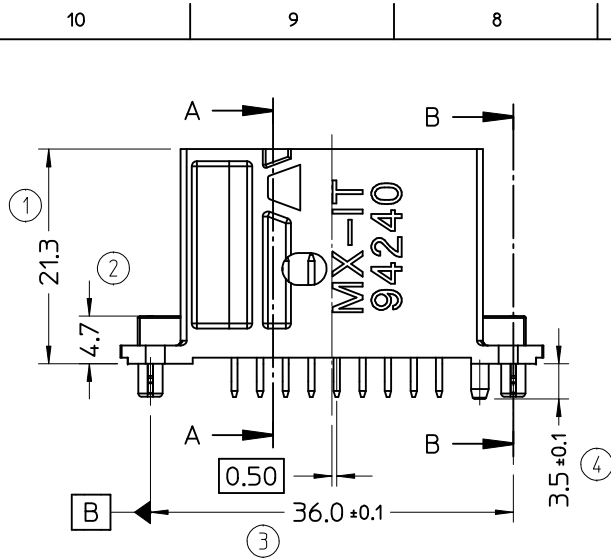
Material Info

Reference - Drawing Numbers

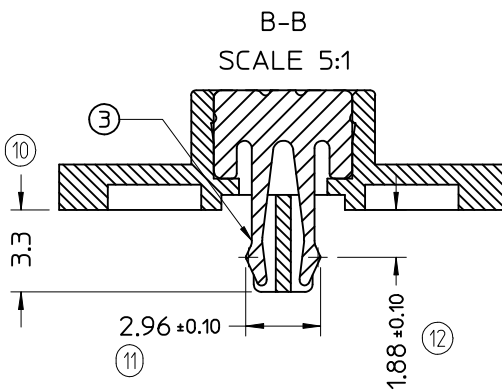
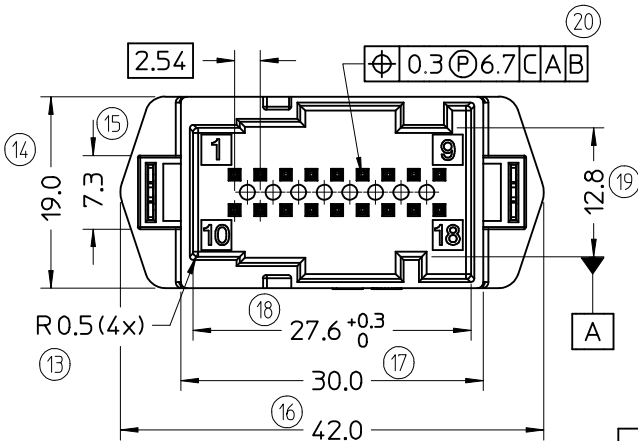
Product Specification	PS-94240-001
Sales Drawing	SD-94240-003

This document was generated on 04/22/2010

PLEASE CHECK WWW.MOLEX.COM FOR LATEST PART INFORMATION

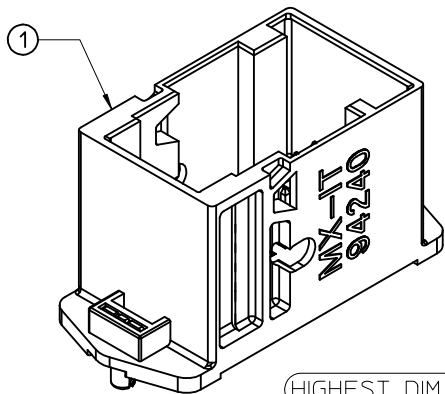


RECOMMENDED PCB LAYOUT (COMPONENT SIDE)
PCB THICKNESS 1.6 +/-0.15mm



- A) MATERIALS:
 1) HOUSING: SEE TABLE
 2) CONTACTS: BRASS, TIN OVER NICKEL PLATED
 3) BOARD LOCKS: COPPER ALLOY
- B) NOTES:
 - RET. FORCE OF BOARD LOCK SYSTEM ON PCB: 15 N MIN.
 - REF. DOCUMENT: PS-94240-001

P/N	PACKAGING	MATERIAL	S.P.Q.
94240-2818	IN TRAYS	PCT 20% FV GREY	15120
94240-3818	IN CARTON BOXES	PBT 20% FV GREY	



HIGHEST DIM. CONTROL No.: 20

Std.Descr.:*HEADER GREY THRU HOLE W/PEGS 18 CKT*

EC NO: Z2009-0059 DRWN: SBARBER 2009/04/21 CHKD: LSANTISSA 2009/04/21 APPR: FBISIELLO 2009/04/28	QUALITY SYMBOLS ▼ - 0 ∇ - 0	GENERAL TOLERANCES (UNLESS SPECIFIED)		SCALE 2:1	DESIGN UNITS METRIC	FIRST ANGLE PROJECTION	REVISE ON CAD ONLY	
		mm	INCH	DIMENSION STYLE MM ONLY		TITLE 18 CKT GREY HEADER WITH BOARD LOCKS		
		4 PLACES ± --- ± ---	3 PLACES ± --- ± ---	DRAWN BY FGOTTARD	DATE 2002/05/10	MOLEX INCORPORATED		
		2 PLACES ± 0.3 ± ---	1 PLACE ± 0.3 ± ---	CHECKED BY MTESTAGU	DATE 2002/05/10	MATERIAL NO. see table	DOCUMENT NO. SD-94240-003	SHEET NO. 1 OF 1
DRAFT WHERE APPLICABLE		ANGULAR ± 2 °		APPROVED BY GZUIN	DATE 2002/05/10	THIS DRAWING CONTAINS INFORMATION THAT IS PROPRIETARY TO MOLEX INCORPORATED AND SHOULD NOT BE USED WITHOUT WRITTEN PERMISSION		
MUST REMAIN WITHIN DIMENSIONS				A3				