

582-580 TO 682



1/4" JACK PLUG IDENTIFICATION RINGS

Sheet No. **PS 0799**

Date : 26.05.95

Issue No. 1

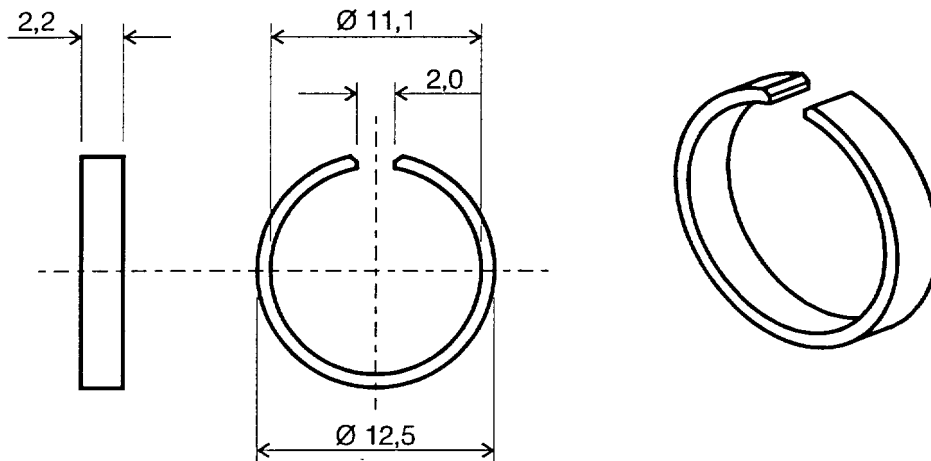
Sheet 1 of 1

Signature

Deltron Part No. **328 SERIES**

PRODUCT SPECIFICATION

Dimensions



DIMENSIONS IN MILLIMETRES

Description

A unique colour coded tab system which is easy to fit (or remove), remaining firmly in place, providing a durable, bright identification coding for Deltron 1/4" jack plugs. Ten colours are available, with two rings used per plug, giving up to 100 possible coding combinations. Supplied in separate colours in a polythene bag.

Material : ACETAL C 27021

Features

Pack of 25 rings (one colour) supplied in a polythene bag.

CODE	COLOUR
328-0000	BLACK
328-0100	BROWN
328-0200	RED
328-0300	ORANGE
328-0400	YELLOW
328-0500	GREEN
328-0600	BLUE
328-0700	VIOLET
328-0800	GREY
328-0900	WHITE