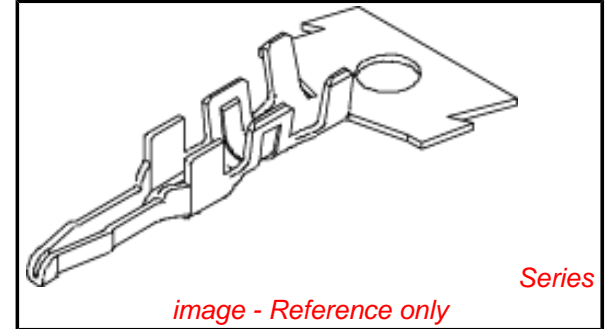


**PLEASE CHECK WWW.MOLEX.COM FOR LATEST PART INFORMATION**

**Part Number:** [0350479810](#)  
**Status:** **Active**  
**Description:** 2.50mm (.098") Pitch Board-In Terminal, Post-Plated  
**Replacement Part Number:** 350479860

**Documents:**

[Drawing \(PDF\)](#) [RoHS Certificate of Compliance \(PDF\)](#)  
[Product Specification PS-35047-002 \(PDF\)](#)



**General**

Product Family	Crimp Terminals
Series	<a href="#">35047</a>
Crimp Quality Equipment	Yes
Product Name	Board-In
Replacement Part Number	350479860

**Physical**

Gender	Male
Material - Metal	Brass
Material - Plating Mating	Tin
Material - Plating Termination	Tin
Packaging Type	Reel
Plating min: Mating (µin)	32.00
Plating min: Mating (µm)	0.800
Plating min: Termination (µin)	32.00
Plating min: Termination (µm)	0.80
Termination Interface: Style	Crimp or Compression
Wire Insulation Diameter	1.90mm (.075") max.
Wire Size AWG	22, 24, 26, 28
Wire Size mm <sup>2</sup>	N/A

**Material Info**

**Reference - Drawing Numbers**

Product Specification	PS-35047-002
Sales Drawing	SD-35047-001

**EU RoHS**

**ELV and RoHS  
Compliant**  
**REACH SVHC  
Contains SVHC: No**  
**Halogen-Free  
Status**  
**Halogen-Free**

**China RoHS**



**Need more information on product  
environmental compliance?**

Email [productcompliance@molex.com](mailto:productcompliance@molex.com)  
 For a multiple part number RoHS Certificate of Compliance, [click here](#)

Please visit the [Contact Us](#) section for any non-product compliance questions.

**Search Parts in this Series**

[35047Series](#)

**Use With**

[35164](#)

DWG. IO.  
SD-35047-001

SIMILAR ITEM

PROJECT NO.

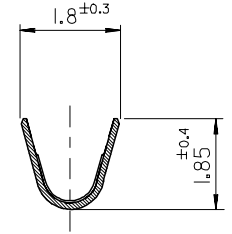
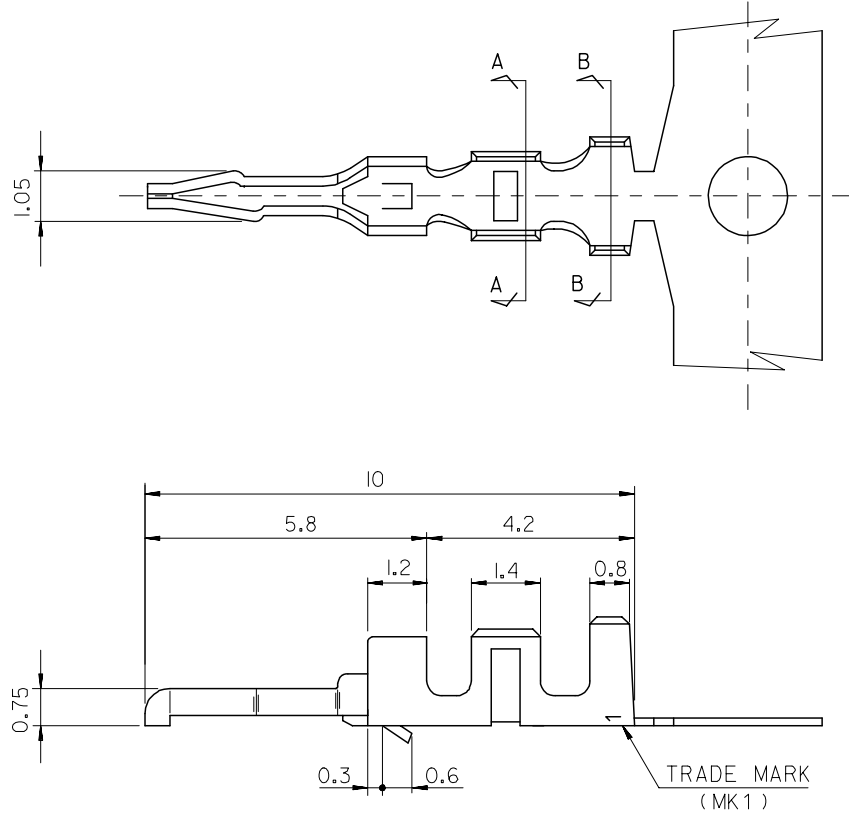
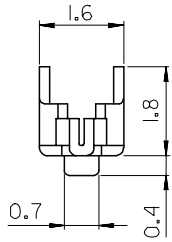
C

B

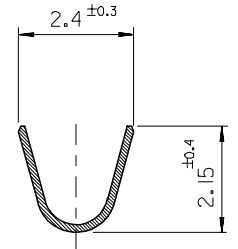
DO NOT SCALE DRAWING  
DIMENSION IN METRIC

- NOTE
- MATERIAL : BRASS
  - FINISHES
    - PRE-PLATING:TIN(Sn) 0.9µM MIN OVER Cu 0.5 µM MIN.
    - POST PLATING:TIN 1±3µM MIN OVER NI 1±3µM.
  - P.C BOARD HOLE :  $\varnothing 1.0^{+0.05}$
  - P.C BOARD THICKNESS : 1.6
  - USED WITH HOUSING:35164-\*\*\*0\*
  - PRODUCT SPECIFICATION : PS-35047-002

LEAD FREE



SECT. A-A



SECT. B-B

PRE-PLATING	350479802	35047-9802
POST-PLATING	350479810	35047-9810
PLATING	MAT'L NO.	ENG NO.

REVISED EC NO. KOR2005-0197 DRWN: D.Y. JANG (05/05/02) CHK: Y.SIK-KIM APPR: C.W.LEE	DESCRIPTION REV	QUALITY SYMBOLS MAJOR = CRITICAL =	GENERAL TOLERANCES: (UNLESS SPECIFIED)		SCALE 10/1	DESIGN UNITS <input checked="" type="checkbox"/> MM <input type="checkbox"/> INCH	THIRD ANGLE PROJECTION	DIMENSIONS: <input type="checkbox"/> MM <input type="checkbox"/> INCH <input type="checkbox"/> MM <input checked="" type="checkbox"/> ONLY	SHT	REV	
		4 PLACES ±0. ±.	3 PLACES ±0. ±.	2 PLACES ±0.3 ±.	1 PLACE ±0.3 ±.	ANGULAR: ± 2°	DRAWN BY & DATE D.J.KIM 93/12/6	CHECKED BY & DATE J.K.OH	APPROVED BY & DATE C.W.LEE	CAD FILENAME SD35047.DGN	MATERIAL NO. SEE TABLE
DRAFT WHERE APPLICABLE MUST REMAIN WITHIN DIMENSIONS			THIS DRAWING CONTAINS INFORMATION THAT IS PROPRIETARY TO MOLEX INCORPORATED AND SHOULD NOT BE USED WITHOUT WRITTEN PERMISSION.								

TITLE:  
2.5 BOARD IN CONN.  
TERMINAL -LEAD FREE-  
**MOLEX INCORPORATED KOREA**