

PLEASE CHECK WWW.MOLEX.COM FOR LATEST PART INFORMATION

Part Number: **0681470215**
Status: **Active**
Description: License Plate Lamp

Documents:

[3D Model](#) [Product Specification PS-68147-001 \(PDF\)](#)
[Drawing \(PDF\)](#) [RoHS Certificate of Compliance \(PDF\)](#)

General

Product Family	Other Sockets
Series	68147
Component Type	Socket
Product Name	Bulb Socket

Physical

Circuits (Loaded)	2
Circuits (maximum)	2
Color - Resin	Gray
Durability (mating cycles max)	30
Entry Angle	Vertical
Keying to Mating Part	N/A
Material - Metal	Brass
Material - Plating Mating	Tin
Material - Plating Termination	Tin
Material - Resin	Nylon
PCB Locator	No
PCB Retention	N/A
Packaging Type	Bag
Pitch - Mating Interface (in)	0.000 In
Pitch - Mating Interface (mm)	0.00 mm
Pitch - Term. Interface (in)	0.000 In
Pitch - Term. Interface (mm)	0.00 mm
Temperature Range - Operating	-40°C to +105°C
Termination Interface: Style	Surface Mount

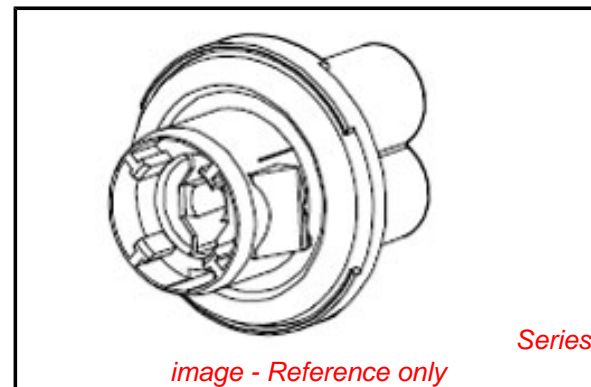
Electrical

Current - Maximum per Contact	16A
Voltage - Maximum	125V

Material Info

Reference - Drawing Numbers

Product Specification	PS-68147-001
Sales Drawing	SD-68147-002



EU RoHS

**ELV and RoHS
Compliant**
REACH SVHC
Not Reviewed
**Halogen-Free
Status**

China RoHS



**Need more information on product
environmental compliance?**

Email productcompliance@molex.com
For a multiple part number RoHS Certificate of
Compliance, [click here](#)

Please visit the [Contact Us](#) section for any
non-product compliance questions.

Search Parts in this Series

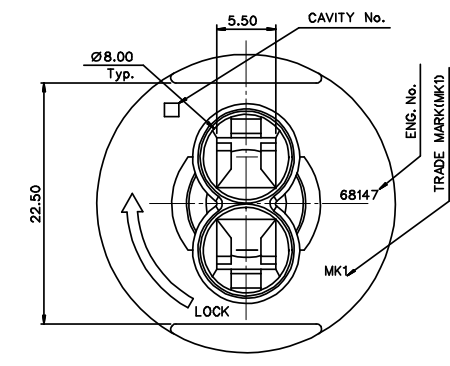
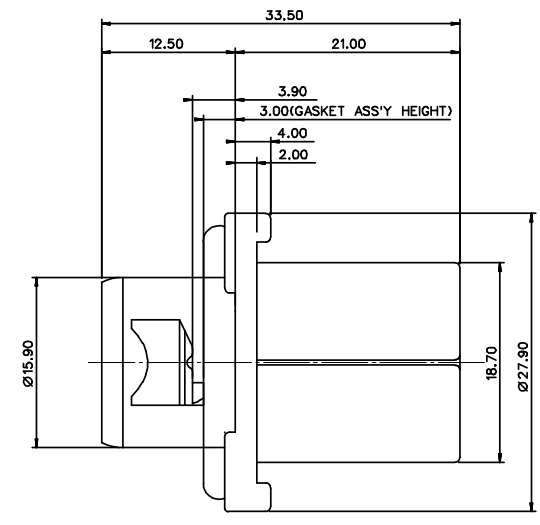
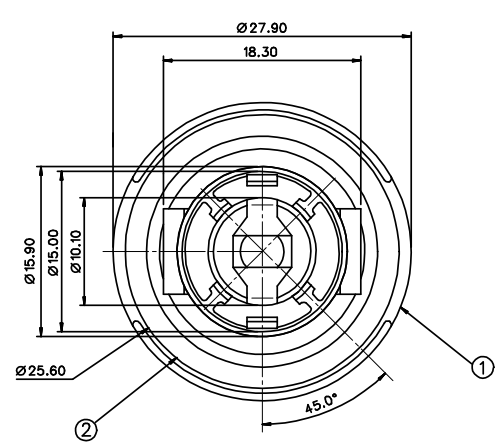
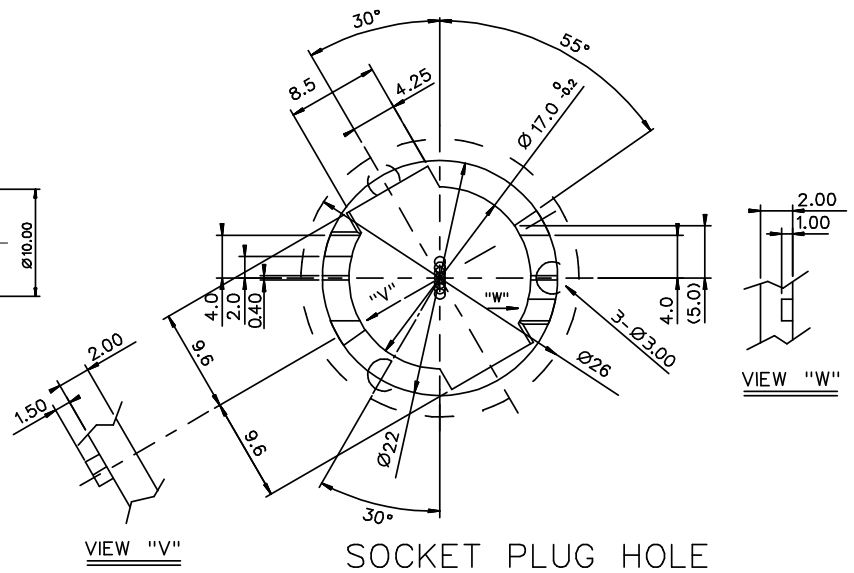
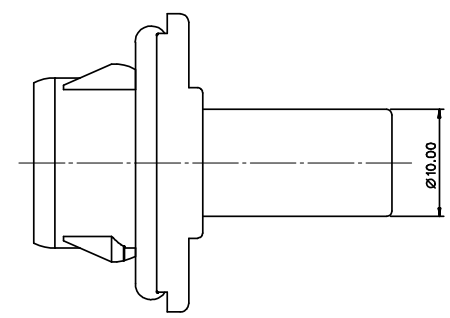
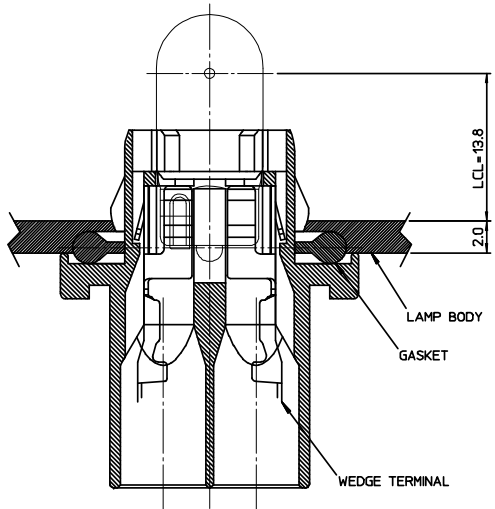
68147Series

Mates With

Wedge Base Bulb

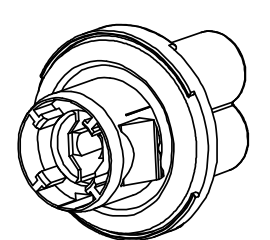
Use With

35477 14.50mm (0.57") Wedge Terminal



- NOTES
- MATERIAL : POLYAMIDE(PA66), 40% MINERAL FILLED, UL94HB, COLOR:GRAY
 - PRODUCT SPECIFICATION: PS-68147-001
 - APPLICABLE TERMINAL: 35477-9002
 - APPLICABLE WEDGE BASE BULB: W2.1X9.5d(5W)
 - LIGHT CENTER LENGTH: 13.8mm

NO.	PART NAME	PART NO.	MATERIAL	Q'TY
1	BULB SOCKET-2P	68147-0295	PA66	1
2	GASKET	35903-0099	NBR	1



ISOMETRIC VIEW

NO.	MATERIAL NO.	ENG. NO.
1	681470215	68147-0215

CHANGED OF MATERIAL
 EC NO: KOR2008-0190
 DRWNEOKIM 2008/05/27
 CHYKDBCYOON 2008/05/27
 APPR:YUNSIKKIM 2008/05/27

QUALITY SYMBOLS	GENERAL TOLERANCES (UNLESS SPECIFIED)	
	mm	INCH
▽=0	4 PLACES ± --- ± ---	
▽=0	3 PLACES ± --- ± ---	
	2 PLACES ± 0.2 ± ---	
	1 PLACE ± 0.2 ± ---	
	ANGULAR ± 1°	

DIMENSION STYLE		SCALE	DESIGN UNITS	THIRD ANGLE PROJECTION
MM ONLY		4:1	METRIC	
DRAWN BY	DATE	TITLE		
HJKIM	1999/01/29	SEALED BULB SOCKET ASS'Y 2P (WEDGE TYPE)		
CHECKED BY	DATE	MATERIAL NO.		
BKCHOI	1999/01/29	681470215		
APPROVED BY	DATE	DOCUMENT NO.		
CWLEE	1999/01/29	SD-68147-002		

MOLEX INCORPORATED
 SHEET NO. 1 OF 1
 THIS DRAWING CONTAINS INFORMATION THAT IS PROPRIETARY TO MOLEX INCORPORATED AND SHOULD NOT BE USED WITHOUT WRITTEN PERMISSION