

PLEASE CHECK WWW.MOLEX.COM FOR LATEST PART INFORMATION

Part Number: [0740413001](#)
Status: **Active**
Overview: [vhdm_h](#)
Description: 2.00mm (.079") Pitch VHDM® Board-to-Board Daughter card Receptacle, Right Angle, 8 Circuits, 8-Row, Lead Free

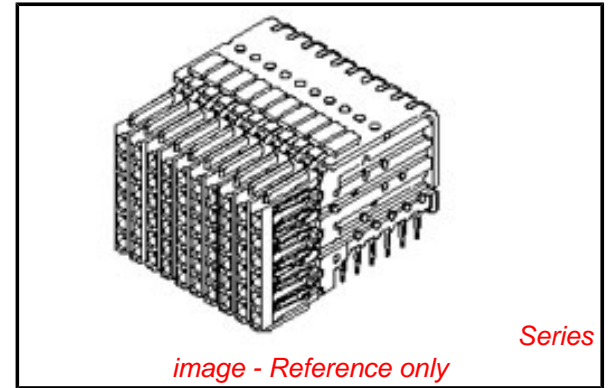
Documents:

[Drawing \(PDF\)](#) [RoHS Certificate of Compliance \(PDF\)](#)

General

Product Family	Backplane Connectors
Series	74041
Application	Daughtercard
Component Type	PCB Receptacle
Overview	vhdm_h
Product Name	VHDM® - H Series
Style	N/A
Physical	
Circuits (Loaded)	8
Circuits (maximum)	8
Color - Resin	Black
Durability (mating cycles max)	200
First Mate / Last Break	No
Guide to Mating Part	No
Keying to Mating Part	None
Material - Metal	Copper Alloy
Material - Plating Mating	Gold
Material - Plating Termination	Tin
Material - Resin	High Temperature Thermoplastic
Number of Columns	1
Number of Pairs	Open Pin Field
Number of Rows	8
Orientation	Right Angle
PC Tail Length (in)	0.072 In
PC Tail Length (mm)	1.83 mm
PCB Locator	No
PCB Retention	None
PCB Thickness Recommended (in)	0.062 In
PCB Thickness Recommended (mm)	1.57 mm
Packaging Type	Tube
Pitch - Mating Interface (in)	0.079 In
Pitch - Mating Interface (mm)	2.00 mm
Pitch - Term. Interface (in)	0.089 In
Pitch - Term. Interface (mm)	2.25 mm
Plating min: Mating (µin)	30
Plating min: Mating (µm)	0.75
Plating min: Termination (µin)	30
Plating min: Termination (µm)	0.75
Polarized to PCB	Yes
Stackable	Yes
Surface Mount Compatible (SMC)	Yes
Temperature Range - Operating	-55°C to +85°C
Termination Interface: Style	Through Hole - Compliant Pin

Electrical



EU RoHS

**ELV and RoHS
Compliant**
**REACH SVHC
Contains SVHC: No**
**Halogen-Free
Status**

China RoHS



**Need more information on product
environmental compliance?**

Email productcompliance@molex.com
 For a multiple part number RoHS Certificate of
 Compliance, [click here](#)

Please visit the [Contact Us](#) section for any
 non-product compliance questions.

Search Parts in this Series
[74041Series](#)

Current - Maximum per Contact	1A
Data Rate	6.25 Gbps
Real Signals (per 25mm)	75
Voltage - Maximum	120V AC (RMS)/DC

Material Info

Reference - Drawing Numbers

Sales Drawing	SD-74041-005
---------------	--------------

VHDM and Very High Density Metric are trademarks of Amphenol Corporation

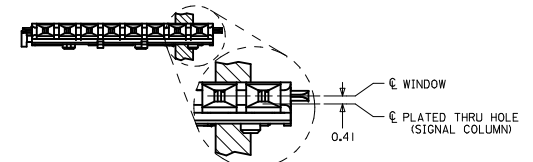
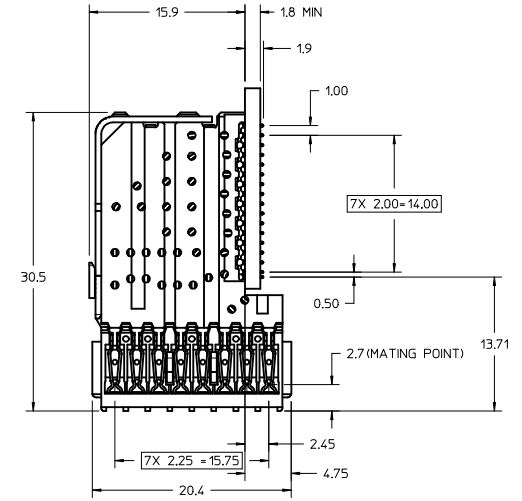
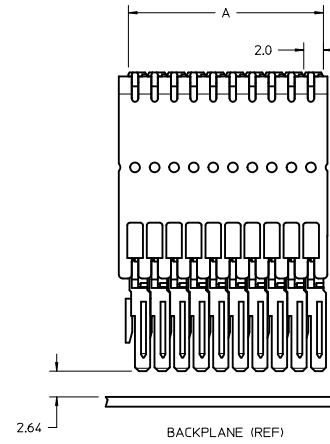
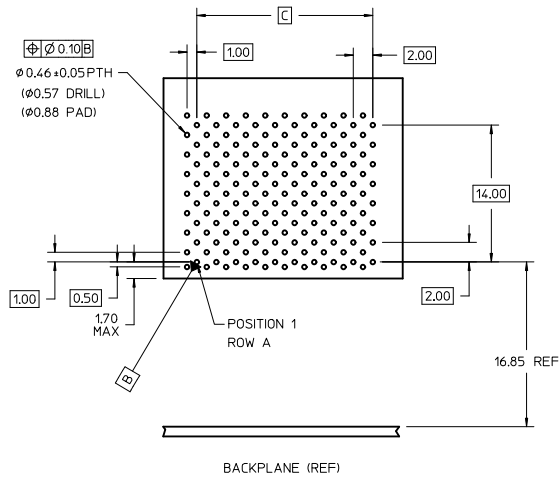
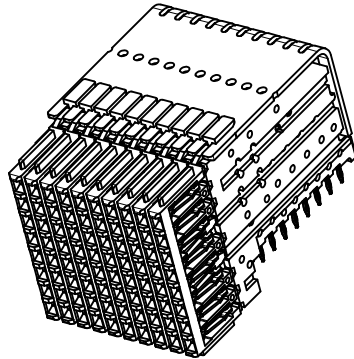
This document was generated on 05/19/2010

PLEASE CHECK WWW.MOLEX.COM FOR LATEST PART INFORMATION

NOTES:

1. MATERIALS: HOUSING - LCP, GLASS FILLED, UL94V-0.
TERMINALS - HIGH PERFORMANCE COPPER ALLOY.
2. FINISH: SELECTIVE GOLD IN CONTACT AREA
SELECTIVE TIN/LEAD OR MATTE TIN ON PCB TAILS
NICKEL OVERALL.
3. REFER TO MOLEX PRODUCT SPECIFICATION PS-74031-999 FOR PERFORMANCE SPECIFICATIONS.
4. SIGNAL WAFERS SUPPLIED ON STAINLESS STEEL STIFFENER ON CUSTOM DC LAYOUTS ONLY.

WAFER NUMBER	CONTACT PLATING DESCRIPTION	WAFER PLASTIC COLOR	TAIL PLATING DESCRIPTION
74041-2001	30uIN GOLD	BLACK	TIN/LEAD
74041-2051	50uIN GOLD W/LUBE	GRAY	TIN/LEAD
74041-3001	30uIN GOLD	BLACK	MATTE TIN



NUMBER OF SIGNAL WAFERS	A	C
10	20.0	18.00
25	50.0	48.00

INITIAL RELEASE EC NO: UCP2010-1510 DRAWN BY: J JONIAK CHKD BY: J INGHAM APPR: SMILLER 2010/03/05 2010/03/09 2010/03/09	QUALITY SYMBOLS	GENERAL TOLERANCES (UNLESS SPECIFIED)	DIMENSION STYLE	SCALE	DESIGN UNITS	THIRD ANGLE PROJECTION	
	∇=0 ∇=0 ∇=0	mm INCH	4 PLACES ± --- ± --- 3 PLACES ± --- ± --- 2 PLACES ± 0.25 ± --- 1 PLACE ± 0.38 ± --- ANGULAR ± 1/2°	MM ONLY	4:1	METRIC	TITLE: VHDH-H 8R DAUGHTERCARD SIGNAL WAFER SALES DRAWING MOLEX MOLEX INCORPORATED MATERIAL NO. SD-74041-005 DOCUMENT NO. 1 OF 1
	DRAFT WHERE APPLICABLE MUST REMAIN WITHIN DIMENSIONS	SEE TABLE	THIS DRAWING CONTAINS INFORMATION THAT IS PROPRIETARY TO MOLEX INCORPORATED AND SHOULD NOT BE USED WITHOUT WRITTEN PERMISSION				
	REV	DESCRIPTION	DATE	BY	DATE	BY	DATE