



Lucent Technologies Host-Based Controller PC Card Modem (PCMCIA)

INTRODUCTION

Joining the family of host-based controller modems is the PCMCIA full data/FAX/TAM modem chip set. Maintaining the high level of integration and extensive feature set of the Apollo modem DSP, this three-chip solution includes the CSP1034AH codec and PID, the PCMCIA interface.

These modems are ideal for serious Internet surfing since users can capitalize on the increased speed for downloading multimedia web pages with audio, video, and other large files. To further reduce overall system costs, this chip does not require the associated memory that is needed for controller-based modems.

The chip set will work with *Windows*¹ 95, 98, 2000 and *Windows NT*¹ 4.0 operating systems. The ITU-T V.90 and K56flex enable PC users to achieve Internet connection rates up to 56 kbits/s and backward compatibility with existing V.34 modems.

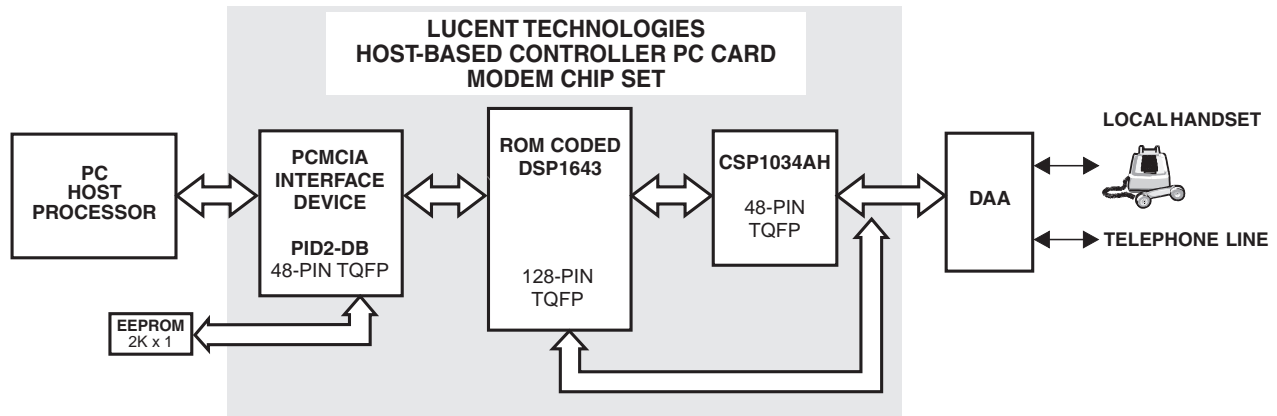
PC Card Chip Set

Part No.	Packaging
DSP1643	128-pin TQFP
CSP1034AH	48-pin TQFP
PID2 PCMCIA Interface Device	48-pin TQFP

FEATURES

- K56flex and V.90 ITU-T for seriously fast Internet surfing
- Integrated Plug and Play functionality
- Data mode capabilities:
 - Ultrahigh compression throughout
 - ITU-T V.34 extended rates: 33,600 bits/s—2,400 bits/s
 - V.32terbo, V.32bis, and fallbacks
 - TIA/EIA² 602 standard for AT command set
 - V.42 error correction (LAPM and MNP³)
 - V.42bis and MNP Class 5 data compression
- FAX mode capabilities:
 - ITU-T V.17, V.29, V.27ter, and V.21 Ch2
 - TIA/EIA 578 Class 1 FAX
- High-precision, sigma-delta codec CSP1034AH
- Extensive bit I/Os for homologation
- Internal PLL for low-speed crystal support
- Operating systems support:
 - *Windows* 95, 98, and 2000
 - *Windows NT* 4.0
- 5 V chip set

1. *Windows* and *Windows NT* are registered trademarks of Microsoft Corporation.
 2. *EIA* is a registered trademark of Electronic Industries Association.
 3. *MNP* is a registered trademark of Microcom, Inc.



For additional information, contact your Microelectronics Group Account Manager or the following

INTERNET: <http://www.lucent.com/micro>

E-MAIL: docmaster@micro.lucent.com

N. AMERICA: Microelectronics, Lucent Technologies Inc., 555 Union Boulevard, Room 30L-15P-BA, Allentown, PA 18103

1-800-372-2447, FAX 610-712-4106 (In Canada: 1-800-553-2448, FAX 610-712-4106)

ASIA PACIFIC: Microelectronics Asia/Pacific, Lucent Technologies Inc., 77 Science Park Drive, #03-18 Cintech III, Singapore 118256

Tel. (65) 778-8833, FAX (65) 777-7495

CHINA: Microelectronics Group, Lucent Technologies (China) Co., Ltd., A-F2, 23/F, Zao Fong Universe Building, 1800 Zhong Shan Xi Road,

Shanghai 200233 P. R. China Tel. (86) 21 6440 0468, ext. 316, FAX (86) 21 6440 0652

JAPAN: Microelectronics, Lucent Technologies Japan Ltd., 7-18, Higashi-Gotanda 2-chome, Shinagawa-ku, Tokyo 141, Japan

Tel. (81) 3-5421-1600, FAX (81) 3-5421-1700

EUROPE: For data requests: Microelectronics Group Dataline: Tel. (44) 7000 582 368, FAX (44) 1189 328 148

For technical inquiries: GERMANY: (49) 89 95086 0 (Munich), UNITED KINGDOM: (44) 1344 865 900 (Ascot),

FRANCE: (33) 1 40 83 68 00 (Paris), SWEDEN: (46) 8 594 607 00 (Stockholm), FINLAND: (358) 9 4354 2800 (Helsinki),

ITALY: (39) 02 6608131 (Milan), SPAIN: (34) 1 807 1441 (Madrid)

Lucent Technologies Inc. reserves the right to make changes to the product(s) or information contained herein without notice. No liability is assumed as a result of their use or application. No rights under any patent accompany the sale of any such product(s) or information.

Copyright © 1999 Lucent Technologies Inc.
All Rights Reserved
Printed in U.S.A.

November 1999
OT00-115DMOD



microelectronics group

Lucent Technologies
Bell Labs Innovations

