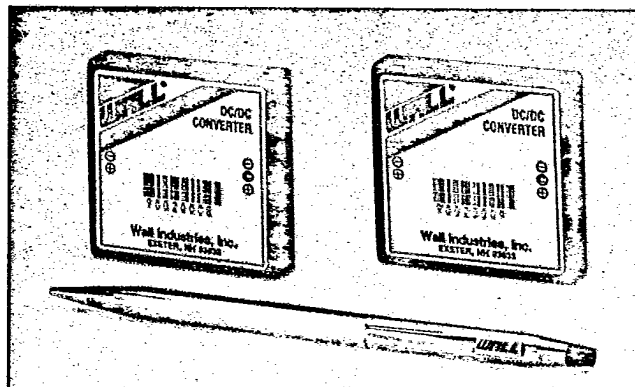


LW Series

15 Watts

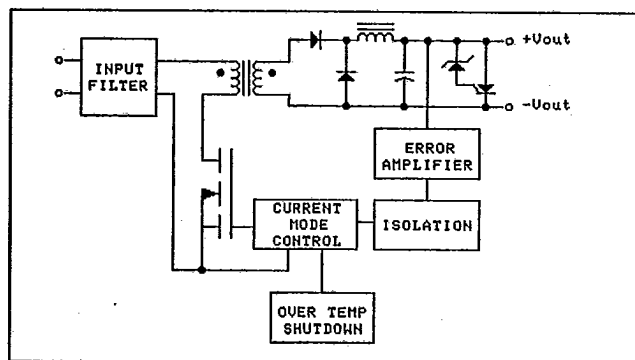
FEATURES

- Ultra Wide Input (4:1)
- 9.8 Watts per Cubic Inch
- Pi-Input Filter
- 500 VDC Minimum Input/Output Isolation
- Regulated Output
- Thermal Shutdown, 100°C 'Typical'



The LW Series from Wall Industries

The LW Series is a family of ultra wide input voltage range (4:1), highly efficient, 15 watt DC/DC converters. Features include a pi-input filter to reduce input reflected ripple, continuous short circuit protection with over-temperature shutdown and 500 VDC (minimum) input/output isolation. The LW Series is ideally suited for any telecommunications, automotive test equipment, process control, minicomputers, or geosurvey equipment applications demanding variable input voltage ranges and high reliability.



Single Simplified Schematic (Dual Similar)

SPECIFICATIONS

All specifications apply @ + 25°C ambient unless otherwise noted.

INPUT SPECIFICATIONS

Input Voltage Range 9-36 VDC, 20-72 VDC
 Nominal Input 24 VDC, 48 VDC
 Input Filter PI-Input Filter

OUTPUT SPECIFICATIONS

Output Current see table
 Voltage Tolerance ± 1% Singles, ± 3% Duals
 Thermal Shutdown approx. +100°C (case)
 Line Regulation 0.5%
 Load Regulation 0.5%
 Short Circuit Protection current limiting, thermal shutdown
 Over Voltage Protection see table
 Ripple/Noise ≤ 50mV (P-P)

GENERAL SPECIFICATIONS

Efficiency83% 'typical'
 Isolation Voltage, input to output 500 VDC (min)
 Isolation Resistance, input to output 1000 MΩ
 Switching Frequency 200KHz 'typical'

ENVIRONMENTAL SPECIFICATIONS

Operating Temperature ... -25°C to +85°C (case temperature)
 Storage Temperature -55°C to +100°C
 Humidity 20% - 95% R.H. (non-condensing)

PHYSICAL SPECIFICATIONS

Shielding shielded case
 Weight 2.3 oz.
 Case Material Black coated metal, non-conductive base plate
 Specifications subject to change without notice.

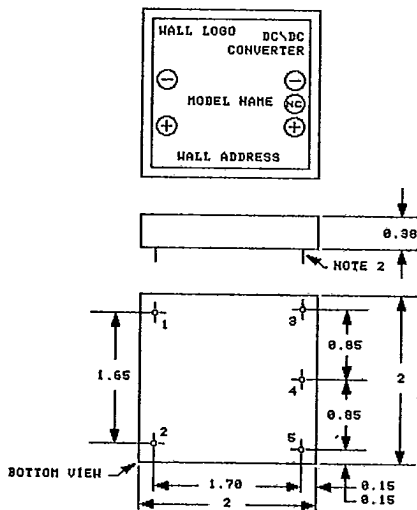




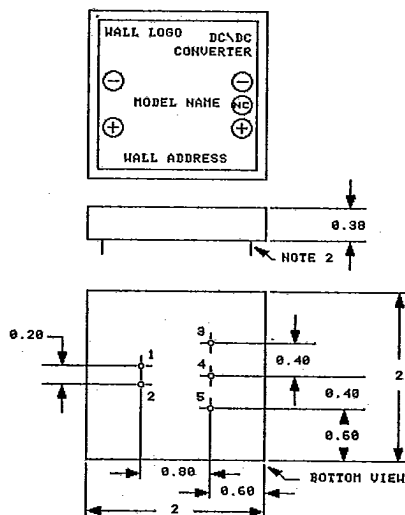
SINGLE/DUAL OUTPUT **LW Series**

INPUT VOLTAGE RANGE (VDC)	OUTPUT VOLTAGE (VDC)	OUTPUT CURRENT (Amps)	OVER VOLTAGE PROTECTION (VDC)	CENTER PINOUT MODEL NUMBER	STANDARD MODEL NUMBER
9-36 ↓	5	3.0	6.8	LCSW245-15	LSW245-15
	12	1.25	15	LCSW2412-15	LSW2412-15
	15	1.0	18	LCSW2415-15	LSW2415-15
	± 12	0.625	15	LCDW2412-15	LDW2412-15
	± 15	0.5	18	LCDW2415-15	LDW2415-15
20-72 ↓	5	3.0	6.8	LCSW485-15	LSW485-15
	12	1.25	15	LCSW4812-15	LSW4812-15
	15	1.0	18	LCSW4815-15	LSW4815-15
	± 12	0.625	15	LCDW4812-15	LDW4812-15
	± 15	0.5	18	LCDW4815-15	LDW4815-15

LW Standard Pinout



LW Center Pinout



Pin Functions

- 1 + IN
- 2 - IN
- 3 + OUT
- 4 Common (duals)
- 5 - OUT

Notes

- 1: Five pins, 0.04 diameter x 0.20 maximum.
- 2: On single output models pin 4 is omitted.



LW-1190-5