



TS2043

Preliminary

CMOS IC

TOUCH PANEL CONTROLLER

DESCRIPTION

The UTC **TS2043** is a highly integrated 12-bit SAR analog-to-digital (A/D) converter designed for touch panel controllers. It features serial interface and low on-resistance drivers for 4-wire resistive touch panels. The UTC **TS2043** contains all the analog and digital circuitry needed to complete a pen request.

The UTC **TS2043** features a low-power dissipation consumes only 800uW under a 125KHz sample rate and in a 2.7V supply condition, it consumes only 2.7uW at shutdown mode. The supply voltage is from 2.7V to 5.5V under normal operation.

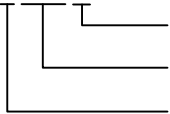
The UTC **TS2043** can be used in applications such as touch panels, personal digital Assistants (PDAs), smart phones, point-to-sales terminals, high speed data acquisition, portable instruments, and low power instruments.

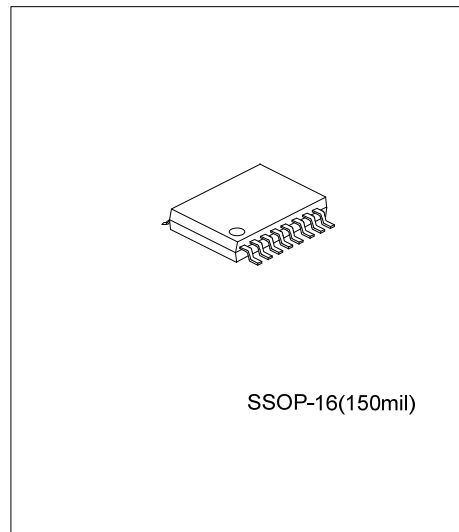
FEATURES

- * Power Supply Voltage: 2.7V ~ 5.5V
- * Serial Interface
- * 4-Wire Touch Panel Interface
- * Embedded Touch Panel Drivers
- * 12-Bit AD Converter
- * Programmable 8 or 12 Bit Resolution
- * Conversion Rate: 125 KHz
- * 2 Auxiliary Analog Inputs
- * Full Power Down Control

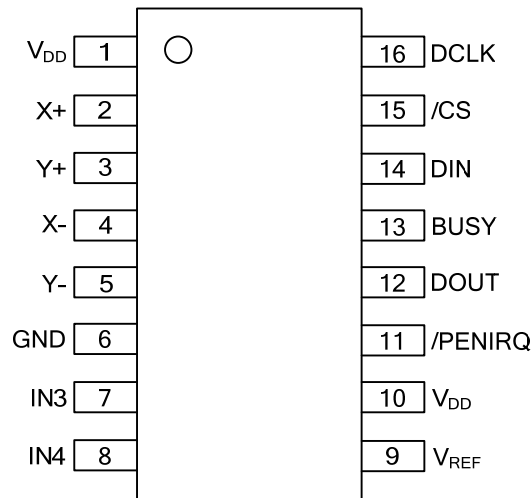
ORDERING INFORMATION

Halogen Free	Package	Packing
TS2043G-R16-R	SSOP-16	Tape Reel

<p>AR7643G-R16-R</p>  <ul style="list-style-type: none"> (1)Packing Type (2)Package Type (3)Halogen Free 	<ul style="list-style-type: none"> (1) R: Tape Reel (2) R16: SSOP-16 (3) G: Halogen Free
--	---



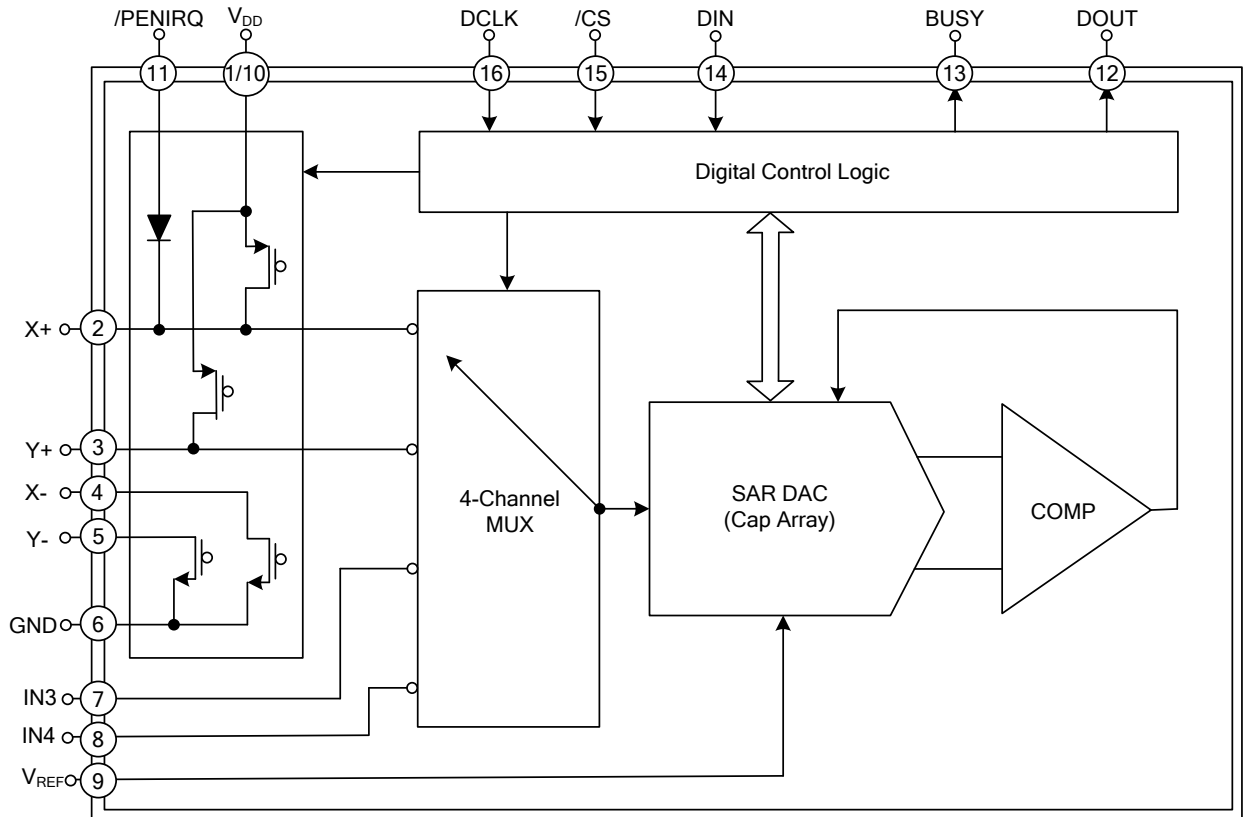
■ PIN CONFIGURATION



■ PIN DESCRIPTION

PIN NO.	PIN NAME	DESCRIPTION
1	V _{DD}	Power Supply, 2.7V ~ 5.5V
2	X+	X+ Input; ADC Input Channel 1.
3	Y+	Y+ Input; ADC Input Channel 2.
4	X-	X- Input.
5	Y-	Y- Input.
6	GND	Ground.
7	IN3	Auxiliary Input 1; ADC Input Channel 3.
8	IN4	Auxiliary Input 2; ADC Input Channel 4.
9	V _{REF}	Reference Voltage Input.
10	V _{DD}	Power Supply, 2.7V ~ 5.5V
11	/PENIRQ	Pen Interrupt. Requires 10KΩ ~ 100KΩ external pull-up resistor.
12	DOUT	Serial Data Output. This output pin is high impedance when /CS is high.
13	BUSY	Busy Output. This output pin is high impedance when /CS is high.
14	DIN	Serial Data Input.
15	/CS	Chip Select Input. This input is active low.
16	DCLK	External Clock Input.

■ BLOCK DIAGRAM



■ ABSOLUTE MAXIMUM RATING

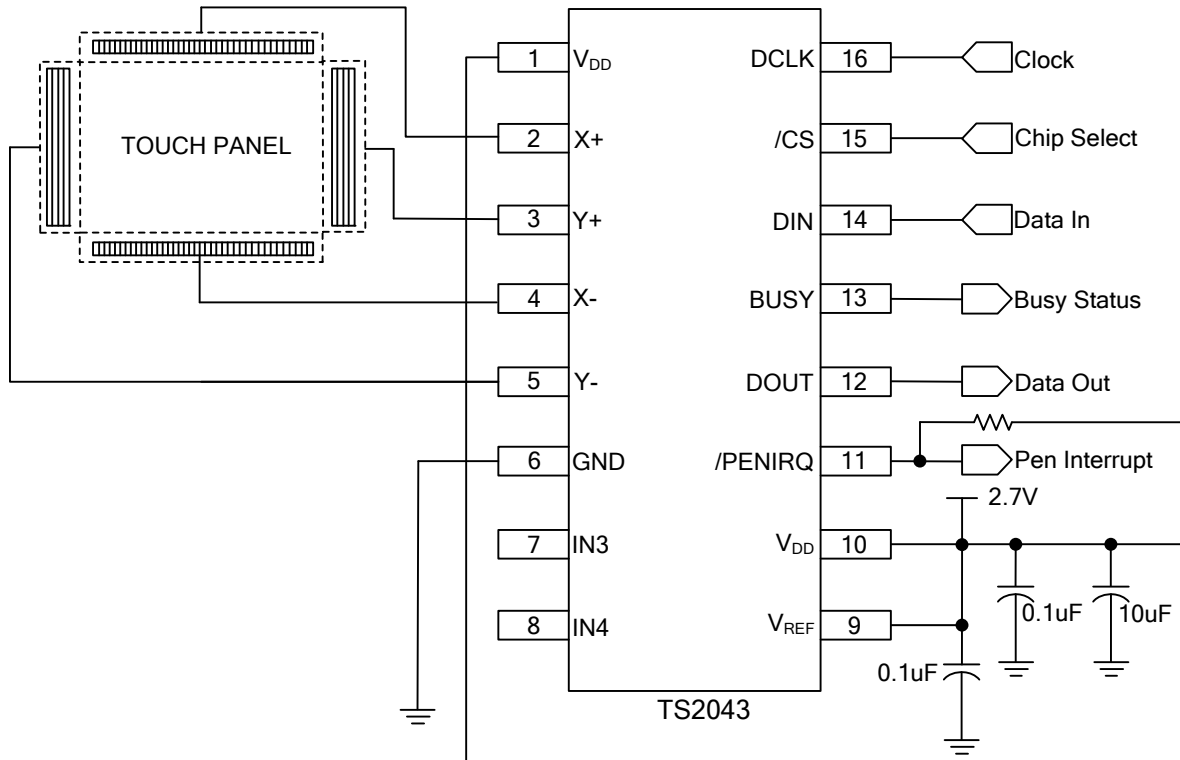
PARAMETER	SYMBOL	RATINGS	UNIT
V _{DD} to GND		-0.3 ~ +6	V
Analog Input to GND		-0.3 ~ V _{DD} +0.3	V
Digital Input to GND		-0.3 ~ V _{DD} +0.3	V
Junction Temperature	T _J	+150	°C
Operating Temperature Range	T _{OPR}	-40 ~ +85	°C
Storage Temperature Range	T _{STG}	-60 ~ +150	°C

Note: Absolute maximum ratings are those values beyond which the device could be permanently damaged. Absolute maximum ratings are stress ratings only and functional device operation is not implied.

■ ELECTRICAL CHARACTERISTICS (T_A=-40°C to 85°C, V_{DD}=+2.7V, V_{REF}=+2.7V, f_{sample}=125KHz, f_{CLK}=24*f_{SAMPLE}, 12-bit mode, Digital inputs=GND or V_{DD}. Typical values are at T_A=+25°C, unless otherwise specified.)

PARAMETER	SYMBOL	TEST CONDITIONS	MIN	TYP	MAX	UNIT
Power Supply Requirements						
Power Supply	V _{DD}	Specified Performance	2.7		3.6	V
		Operating Range	2.7		5.5	V
Nominal Supply Current	I _{DD}			300		μA
		Shut Down Mode (D _{CLK} =D _{IN} =V _{DD})			1	μA
Power Dissipation	P _D			800		μW
		Shut Down Mode (V _{DD} =2.7V)			2.7	μW
System Performance						
Resolution				12		Bit
Integral nonlinear	INL			+/-2		LSB
Differential nonlinear	DNL			+/-1		LSB
Gain Error				+/-4		LSB
Offset Error				+/-6		LSB
Digital Input/Output						
Logic Family	V _{OH}	CMOS	V _{DD} *0.8			V
	V _{OL}				0.4	V
	V _{IH}		V _{DD} *0.7		V _{DD} +0.3	V
	V _{IL}		-0.3		0.8	V
/PEN Request (/PENIRQ)	V _{OL}	100KΩ Pull-Up		0.65		V
Analog Input						
Input Span			0		V _{REF}	V
Input Range			-0.2		V _{DD} +0.2	V
Capacitance				25		pF
Reference Input						
Range	V _{REF}		1		V _{DD}	V
Input Current	I _{REF}	Specified Performance		15		μA
X / Y Switches						
X+, Y+		Switch On-Resistance		5		Ω
X-, Y-		Switch On-Resistance		5		Ω

■ TYPICAL APPLICATION CIRCUIT



■ APPLICATION INFORMATION

OVERVIEW

The UTC **TS2043** is a 12-bit switched-capacitor Analog-to-Digital (A/D) converter and incorporates four channel inputs, a serial interface, and low on-resistance switches for touch panel.. It supplies from a single supply varying from +2.7V to +5.5V. It requires an external reference, which is directly limiting the input range of the converter. The four-channel multiplexer contained in the circuit decides the input to this converter (See **Figure 1**). In addition, an external clock is also required.

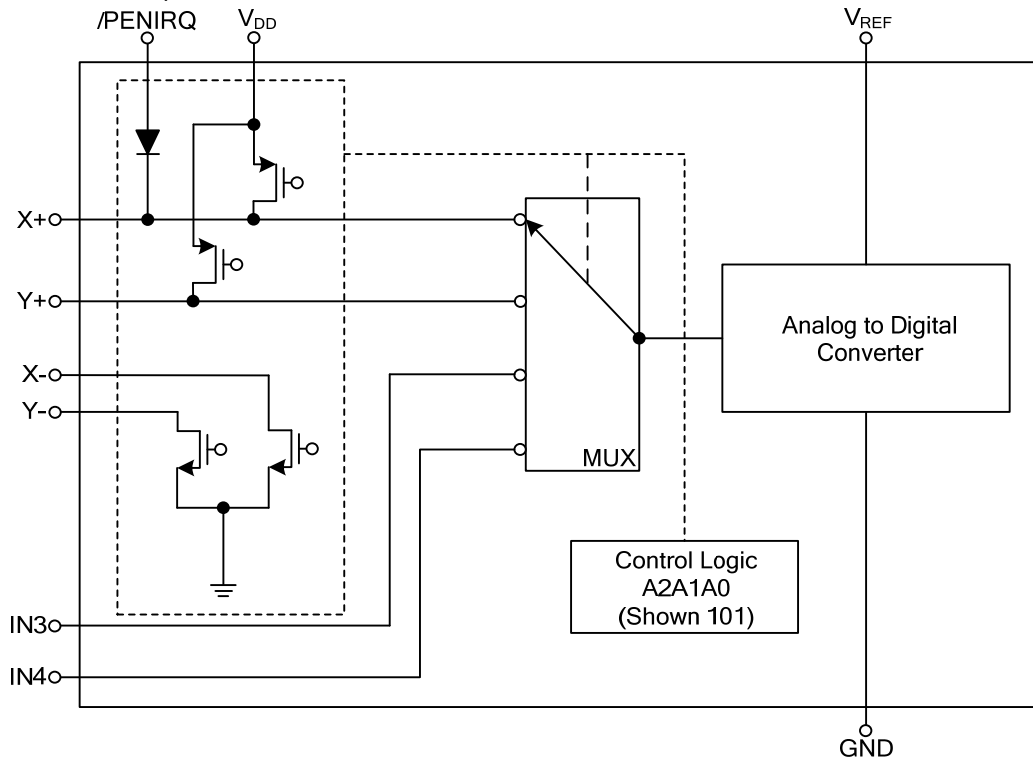


Figure 1. Diagram of Input Channel

OPERATION OF 24-CLOCKS

The UTC **TS2043** communicates with microprocessors or digital signal processors through a synchronous serial interface. For a total 24 clock cycles on the DCLK input, three serial communications are needed to complete one conversion. (See **Figure 2**)

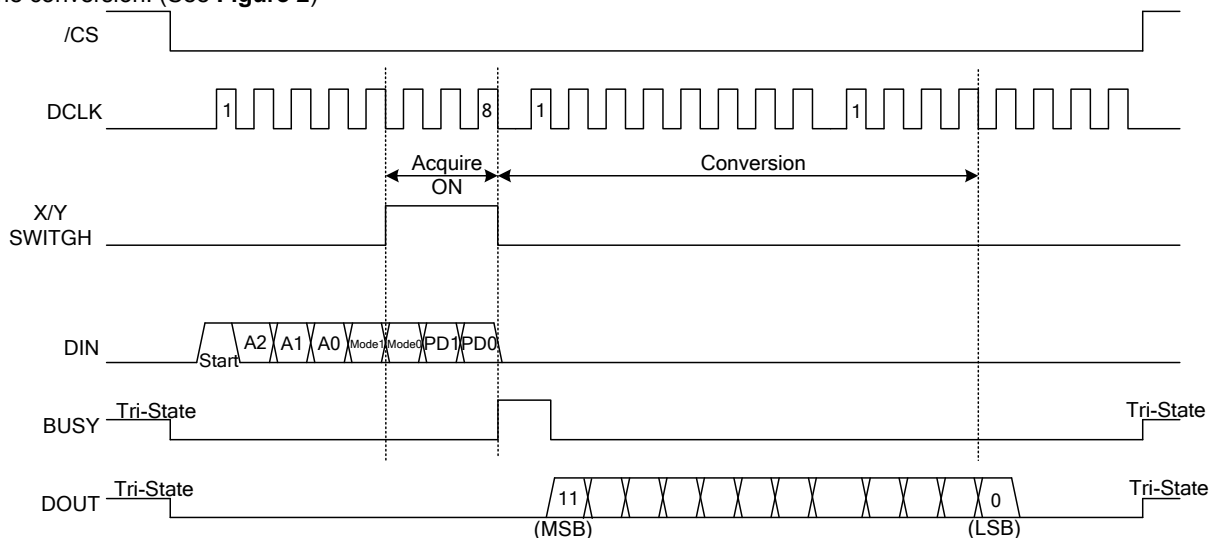


Figure 2. Serial Interface of TS2043

■ APPLICATION INFORMATION(Cont.)

Serial Interface

Once a falling signal applies on /CS pin (active in low), the operation is initiated. After /CS falls, the UTC **TS2043** begins to look for a start bit on the DIN input. At the end of the operation the /CS pin should be pulled high, which minimizes supply current if DCLK is left running.

Control Byte

The first eight clock cycles provides the control byte on DIN pin. (See **Table I** and **Table II** for more information). The control byte represents the start operation, addressing, resolution, and power down information.

Table I. Control Bits in the Control Byte

Bit 7	Bit 6	Bit 5	Bit 4	Bit 3	Bit 2	Bit 1	Bit 0
Start	A2	A1	A0	Mode1	Mode0	PD1	PD0

Table II. Description of the Control Bits

BIT	NAME	DESCRIPTION
7	Start	Start Bit.
6,5,4	A2,A1,A0	Input Channel Select Bits.
3,2	Mode1 Mode0	12-Bit / 8-Bit Conversion Configuration Bit.
1,0	PD1,PD0	Power Down Control Bits

Start Bit – Initiate Start

The control byte starts with the first high bit on DIN. The first bit must always be logic high (1) to initiate the start of the conversion. The UTC **TS2043** will not start until the start bit is detected.

Addressing Bits – Input Channel Selection

The next three bits on control byte are addressing bits (A2, A1, A0), which select the active input channel of the input multiplexer, and touch panel drivers. (See **Table III** for more information).

Table III. Input Channel Configuration

A2	A1	Input Channel	X Switch	Y Switch	Reference
0	0	X+	OFF	ON	V _{REF}
1	0	Y+	ON	OFF	V _{REF}
0	1	IN3	OFF	OFF	V _{REF}
1	1	IN4	OFF	OFF	V _{REF}

Mode Bits – Conversion Resolution Configuration

The Mode bits (Mode1, Mode0) set the resolution of this device. With the Mode1 bit LOW (0), the following conversion will have 12 bits of resolution. With the Mode1 bit HIGH (1) the following conversion will have 8 bits of resolution. (See **Table IV** for more information.)

Table IV. Resolution Configuration

Mode1	Mode0	DESCRIPTION
0	1	12bits Resolution
0	0	12bits Resolution
1	1	8bits Resolution
1	0	8bits Resolution

PD0 and PD1 Bits - Power Down Control

The last two bits are PD1 and PD0 bits, which control the power down mode of the UTC **TS2043**. Through applying a same logic high(1) this device enters a power-up mode, while enters a power-down mode by a same logic low (0) on PD1 and PD0 bits.(See **Table V** for more information).

Table V. Power-Down Selection

PD1	PD0	PENIRQ	DESCRIPTION
0	0	Enable	Power-Down between conversions. Y- switch is on.
0	1	Disable	Power-Down between conversions. Y- switch is off. /PENIRQ is disabled
1	0	Disable	No used.
1	1	Disable	No Power-Down between conversions.

■ APPLICATION INFORMATION(Cont.)

OPERATION OF 16-CLOCKS

The typical operation of the UTC **TS2043** is 24-clocks (three control bytes) per conversion. However the control bits for the next conversion can be overlapped with current conversion for a faster conversion. **Figure 3** shows the timing of 16-Clocks per conversion.

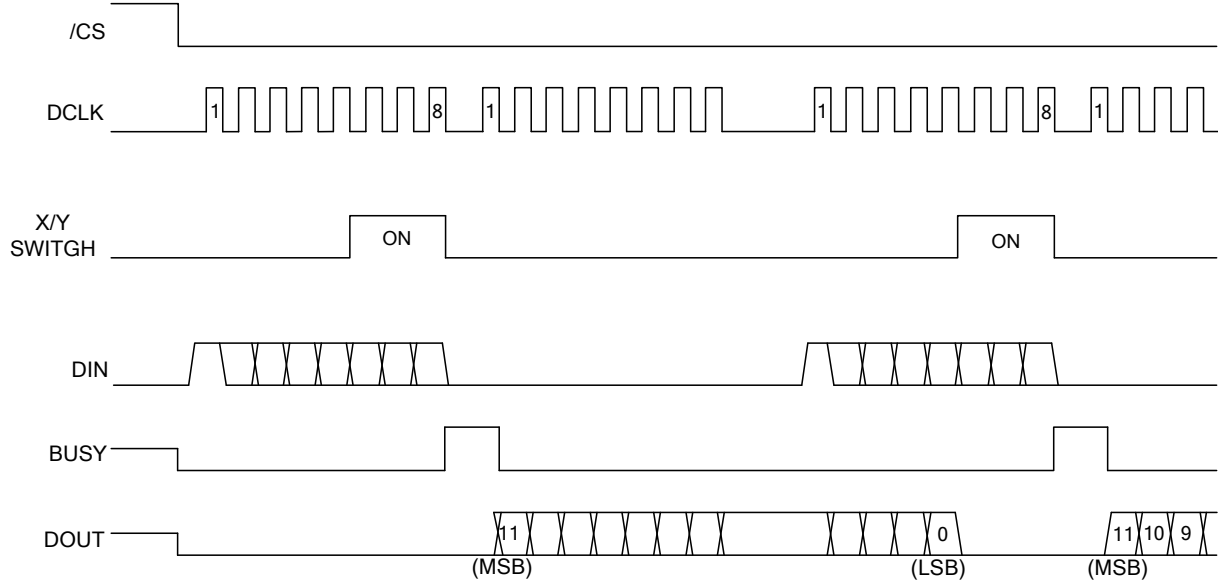


Figure 3. Timing of 16-clocks per Conversion

ANALOG INPUT

There are four channel inputs in the UTC **TS2043**. X+ and Y+ inputs are for touch panel measurement, 2 auxiliary inputs are IN3 and IN4. The input to the A/D converter is selected via the four-channel multiplexer. (see Block Diagram)

Input Channel

The input channel configuration of the UTC **TS2043** is shown in Table V. The control bits are set via the DIN pin. (see Control byte section). The selected channel is for A/D converter input. Please refer to Figure 5 for detailed input channel multiplexer. For measuring X+ and Y+, Y switches and X switches are turned on respectively.

Reference Input

An external reference voltage source is needed for the UTC **TS2043**. The reference input sets the Analog-to-Digital converter (ADC) input range. If the reference input is from the power supply directly, to avoid noise from power supply, special care must be taken into consideration.

UTC assumes no responsibility for equipment failures that result from using products at values that exceed, even momentarily, rated values (such as maximum ratings, operating condition ranges, or other parameters) listed in products specifications of any and all UTC products described or contained herein. UTC products are not designed for use in life support appliances, devices or systems where malfunction of these products can be reasonably expected to result in personal injury. Reproduction in whole or in part is prohibited without the prior written consent of the copyright owner. The information presented in this document does not form part of any quotation or contract, is believed to be accurate and reliable and may be changed without notice.