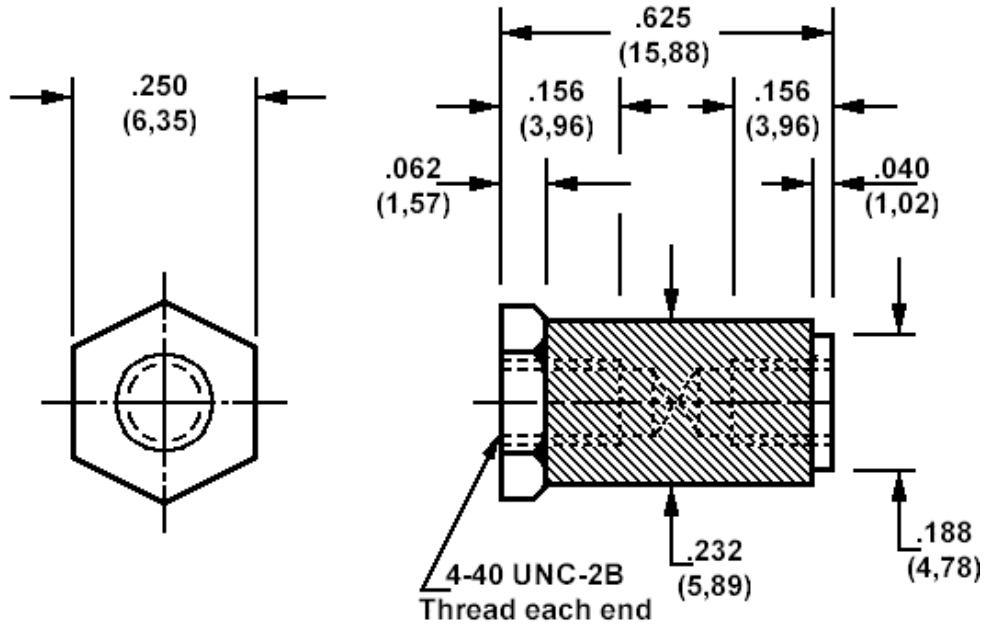


352-4620 Spacer/Stand-off, insulated, threaded



How to order code
352-4620-01-07-16
 Basic Part No

| MATERIALS | | |
|-----------|-------------------|-------------------------|
| Component | Material | Finish |
| Studs | Brass | Cadmium (plus Chromate) |
| Insulator | Diallyl Phthalate | Blue |

Other colour insulators available on request

| ADDITIONAL SPECIFICATIONS | |
|--|------|
| Dielectric Withstanding Voltage (VRMS) | 6000 |
| Capacitance (pF) | .6 |