

PLEASE CHECK WWW.MOLEX.COM FOR LATEST PART INFORMATION

Part Number: [0353630354](#)
Status: **Active**
Overview: sherlock
Description: 2.00mm (.079") Pitch Sherlock™ Wire-to-Board Header, Right Angle, with Positive Lock, 3 Circuits, Lead-free, Blue, Glass-filled

Documents:

[3D Model](#) [Product Specification PS-35507-004 \(PDF\)](#)
[Drawing \(PDF\)](#) [RoHS Certificate of Compliance \(PDF\)](#)

General

| | |
|----------------|--------------------------|
| Product Family | PCB Headers |
| Series | 35363 |
| Application | Wire-to-Board |
| Overview | sherlock |
| Product Name | Sherlock™ |

Physical

| | |
|--------------------------------|-----------------|
| Breakaway | No |
| Circuits (Loaded) | 3 |
| Circuits (maximum) | 3 |
| Color - Resin | Blue |
| Durability (mating cycles max) | 30 |
| First Mate / Last Break | No |
| Glow-Wire Compliant | No |
| Guide to Mating Part | No |
| Keying to Mating Part | None |
| Lock to Mating Part | Yes |
| Material - Plating Mating | Tin |
| Material - Plating Termination | Tin |
| Material - Resin | Nylon |
| Number of Rows | 1 |
| Orientation | Right Angle |
| PC Tail Length (in) | 0.126 In |
| PC Tail Length (mm) | 3.20 mm |
| PCB Locator | No |
| PCB Retention | Yes |
| PCB Thickness Recommended (in) | 0.062 In |
| PCB Thickness Recommended (mm) | 1.60 mm |
| Packaging Type | Bag |
| Pitch - Mating Interface (in) | 0.079 In |
| Pitch - Mating Interface (mm) | 2.00 mm |
| Polarized to Mating Part | Yes |
| Polarized to PCB | No |
| Shrouded | Partial |
| Stackable | No |
| Surface Mount Compatible (SMC) | No |
| Temperature Range - Operating | -40°C to +105°C |
| Termination Interface: Style | Through Hole |

Electrical

| | |
|-------------------------------|------|
| Current - Maximum per Contact | 2A |
| Voltage - Maximum | 125V |

Material Info

Reference - Drawing Numbers

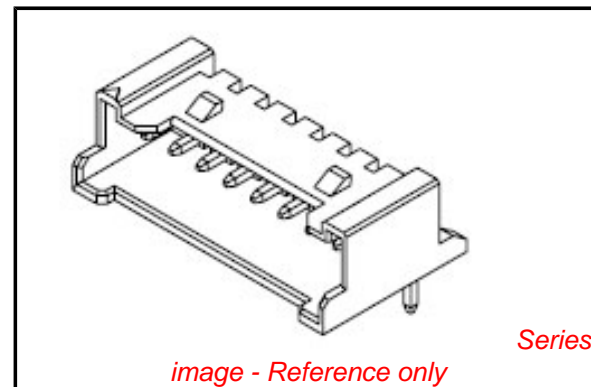


image - Reference only

EU RoHS

ELV and RoHS Compliant
REACH SVHC
 Not Reviewed
Halogen-Free Status
 Not Reviewed

China RoHS



Need more information on product environmental compliance?

Email productcompliance@molex.com
 For a multiple part number RoHS Certificate of Compliance, [click here](#)

Please visit the [Contact Us](#) section for any non-product compliance questions.

Search Parts in this Series

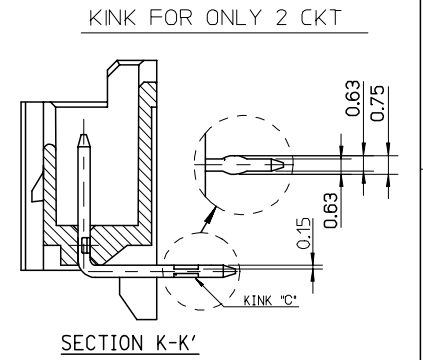
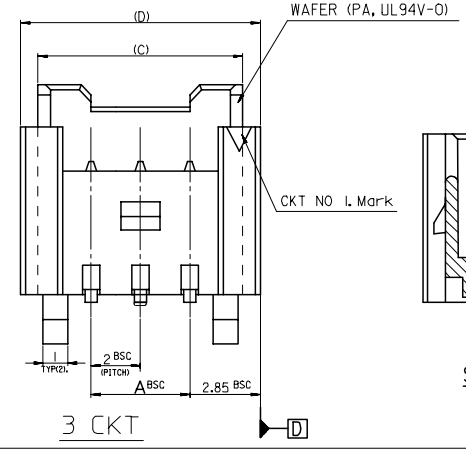
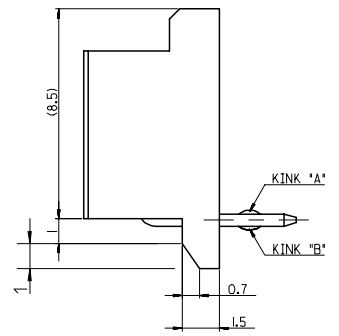
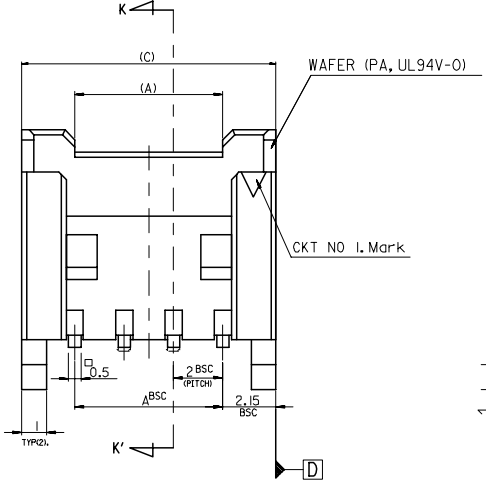
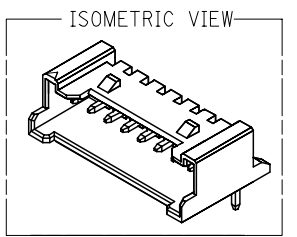
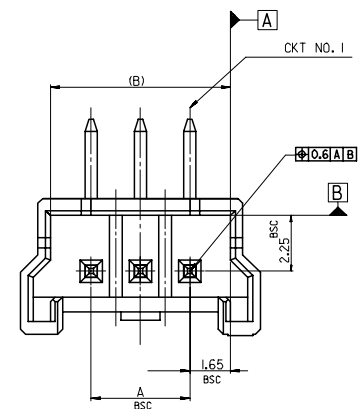
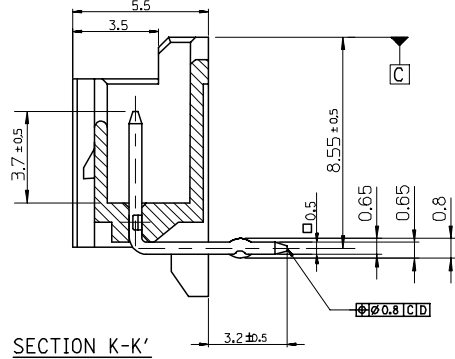
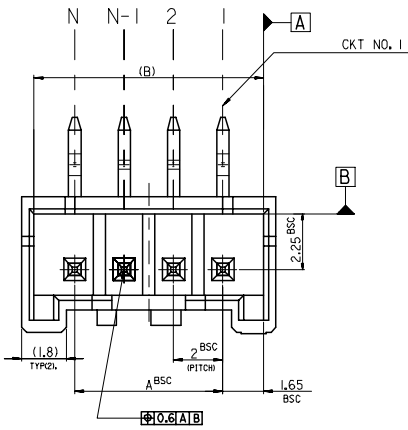
[35363Series](#)

Mates With

[35507 Sherlock™ Wire-to-Board Housing](#)

This document was generated on 05/24/2010

PLEASE CHECK WWW.MOLEX.COM FOR LATEST PART INFORMATION



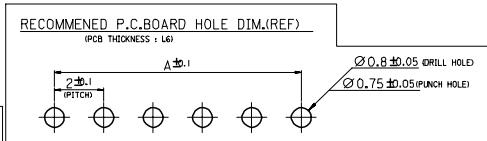
- NOTES**
- MATERIAL : WAFER : POLYAMIDE(PA), 20% GLASS FILLED, UL94V-0
PIN : BRASS
 - FINISHES :
TERMINAL: Sn 2to3 MICROMETER OVERALL
 - PRODUCT SPECIFICATION : PS-35507-003
 - MATING HOUSING : 35507-***0*
MATING TERMINAL : 50212-8000
 - KINK

LEGEND

SD-35363-***5*

CKT NO. _____

| | |
|---|---------|
| 0 | NATURAL |
| 1 | BLACK |
| 2 | RED |
| 3 | YELLOW |
| 4 | BLUE |
| 5 | GREEN |



| | | | | | | |
|-----|------|------|----|--------------|------------|-----|
| — | 16.3 | 15.3 | 12 | 353630750 | 35363-0750 | 7 |
| — | 14.3 | 13.3 | 10 | 353630650 | 35363-0650 | 6 |
| — | 10.3 | 9.3 | 6 | 353630450 | 35363-0450 | 4 |
| 9.7 | 8.3 | 7.3 | 4 | 353630350 | 35363-0350 | 3 |
| 7.7 | 6.3 | 5.3 | 2 | 353630250 | 35363-0250 | 2 |
| (D) | (C) | (B) | A | MATERIAL NO. | ENG. NO. | CKT |

| | | | | | | | | |
|------------|---|---|---|---|---|-----|-----|---|
| CKT NO | 1 | 2 | 3 | 4 | 5 | N-2 | N-1 | N |
| 6 CKT OVER | - | A | B | - | - | B | A | - |
| 4 CKT | A | B | B | A | | | | |
| 3 CKT | A | B | A | | | | | |
| 2 CKT | C | C | | | | | | |

| | |
|-------------------|-------|
| 30 over | ±0.3 |
| 10 over 30 under | ±0.25 |
| 10 under | ±0.2 |
| ANGLE | ±3° |
| GENERAL TOLERANCE | |

| | | | | | | | | | | | | | | | | | | | | | |
|--|---|--|--|--|----|------|----------|-----|----|----------|-----|----|----------|-----|----|---------|-----|----|------------|--|--|
| REVISED | EC NO. K0FZ006-0110 DRWN: Y.R.KIM 06/03/08 CHK: Y.SOO.KIM APPR: S.H.CHOI | QUALITY SYMBOLS MAJOR = CRITICAL = | GENERAL TOLERANCES: (UNLESS SPECIFIED) | | | | | | | | | | | | | | | | | | |
| B | | | <table border="1"> <tr> <td></td> <td>mm</td> <td>INCH</td> </tr> <tr> <td>4 PLACES</td> <td>±0.</td> <td>±.</td> </tr> <tr> <td>3 PLACES</td> <td>±0.</td> <td>±.</td> </tr> <tr> <td>2 PLACES</td> <td>±0.</td> <td>±.</td> </tr> <tr> <td>1 PLACE</td> <td>±0.</td> <td>±.</td> </tr> <tr> <td colspan="3">ANGULAR: ±</td> </tr> </table> | | mm | INCH | 4 PLACES | ±0. | ±. | 3 PLACES | ±0. | ±. | 2 PLACES | ±0. | ±. | 1 PLACE | ±0. | ±. | ANGULAR: ± | | |
| | mm | INCH | | | | | | | | | | | | | | | | | | | |
| 4 PLACES | ±0. | ±. | | | | | | | | | | | | | | | | | | | |
| 3 PLACES | ±0. | ±. | | | | | | | | | | | | | | | | | | | |
| 2 PLACES | ±0. | ±. | | | | | | | | | | | | | | | | | | | |
| 1 PLACE | ±0. | ±. | | | | | | | | | | | | | | | | | | | |
| ANGULAR: ± | | | | | | | | | | | | | | | | | | | | | |
| DRAFT WHERE APPLICABLE MUST REMAIN WITHIN DIMENSIONS | | | SCALE 1:1 DESIGN UNITS <input checked="" type="checkbox"/> mm <input type="checkbox"/> INCH DRAWN BY & DATE Y.R.KIM 05/04/04 CHECKED BY & DATE Y.SOO.KIM APPROVED BY & DATE C.W.LEE CAD FILENAME SD-35363-003.mi | | | | | | | | | | | | | | | | | | |

| | | | | | |
|--|--|---|--|----------------------|--------|
| THIRD ANGLE PROJECTION | | DIMENSIONS: <input type="checkbox"/> mm <input type="checkbox"/> INCH <input checked="" type="checkbox"/> mm ONLY | | SHT | REV |
| DRAWN BY & DATE Y.R.KIM 05/04/04 | | MATERIAL NO. SEE NOTE | | REVISION ON CAD ONLY | |
| CHECKED BY & DATE Y.SOO.KIM | | DRAWING NO. SD-35363-003 | | SHEET NO. 1 OF 1 | |
| APPROVED BY & DATE C.W.LEE | | DRAWING NO. SD-35363-003 | | SHEET NO. 1 OF 1 | |
| CAD FILENAME SD-35363-003.mi | | DRAWING NO. SD-35363-003 | | SHEET NO. 1 OF 1 | |
| THIS DRAWING CONTAINS INFORMATION THAT IS PROPRIETARY TO MOLEX INCORPORATED AND SHOULD NOT BE USED WITHOUT WRITTEN PERMISSION. | | | | | |
| TITLE: NEW 2.0 W/B CONN WAFER ASSY (R/A) | | | | | SIZE B |