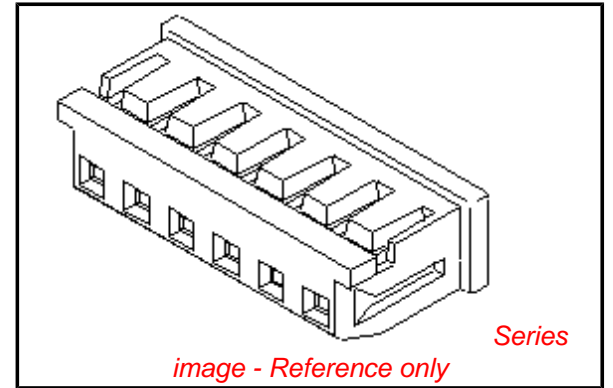


PLEASE CHECK WWW.MOLEX.COM FOR LATEST PART INFORMATION

Part Number: [0510650800](#)
Status: **Active**
Overview: [microlatch](#)
Description: 2.00mm (.079") Pitch Micro-Latch™ Wire-to-Board Housing, Friction Lock, 8 Circuits

Documents:

3D Model	Product Specification PS-51065-017 (PDF)
Drawing (PDF)	Product Specification PS-51065-018 (PDF)
Product Specification PS-51065-005 (PDF)	RoHS Certificate of Compliance (PDF)
Product Specification PS-51065-016 (PDF)	



Agency Certification

CSA	LR19980
UL	E29179

General

Product Family	Crimp Housings
Series	51065
MolexKits	Yes
Overview	microlatch
Product Name	Micro-Latch™

Physical

Circuits (maximum)	8
Color - Resin	Natural
Flammability	94V-0
Gender	Female
Glow-Wire Compliant	No
Material - Resin	Polyester
Number of Rows	1
Packaging Type	Bag
Panel Mount	No
Pitch - Mating Interface (in)	0.079 In
Pitch - Mating Interface (mm)	2.00 mm
Stackable	No
Temperature Range - Operating	-40°C to +105°C

Material Info

Reference - Drawing Numbers

Packaging Specification	SPK-51065-001
Product Specification	PS-51065-005, PS-51065-016, PS-51065-017, PS-51065-018, RPS-51065-001, RPS-51065-002, RPS-51065-006, RPS-51065-007, RPS-51065-010, RPS-51065-011, RPS-51065-012, RPS-51065-013, RPS-51065-015, RPS-51065-020, RPS-51065-021, RPS-51065-022, RPS-51065-023, RPS-51065-024, RPS-51065-025, RPS-51065-026, RPS-51065-027, RPS-51065-028, RPS-51065-029, RPS-51065-030
Sales Drawing	SD-51065-004, SD-51065-005, SD-51065-006

EU RoHS ELV and RoHS Compliant REACH SVHC Contains SVHC: No Halogen-Free Status Not Halogen-Free	China RoHS 
---	--

Need more information on product environmental compliance?

Email productcompliance@molex.com
For a multiple part number RoHS Certificate of Compliance, [click here](#)

Please visit the [Contact Us](#) section for any non-product compliance questions.

Search Parts in this Series
[51065Series](#)

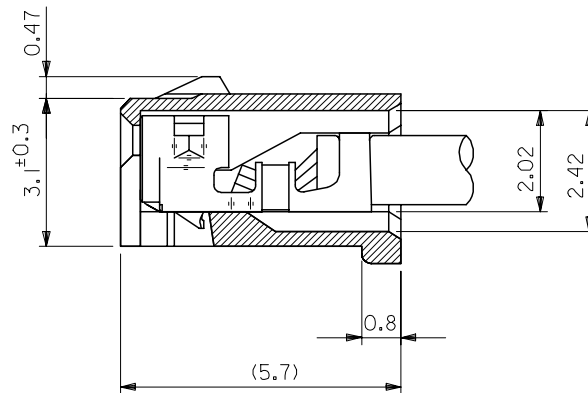
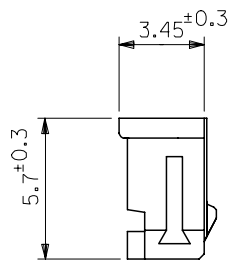
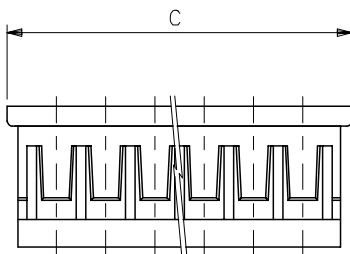
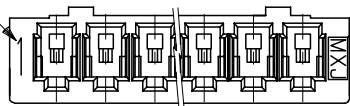
Mates With
[53253](#) PCB Header, [53254](#) PCB Header

Use With
[50212](#) Crimp Terminal

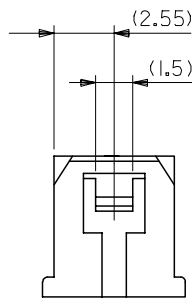
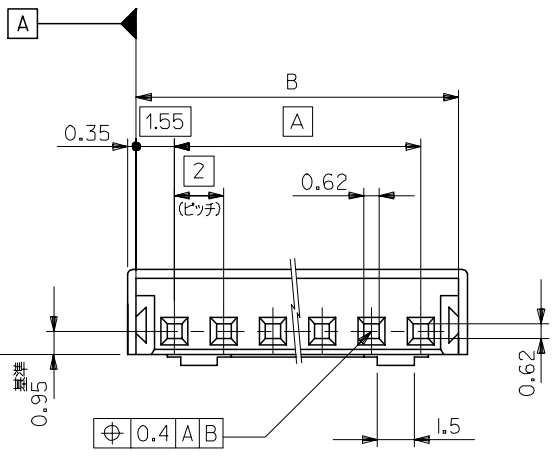
10 9 8 7 6 5 4 3 2 1

回路番号

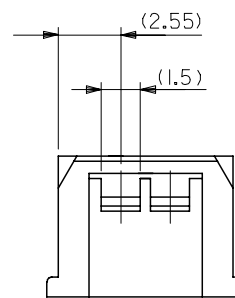
トレードマーク



ターミナル装着状態図
(10:1)



2極の場合



3極の場合

31.8	31.1	28	51065-150*	15
29.8	29.1	26	-140*	14
27.8	27.1	24	-130*	13
25.8	25.1	22	-120*	12
23.8	23.1	20	-110*	11
21.8	21.1	18	-100*	10
19.8	19.1	16	-090*	9
17.8	17.1	14	-080*	8
15.8	15.1	12	-070*	7
13.8	13.1	10	-060*	6
11.8	11.1	8	-050*	5
9.8	9.1	6	-040*	4
7.8	7.1	4	-030*	3
5.8	5.1	2	51065-020*	2
C	B	A	MATERIAL NO.	極数

注記

1. 適合ターミナル: 50212-8*00
2. 嵌合相手: 53253-***10, 53254-***10
3. 材質: PBT. UL94V-0
4. MATERIAL NO. の説明

51065-***0*

- 製品の色
- 1: 黒 (BLACK)
 - 5: 灰 (GRAY)
 - 6: 緑 (GREEN)
 - 7: 茶 (BROWN)

REVISED EC NO: J2006-1395 DRWN: NABE CHK: KYOYODA APPR: NUKITA	DESCRIPTION 2005/10/31 2005/11/01 2005/11/02	GENERAL TOLERANCES (UNLESS SPECIFIED)		DIMENSION STYLE MM ONLY		SCALE 5:1	DESIGN UNITS METRIC	THIRD ANGLE PROJECTION	
		10 UNDER	±0.2	DRAWN BY S. AIHARA	DATE '89/09/21	TITLE NEW 2.0 WIRE TO BOARD CONN RECEPTACLE HOUSING			
		10 OVER 30 UNDER	±0.25	CHECKED BY M. FUKUSHIMA	DATE '90/01/18	APPROVED BY M. ENOMOTO			
		30 OVER	±0.3	DATE '90/01/18	MATERIAL NO. SEE CHART				
DRAFT WHERE APPLICABLE MUST REMAIN WITHIN DIMENSIONS		SIZE A3		DOCUMENT NO. SD-51065-004		SHEET NO. 1 OF 2		MOLEX INCORPORATED	

10 9 8 7 6 5 4 3 2 1

F

F

E

E

D

D

C

C

B

B

A

A

31.8	31.1	28	51065-1507	51065-1506	51065-1505	51065-1501	51065-1500	15
29.8	29.1	26	51065-1407	51065-1406	51065-1405	51065-1401	51065-1400	14
27.8	27.1	24	51065-1307		51065-1305	51065-1301	51065-1300	13
25.8	25.1	22	51065-1207	51065-1206	51065-1205	51065-1201	51065-1200	12
23.8	23.1	20	51065-1107		51065-1105	51065-1101	51065-1100	11
21.8	21.1	18	51065-1007	51065-1006	51065-1005	51065-1001	51065-1000	10
19.8	19.1	16	51065-0907	51065-0906	51065-0905	51065-0901	51065-0900	9
17.8	17.1	14	51065-0807	51065-0806	51065-0805	51065-0801	51065-0800	8
15.8	15.1	12	51065-0707		51065-0705	51065-0701	51065-0700	7
13.8	13.1	10	51065-0607		51065-0605	51065-0601	51065-0600	6
11.8	11.1	8	51065-0507		51065-0505	51065-0501	51065-0500	5
9.8	9.1	6	51065-0407		51065-0405	51065-0401	51065-0400	4
7.8	7.1	4	51065-0307		51065-0305		51065-0300	3
5.8	5.1	2	51065-0207		51065-0205		51065-0200	2
C	B	A	BROWN	GREEN	GRAY	BLACK	NATURAL	極数

REVISED EC NO: J2006-1395 DRWN: NABE 2005/10/31 CHKDK: TOYODA 2005/11/01 APPR: NUKITA 2005/11/02	GENERAL TOLERANCES (UNLESS SPECIFIED)		DIMENSION STYLE MM ONLY		SCALE 5:1	DESIGN UNITS METRIC	THIRD ANGLE PROJECTION		
	10 UNDER	± 0.2	DRAWN BY S. AIHARA		DATE '89/09/21		TITLE NEW 2.0 WIRE TO BOARD CONN RECEPTACLE HOUSING		
	10 OVER 30 UNDER	± 0.25	CHECKED BY M. FUKUSHIMA		DATE '90/01/18				
	30 OVER	± 0.3	APPROVED BY M. ENOMOTO		DATE '90/01/18		MOLEX INCORPORATED		
	ANGULAR	± 3 °	MATERIAL NO. SEE CHART		DOCUMENT NO. SD-51065-004		SHEET NO. 2 OF 2		
DRAFT WHERE APPLICABLE MUST REMAIN WITHIN DIMENSIONS		SIZE A3		THIS DRAWING CONTAINS INFORMATION THAT IS PROPRIETARY TO MOLEX INCORPORATED AND SHOULD NOT BE USED WITHOUT WRITTEN PERMISSION					

9

8

7

6

5

4

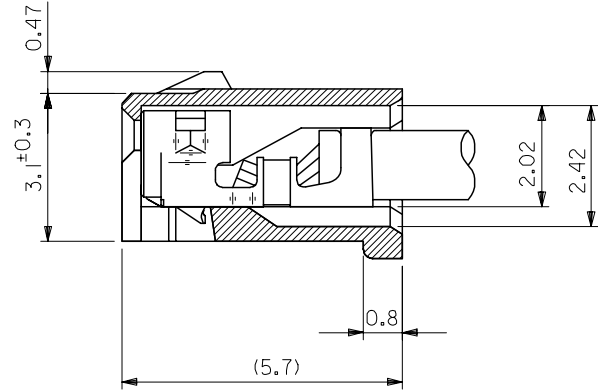
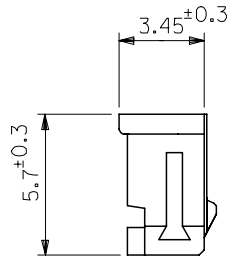
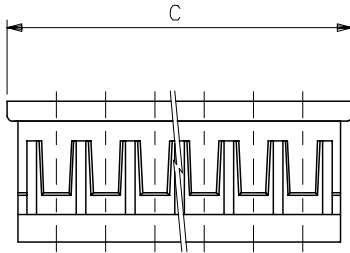
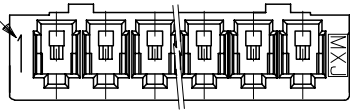
3

2

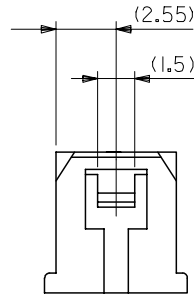
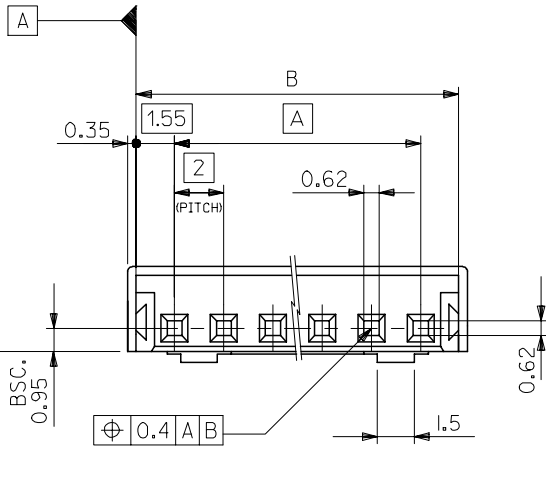
10 9 8 7 6 5 4 3 2 1

CIRCUIT NO.

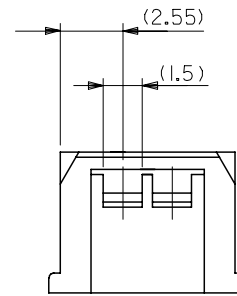
TRADE MARK



TERMINAL ASSEMBLY DRAWING
(10:1)



IN CASE OF
2 CIRCUIT HSG.



IN CASE OF
3 CIRCUIT HSG.

31.8	31.1	28	51065-150*	15
29.8	29.1	26	-140*	14
27.8	27.1	24	-130*	13
25.8	25.1	22	-120*	12
23.8	23.1	20	-110*	11
21.8	21.1	18	-100*	10
19.8	19.1	16	-090*	9
17.8	17.1	14	-080*	8
15.8	15.1	12	-070*	7
13.8	13.1	10	-060*	6
11.8	11.1	8	-050*	5
9.8	9.1	6	-040*	4
7.8	7.1	4	-030*	3
5.8	5.1	2	51065-020*	2
C	B	A	MATERIAL NO.	極数

NOTES

1. APPLICABLE TERMINAL 50212-8*00
2. MATES WITH : 53253-**10,53254-**10
3. MATERIAL : PBT , UL94V-0
4. MATERIAL NO.

51065-**0*

CIRCUIT COLOR
1: BLACK
5: GRAY
6: GREEN
7: BROWN

REVISED EC NO: J2006-1395 DRW: NABEI 2005/10/31 CHK: KYOYODA 2005/11/01 APP: NUKITA 2005/11/02	GENERAL TOLERANCES (UNLESS SPECIFIED)		DIMENSION STYLE MM ONLY		SCALE 5:1	DESIGN UNITS METRIC	THIRD ANGLE PROJECTION	
	10 UNDER	±0.2	DRAWN BY S. AIHARA	DATE '89/09/21	TITLE NEW 2.0 WIRE TO BOARD CONN RECEPTACLE HOUSING			
	10 OVER 30 UNDER	±0.25	CHECKED BY M. FUKUSHIMA	DATE '90/01/18	MOLEX INCORPORATED			
	30 OVER	±0.3	APPROVED BY M. ENOMOTO	DATE '90/01/18	DOCUMENT NO. SD-51065-005			
	ANGULAR ±3 °	DRAFT WHERE APPLICABLE MUST REMAIN WITHIN DIMENSIONS		MATERIAL NO. SEE CHART		SHEET NO. 1 OF 2		
		SIZE A3				THIS DRAWING CONTAINS INFORMATION THAT IS PROPRIETARY TO MOLEX INCORPORATED AND SHOULD NOT BE USED WITHOUT WRITTEN PERMISSION		

10 9 8 7 6 5 4 3 2 1

F

F

E

E

D

D

C

C

B

B

A

A

31.8	31.1	28	51065-1507	51065-1506	51065-1505	51065-1501	51065-1500	15
29.8	29.1	26	51065-1407	51065-1406	51065-1405	51065-1401	51065-1400	14
27.8	27.1	24	51065-1307		51065-1305	51065-1301	51065-1300	13
25.8	25.1	22	51065-1207	51065-1206	51065-1205	51065-1201	51065-1200	12
23.8	23.1	20	51065-1107		51065-1105	51065-1101	51065-1100	11
21.8	21.1	18	51065-1007	51065-1006	51065-1005	51065-1001	51065-1000	10
19.8	19.1	16	51065-0907	51065-0906	51065-0905	51065-0901	51065-0900	9
17.8	17.1	14	51065-0807	51065-0806	51065-0805	51065-0801	51065-0800	8
15.8	15.1	12	51065-0707		51065-0705	51065-0701	51065-0700	7
13.8	13.1	10	51065-0607		51065-0605	51065-0601	51065-0600	6
11.8	11.1	8	51065-0507		51065-0505	51065-0501	51065-0500	5
9.8	9.1	6	51065-0407		51065-0405	51065-0401	51065-0400	4
7.8	7.1	4	51065-0307		51065-0305		51065-0300	3
5.8	5.1	2	51065-0207		51065-0205		51065-0200	2
C	B	A	BROWN	GREEN	GRAY	BLACK	NATURAL	極数

REVISED EC NO: J2006-1395 DRWN: NABE 2005/10/31 CHKDK: TOYODA 2005/11/01 APPR: NUKITA 2005/11/02	GENERAL TOLERANCES (UNLESS SPECIFIED)		DIMENSION STYLE MM ONLY	SCALE 5:1	DESIGN UNITS METRIC	THIRD ANGLE PROJECTION
	10 UNDER	± 0.2	DRAWN BY S. AIHARA	DATE '89/09/21	TITLE NEW 2.0 WIRE TO BOARD CONN RECEPTACLE HOUSING	
	10 OVER 30 UNDER	± 0.25	CHECKED BY M. FUKUSHIMA	DATE '90/01/18	MOLEX INCORPORATED	
	30 OVER	± 0.3	APPROVED BY M. ENOMOTO	DATE '90/01/18	DOCUMENT NO. SD-51065-005	
	ANGULAR	± 3 °	MATERIAL NO. SEE CHART		SHEET NO. 2 OF 2	
DRAFT WHERE APPLICABLE MUST REMAIN WITHIN DIMENSIONS		SIZE A3	THIS DRAWING CONTAINS INFORMATION THAT IS PROPRIETARY TO MOLEX INCORPORATED AND SHOULD NOT BE USED WITHOUT WRITTEN PERMISSION			

10 9 8 7 6 5 4 3 2 1

F

E

D

C

B

A

F

E

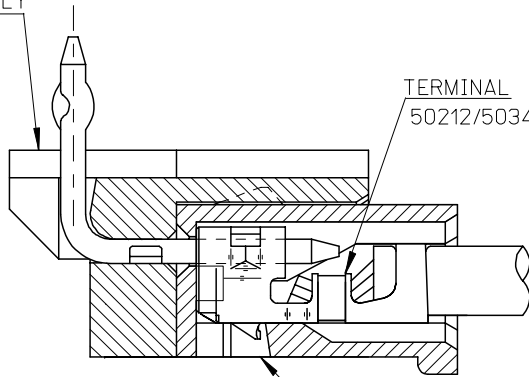
D

C

B

A

HEADER HOUSING ASSEMBLY
53254SERIES

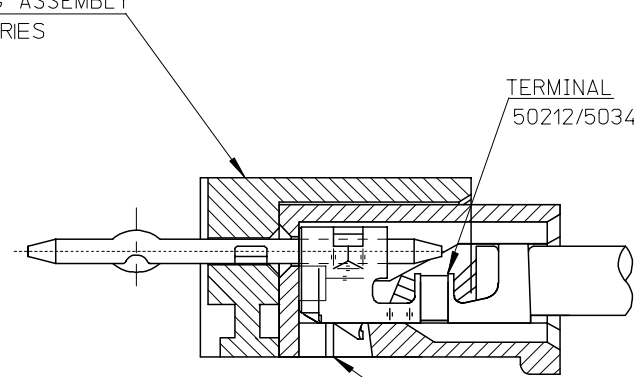


TERMINAL
50212/50346 SERIES

RECEPTACLE HOUSING
51065 SERIES

51065シリーズ/53254シリーズ 嵌合状態図 参考
51065 SERIES/53254 SERIES MATED DRAWING (REF.)

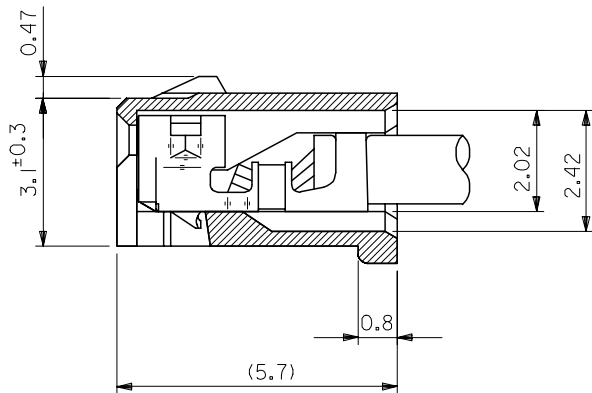
HEADER HOUSING ASSEMBLY
53253SERIES



TERMINAL
50212/50346 SERIES

RECEPTACLE HOUSING
51065 SERIES

51065シリーズ/53253シリーズ 嵌合状態図 参考
51065 SERIES/53253 SERIES MATED DRAWING (REF.)



ターミナル装着状態図
TERMINAL ASS'Y DWG.

RELEASED EC NO: J2008-2041 DRWN: AOYAGI 2007/11/21 CHKD: THARUYAMA 2007/11/22 APPR: NUKITA 2007/11/22	GENERAL TOLERANCES (UNLESS SPECIFIED)		DIMENSION STYLE MM ONLY	SCALE 10:1	DESIGN UNITS METRIC	THIRD ANGLE PROJECTION
	10 UNDER	±0.2	DRAWN BY Y. AOYAGI	DATE 2007/11/13	TITLE NEW 2.0 W/B CONN. 51065/53253OR51065/53254	
	10 OVER 30 UNDER	±0.25	CHECKED BY N. UKITA	DATE 2007/11/13		
	30 OVER	±0.3	APPROVED BY N. UKITA	DATE 2007/11/13	MOLEX INCORPORATED DOCUMENT NO. SD-51065-006 SHEET NO. 1 OF 1	
	ANGULAR	±1 °	MATERIAL NO.			
0	DRAFT WHERE APPLICABLE MUST REMAIN WITHIN DIMENSIONS		SIZE A3	THIS DRAWING CONTAINS INFORMATION THAT IS PROPRIETARY TO MOLEX INCORPORATED AND SHOULD NOT BE USED WITHOUT WRITTEN PERMISSION		