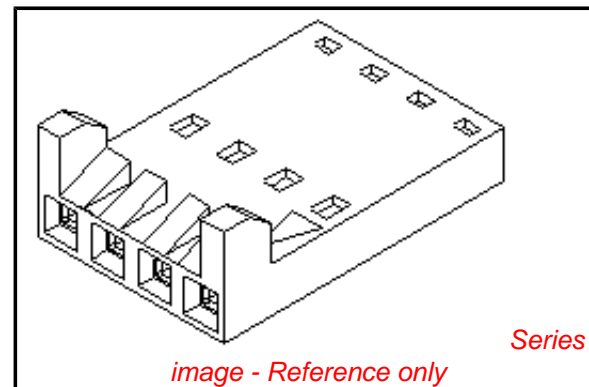


PLEASE CHECK WWW.MOLEX.COM FOR LATEST PART INFORMATION

Part Number: [0050579524](#)
Status: **Active**
Overview: [cgrid_sl_products](#)
Description: 2.54mm (.100") Pitch SL™ Crimp Housing, Single Row, Version H, Polarized Friction Lock, 24 Circuits

Documents:

| | |
|---|--|
| 3D Model | Product Specification PS-70058 (PDF) |
| Drawing (PDF) | Product Specification PS-70400 (PDF) |
| Packaging Specification (PDF) | RoHS Certificate of Compliance (PDF) |



Agency Certification

| | |
|-----|-----------|
| CSA | LR19980 |
| TUV | R72081037 |
| UL | E29179 |

General

| | |
|----------------|-----------------------------------|
| Product Family | Crimp Housings |
| Series | 70066 |
| Comments | Version H |
| Overview | cgrid_sl_products |
| Product Name | SL™ |

Physical

| | |
|-------------------------------|-----------------|
| Circuits (maximum) | 24 |
| Color - Resin | Black |
| Flammability | 94V-0 |
| Gender | Female |
| Glow-Wire Compliant | No |
| Material - Resin | Polyester Alloy |
| Number of Rows | 1 |
| Packaging Type | Bag |
| Panel Mount | No |
| Pitch - Mating Interface (in) | 0.100 In |
| Pitch - Mating Interface (mm) | 2.54 mm |
| Stackable | Yes |
| Temperature Range - Operating | -40°C to +105°C |

Material Info

| | |
|-----------------|------------|
| Old Part Number | 70066-0233 |
|-----------------|------------|

Reference - Drawing Numbers

| | |
|-------------------------|--------------------|
| Packaging Specification | PK-70066-100 |
| Product Specification | PS-70058, PS-70400 |
| Sales Drawing | SD-70066-0211-0234 |
| Test Summary | TS-70058-001 |

| | |
|---|--|
| EU RoHS ELV and RoHS Compliant REACH SVHC Contains SVHC: No Halogen-Free Status Not Reviewed | China RoHS  |
|---|--|

Need more information on product environmental compliance?

Email productcompliance@molex.com
 For a multiple part number RoHS Certificate of Compliance, [click here](#)

Please visit the [Contact Us](#) section for any non-product compliance questions.

Search Parts in this Series
[70066Series](#)

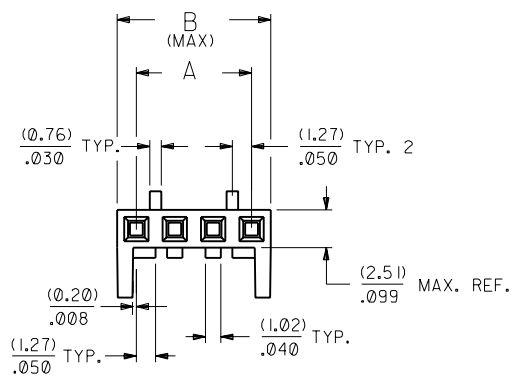
Mates With
[6373](#) Straight Header, [7478](#)

Use With
[70058](#) , [71851](#)

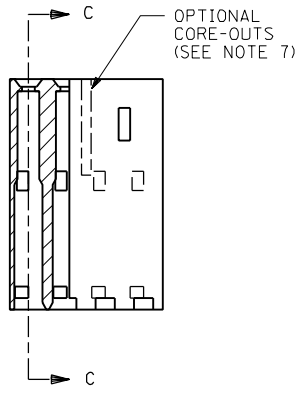
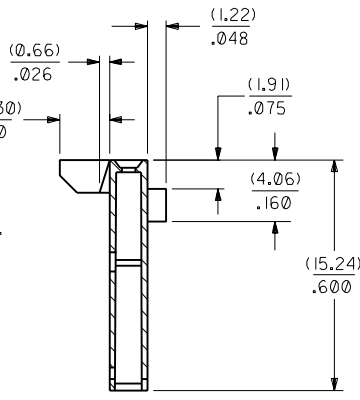
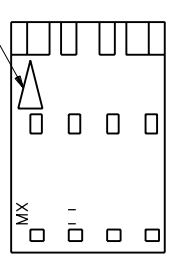
NOTES:

- 1) MATERIAL: G.F. POLYESTER
- 2) HOUSING TO BE USE WITH TERMINAL PT. NO. 70058-****
- 3) SEE CHART FOR CIRCUIT SIZES.
- 4) TO BE USED WITH (0.64)/.025 SQ. OR RD. PINS.
- 5) PARTS STACKABLE END TO END ON (2.54)/.100 CENTERS.
- 6) REFER TO PRODUCT SPECIFICATION NO. : P.S.-70058
- 7) PARTS MAY OR MAY NOT BE SUPPLIED WITH EXTERIOR CORE-OUT CONFIGURATION. SEE DWG. SD-70066-**** FOR OPTIONAL HOUSING DETAILS.
- 8) PACKAGE PER PK-70066-100.

OPTION "H"



CIRCUIT NO. 1 IDENTIFICATION



SECTION C-C

| CKT. SIZE | EDP. NO. | ENG. NO. | A | B |
|-----------|------------|------------|---------------|---------------|
| 2 | 50-57-9502 | 70066-0211 | (2.54)/.100 | (5.05)/.199 |
| 3 | 50-57-9503 | 70066-0212 | (5.08)/.200 | (7.59)/.299 |
| 4 | 50-57-9504 | 70066-0213 | (7.62)/.300 | (10.13)/.399 |
| 5 | 50-57-9505 | 70066-0214 | (10.16)/.400 | (12.67)/.499 |
| 6 | 50-57-9506 | 70066-0215 | (12.70)/.500 | (15.21)/.599 |
| 7 | 50-57-9507 | 70066-0216 | (15.24)/.600 | (17.75)/.699 |
| 8 | 50-57-9508 | 70066-0217 | (17.78)/.700 | (20.29)/.799 |
| 9 | 50-57-9509 | 70066-0218 | (20.32)/.800 | (22.83)/.899 |
| 10 | 50-57-9510 | 70066-0219 | (22.86)/.900 | (25.37)/.999 |
| 11 | 50-57-9511 | 70066-0220 | (25.40)/1.000 | (27.91)/1.099 |
| 12 | 50-57-9512 | 70066-0221 | (27.94)/1.100 | (30.45)/1.199 |
| 13 | 50-57-9513 | 70066-0222 | (30.48)/1.200 | (32.99)/1.299 |
| 14 | 50-57-9514 | 70066-0223 | (33.02)/1.300 | (35.53)/1.399 |
| 15 | 50-57-9515 | 70066-0224 | (35.56)/1.400 | (38.07)/1.499 |
| 16 | 50-57-9516 | 70066-0225 | (38.10)/1.500 | (40.61)/1.599 |
| 17 | 50-57-9517 | 70066-0226 | (40.64)/1.600 | (43.15)/1.699 |
| 18 | 50-57-9518 | 70066-0227 | (43.18)/1.700 | (45.69)/1.799 |
| 19 | 50-57-9519 | 70066-0228 | (45.72)/1.800 | (48.23)/1.899 |
| 20 | 50-57-9520 | 70066-0229 | (48.26)/1.900 | (50.77)/1.999 |
| 21 | 50-57-9521 | 70066-0230 | (50.80)/2.000 | (53.31)/2.099 |
| 22 | 50-57-9522 | 70066-0231 | (53.34)/2.100 | (55.85)/2.199 |
| 23 | 50-57-9523 | 70066-0232 | (55.88)/2.200 | (58.39)/2.299 |
| 24 | 50-57-9524 | 70066-0233 | (58.42)/2.300 | (60.93)/2.399 |
| 25 | 50-57-9525 | 70066-0234 | (60.96)/2.400 | (63.47)/2.499 |

70066

MFG. SH. REV.

| | | | | | |
|--|--|---|--|--|--|
| DIMENSIONS SHOWN (METRIC) INCH UNLESS OTHERWISE SPECIFIED TOLERANCES: ANGULAR ± 1/2° | | REVISIONS C REVISED PER ECR# U10967 8-8-91 MJM/MGB B REVISED PER ECR# U80051 3-27-89 MGB A RELEASE DRAWING FOR MANUFACTURE PER ERO NO. 24037 2/26/87 BJS | | DRAFT WHERE APPLICABLE MUST REMAIN WITHIN DIMENSIONS | |
| 5 PLACE ± .010 --- 2 PLACE ± .014 ± 0.25 1 PLACE --- ± 0.35 | | DRWG. NO. SD-70066-0211-0234 FILE NAME 700660211 THIS DRAWING CONTAINS INFORMATION THAT IS PROPRIETARY TO MOLEX INC. AND SHOULD NOT BE USED WITHOUT WRITTEN PERMISSION. | | SHEET NO. 1 DATE 02/26/87 DIV. DA | |
| DRWG. BY BJS APP'D. BY | | CHK'D. BY SCALE 4:1 | | MFG. SH. REV. | |