



PRODUCT SPECIFICATION

Model No : CSQ-2842V9/2841V9

Descriptions:

- 0.28 Inch Quad Digit Display
- CSQ-2842: Common Anode
- CSQ-2841: Common Cathode
- Emitting Color: Super Bright Orange



CUSTOMER APPROVED SIGNATURES	APPROVED BY	CHECKED BY	PREPARED BY

CHINA SEMICONDUCTOR CORPORATION

Address:2FL. NO.909,Chung-Cheng Road,
Chung-Ho City Taipei Hsien,Taiwan.

Tel:886-2-2223-9696
Fax:886-2-2223-9377

OPTO PLUS TECHNOLOGIES CO.,LTD

Address:696 Shun jiang Rd.,Ji Shan St.Shaoxing,
ZheJiang,China

Tel:86-0575-88623888
Fax:86-0575-88623112



Model No : CSQ-2842/2841V9

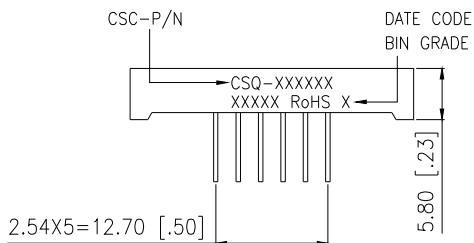
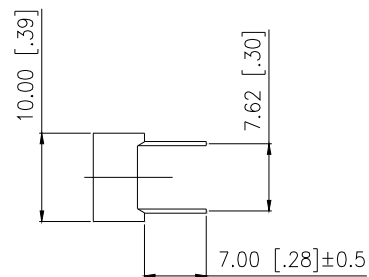
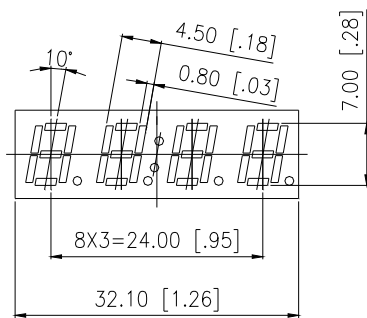
Features -

1. 0.28 inch (7.0mm) digit height.
2. Case mold type.
3. RoHS compliant.
4. Low power consumption.
5. Easy mounting on P.C. board or socket.

Device Selection Guide -

Part No.	Chip		Description
	Material	Emitted Color	
CSQ-2842V9	AlGaInP	Super Bright Orange	Common Anode
CSQ-2841V9	AlGaInP	Super Bright Orange	Common Cathode

Package Dimensions -



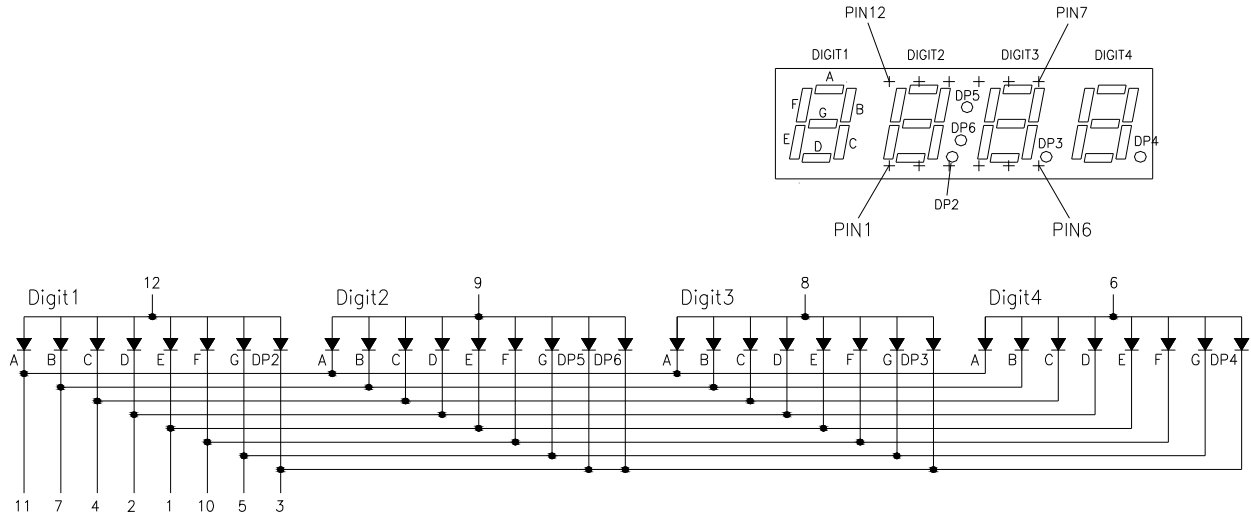
NOTE:

1. All pins are $\varnothing 0.45$ [.02"].
2. Dimension in millimeter (inch), and tolerance is ± 0.25 [.01] unless otherwise noted.



Model No : CSQ-2842/2841V9

Internal Circuit Diagrams -



CSQ-2842 Common Anode
(CSQ-2841 Common Cathode)

Absolute Maximum Rating -

(Ta=25°C)

Parameter	Symbol	Rating	Unit
Power Dissipation Per Dice	PAD	70	mW
Continuous Forward Current Per Dice	IAF	25	mA
Peak Current Per Dice(duty cycle 1/10, 1kHz)	IPF	90	mA
Derating Linear From 25°C Per Dice	-	0.33	mA/°C
Reverse Voltage Per Dice	VR	5	V
Operating Temp.	Topr	-35 ~ +85	°C
Storage Temp.	Tstg	-35 ~ +85	°C
Solder temperature 1/16 inch below seating plane for 3 seconds at 260°C			



Model No : CSQ-2842/2841V9

■ Electro-optical Characteristics -

(Ta=25°C)

Parameter	Symbol	Min.	Typ.	Max.	Unit	Condition
Forward Voltage Per Segment	V_F	-	2.0	2.8	V	$I_F=20\text{mA}$
Luminous Intensity Per Segment	I_v	5000	12000	-	ucd	$I_F=10\text{mA}$
Peak Emission Wavelength	λ_p	-	632	-	nm	$I_F=20\text{mA}$
Dominant Wavelength	λ_d	-	624	-	nm	$I_F=20\text{mA}$
Spectrum Radiation Bandwidth	$\Delta \lambda$	-	20	-	nm	$I_F=20\text{mA}$
Reverse Current	I_R	-	-	100	μA	$V_R=5\text{V}$
Luminous Intensity Matching Ratio	$IV-m$	-	-	2:1	-	$I_F=10\text{mA}$



Model No : CSQ-2842/2841V9

■ Typical Electrical / Optical Characteristics Curves -

(Ta = 25°C Unless Otherwise Noted)

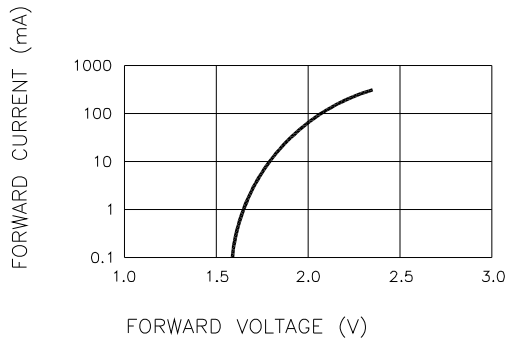


Fig.1 FORWARD CURRENT VS. FORWARD VOLTAGE

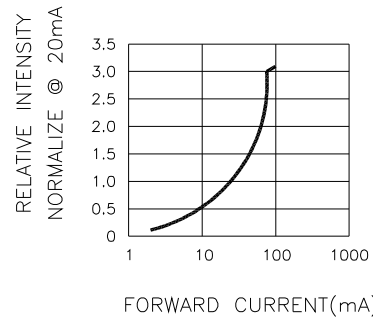


Fig.2 RELATIVE INTENSITY VS. FORWARD CURRENT

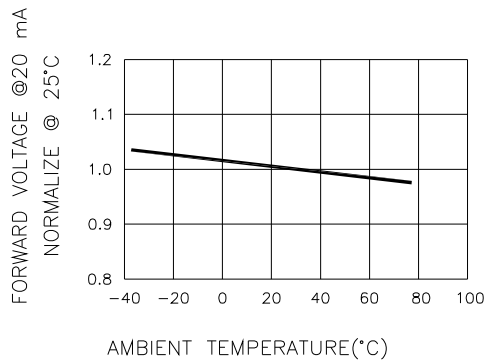


Fig.3 FORWARD VOLTAGE VS. TEMPERATURE

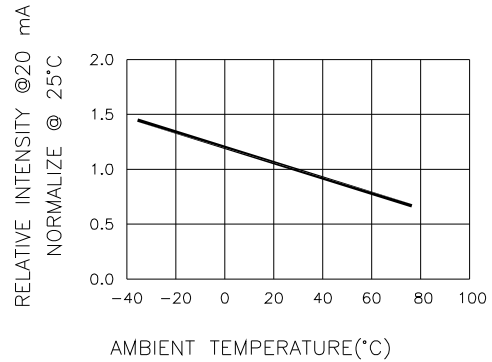


Fig.4 RELATIVE INTENSITY VS. TEMPERATURE

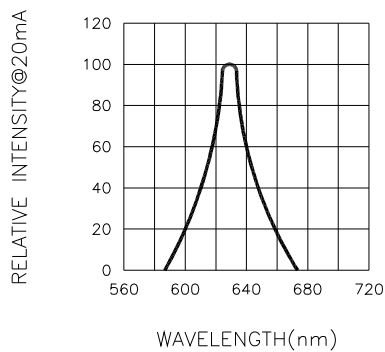


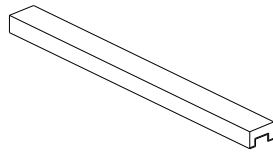
Fig.5 RELATIVE INTENSITY VS. WAVELENGTH



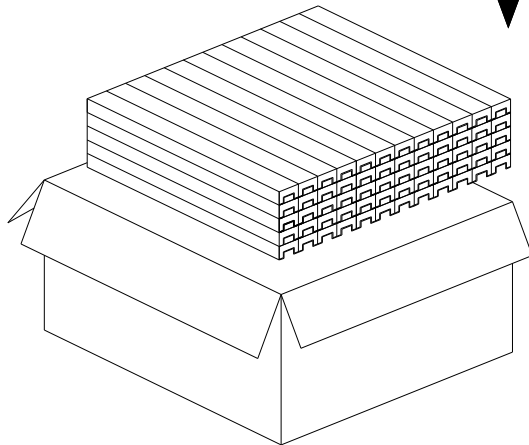
Model No: CSQ-2842/2841V9

■ Package Dimensions

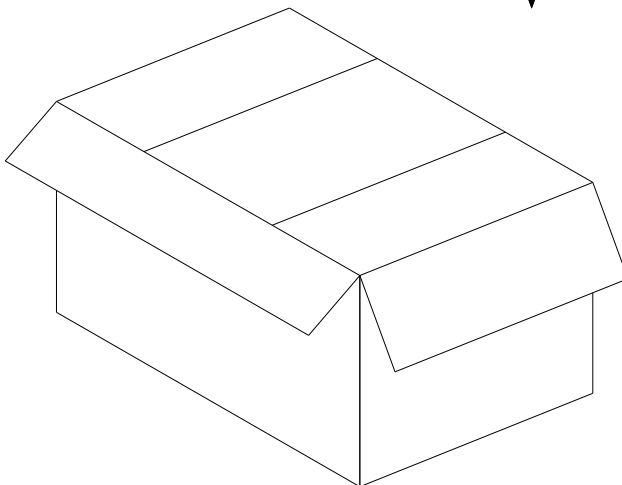
CSQ-284XX
Quad Digit Display
Dice Code



15 Pcs Per Tube



90 Tubes Per Inner Box
Total Q'TY: 1350 Pcs



3 Inner Boxes Per Carton.
Total Q'TY: 4050 Pcs

Carton Size:
L540*W485*H305.5 mm

Note: The specifications are subject to change without notice. Please contact us for updated information.