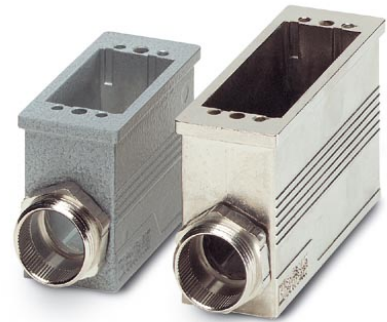


VC-MP-S1

Order No.: 1884720

The illustration shows versions, powder-coated and EMC-coated box
mounting base<http://eshop.phoenixcontact.de/phoenix/treeViewClick.do?UID=1884720>Box mounting base, made of metal, powder-coated type 1, number of
modules 2, cable screw connection Pg16

| Commercial data | |
|--------------------------|--------------------|
| EAN | 4017918164751 |
| Pack | 5 pcs. |
| Customs tariff | 85389099 |
| Weight/Piece | 0.36496 KG |
| Catalog page information | Page 371 (PC-2009) |

Product notesWEEE/RoHS-compliant since:
11/08/2006

[http://
www.download.phoenixcontact.com](http://www.download.phoenixcontact.com)
Please note that the data given
here has been taken from the
online catalog. For comprehensive
information and data, please refer
to the user documentation. The
General Terms and Conditions of
Use apply to Internet downloads.

Technical data**General characteristics**

| | |
|------------------------------|---|
| Note | When using fiber optics, the bending radii of the cable manufacturers must be observed. |
| Design | VC1 |
| Degree of protection | IP65/IP66/IP67 |
| Type of the screw connection | Pg16 |
| Pg screw connection | None |

| | |
|---------------------------------|-------------------|
| Height | 49 mm |
| Number of module slots | 2 |
| Housing material | Zinc die-cast |
| Housing surface material | Powder coating |
| Seal material | EPDM |
| Ambient temperature (operation) | -40 °C ... 125 °C |

Accessories

| Item | Designation | Description |
|----------------|-----------------------|--|
| General | | |
| 1885460 | VC-M-KV-PG16 1X3/1X9 | Multiple screw connection Pg16, made of metal, consisting of rubber seal with several holes (1 x 3 mm/1 x 9 mm) and a pressure screw, for cable screw connection thread VC-M-KV-PG16..... |
| 1885499 | VC-M-KV-PG16 1X3/2X8 | Multiple screw connection Pg16, made of metal, consisting of rubber seal with several holes (1 x 3 mm/2 x 8 mm) and a pressure screw, for cable screw connection support VC-M-KV-PG16..... |
| 1885509 | VC-M-KV-PG16 1X5/2X6 | Multiple screw connection Pg16, made of metal, consisting of rubber seal with several holes (1 x 5 mm/2 x 6 mm) and a pressure screw, for cable screw connection support VC-M-KV-PG16..... |
| 1885473 | VC-M-KV-PG16 1X6/1X8 | Multiple screw connection Pg16, made of metal, consisting of rubber seal with several holes (1 x 6 mm/1 x 8 mm) and a pressure screw, for cable screw connection support VC-M-KV-PG16..... |
| 1885473 | VC-M-KV-PG16 1X6/1X8 | Multiple screw connection Pg16, made of metal, consisting of rubber seal with several holes (1 x 6 mm/1 x 8 mm) and a pressure screw, for cable screw connection support VC-M-KV-PG16..... |
| 1885512 | VC-M-KV-PG16 2X6/1X7 | Multiple screw connection Pg16, made of metal, consisting of rubber seal with several holes (2 x 6 mm/1 x 7 mm) and a pressure screw, for cable screw connection support VC-M-KV-PG16..... |
| 1885525 | VC-M-KV-PG16 3X7 | Multiple screw connection Pg16, made of metal, consisting of rubber seal with several holes (3 x 7 mm) and a pressure screw, for cable screw connection support VC-M-KV-PG16..... |
| 1853942 | VC-M-KV-PG16(4- 6,5) | Half screw connection Pg16, made of metal, consisting of rubber seal with one hole and one pressure screw, for type 1 housings, cable [mm] 4 - 6.5 |
| 1853955 | VC-M-KV-PG16(5- 8) | Half screw connection Pg16, made of metal, consisting of rubber seal with one hole and one pressure screw, for type 1 housings, cable [mm] 5 - 8 |

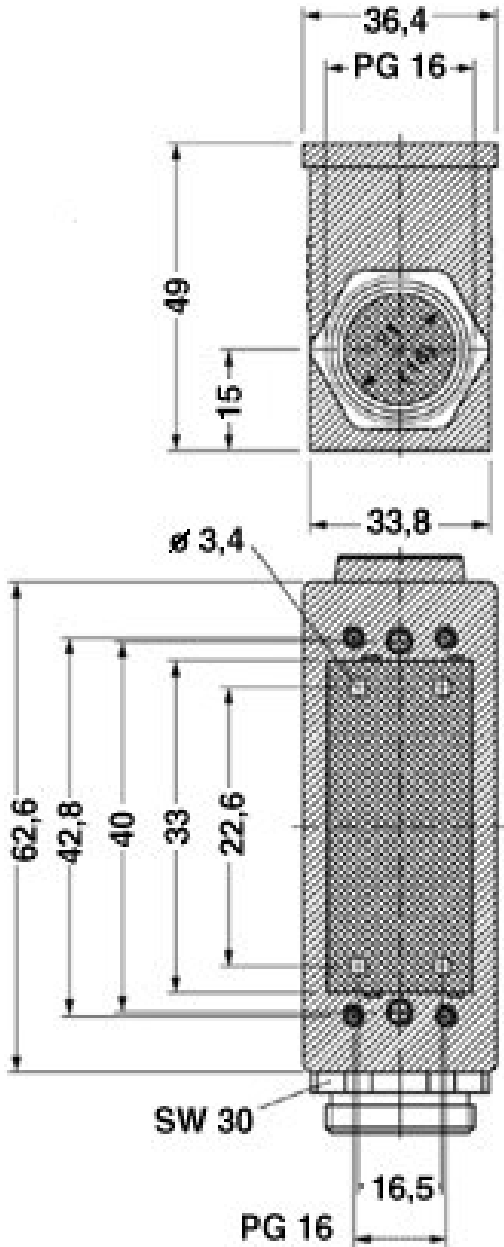
| | | |
|---------|-------------------------|--|
| 1853968 | VC-M-KV-PG16(6,5- 9,5) | Half screw connection Pg16, made of metal, consisting of rubber seal with one hole and one pressure screw, for type 1 housings, cable [mm] 6.5 - 9.5 |
| 1853971 | VC-M-KV-PG16(7-10,5) | Half screw connection Pg16, made of metal, consisting of rubber seal with one hole and one pressure screw, for type 1 housings, cable [mm] 7 - 10.5 |
| 1853984 | VC-M-KV-PG16(9-13) | Half screw connection Pg16, made of metal, consisting of rubber seal with one hole and one pressure screw, for type 1 housings, cable [mm] 9 - 13 |
| 1854857 | VC-M-KV-PG16(11,5-15,5) | Half screw connection Pg16, made of metal, consisting of rubber seal with one hole and one pressure screw, for type 1 housings, cable [mm] 11.5 - 15.5 |
| 1854857 | VC-M-KV-PG16(11,5-15,5) | Half screw connection Pg16, made of metal, consisting of rubber seal with one hole and one pressure screw, for type 1 housings, cable [mm] 11.5 - 15.5 |

Marking

| | | |
|---------|-----------|--|
| 1852875 | VC-BZS WH | Marker labels, unprinted, 5-section, for individual labeling with M-PEN or CMS system, white |
|---------|-----------|--|

Diagrams/Drawings

Dimensioned drawing



Address

PHOENIX CONTACT Deutschland GmbH
Flachmarktstr. 8
32825 Blomberg, Germany
Phone +49 5235 3 12000
Fax +49 5235 3 41200
<http://www.phoenixcontact.de>



© 2010 Phoenix Contact
Technical modifications reserved;