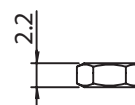
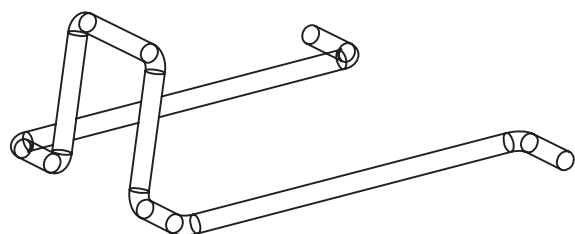
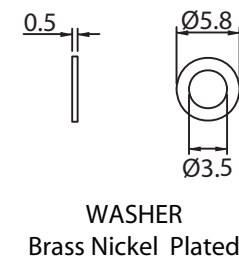
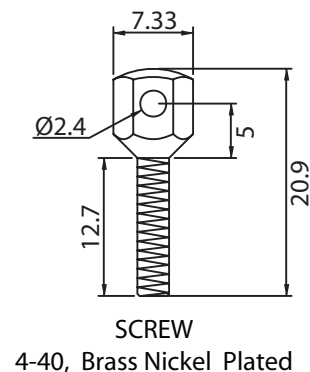
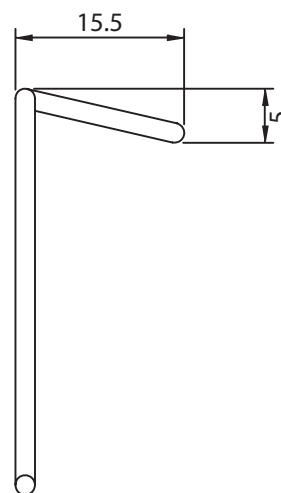
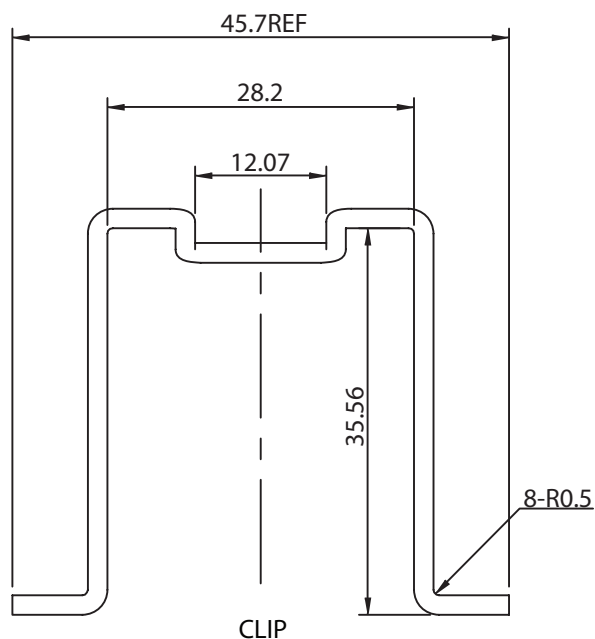


THESE DRAWINGS ARE THE PROPERTY OF QUALTEK ELECTRONICS AND NOT TO BE REPRODUCED FOR OR COMMUNICATED TO A THIRD PARTY WITHOUT THE EXPRESS WRITTEN PERMISSION OF AN OFFICER OF QUALTEK ELECTRONICS.

REVISION			
REV.	DESCRIPTION	DATE	APPROVED
B	Updated Specifications	05-21-08	DP



HEX NUT
4-40, Brass Nickel Plated

NOTES:

MATERIAL: STAINLESS STEEL
 FINISH: ELECTROLYZE
 WIRE: $\text{Ø}1.8 \pm 0.1\text{mm}$
 GENERAL TOLERANCE UNLESS NOTED ± 0.5
 RoHS COMPLIANT

CONTROLLED

Dim range (mm)	Tolerance +/- (mm)	Qualtek Electronics Corp. PPC DIVISION		
		Part Number:	732C-00/00	RoHS Compliant
0-1	0.15	Description: RETAINER CLIP KIT		
1-6	0.20			
6-18	0.30		UNIT: mm	REV. B
18-50	0.50			
50-120	0.70	Drawn / Date	Checked / Date	Approved / Date
120-250	0.90	R.Nuti 01-09-08	01-09-08	JJH / 01-09-08
250-500	1.20			