

ALi M3328C DVB-S Solution

DB-M3328c-02V02


www.Datasheet4U.net

Change List:

ITEM	Change	DATE	BY
1	Created DB-M3328C-02V02	2005-06-10	qinhe
2	Changed some GPIO of panel.	2005-06-20	Tom
3	Changed DiSEqC Control Circuit	2005-06-20	Tom
4	Add a FLASH as 39LV040	2005-07-6	Tom

GPIO MAPPING:

Number	USAGE	USAGE DETAIL	NOTE
GPIO0	F_LOCK	PANEL LOCK LED(0:LIGHT)	
GPIO2	F_KEY2	PANEL KEY DETECT 2	NEED PULL HIGH
GPIO3	F_KEY1	PANEL KEY DETECT 1	NEED PULL HIGH
GPIO4	F_CLOCK	PANEL CLOCK	
GPIO5	F_DATA	PANEL DATA	
GPIO8	F_COM1	PANEL COM1	NEED PULL HIGH
GPIO9	F_COM2	PANEL COM2	NEED PULL HIGH
GPIO17	F_COM3	PANEL COM3	NEED PULL HIGH
GPIO18	LNB_CUT	LNB POWER CUT(1: OFF)	

		
Title COVER		
Size A	Document Number M3328C CB	Rev 1.0
Date: Thursday, January 05, 2006		
Sheet 1 of 8		

SDRAM (2M
byte)

RS232

Audio
Amplifier

ANALOG
AUDIO/VIDEO
OUTPUT

TUNER
MODULE

M3328C

EJTAG

27MHz

Power Supply

1.8V
3.3V
5V
24V

FRONT PANEL

FLASH ROM
512K
x8bit

VIDEO

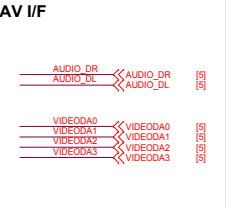
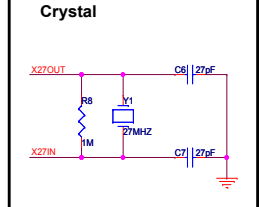
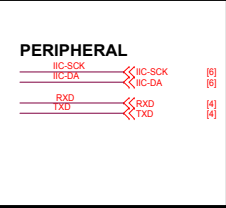
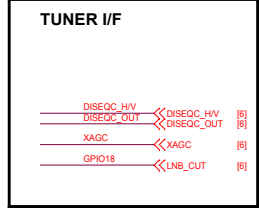
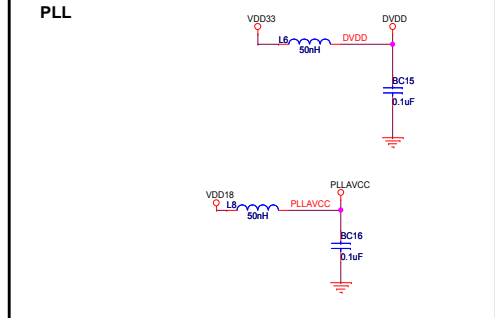
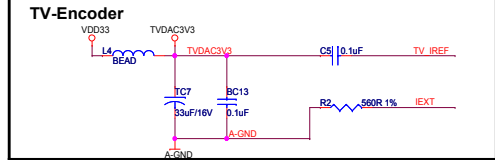
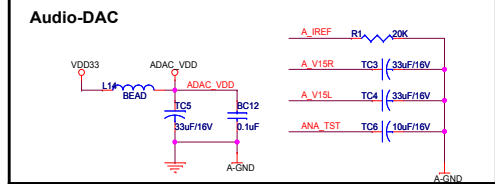
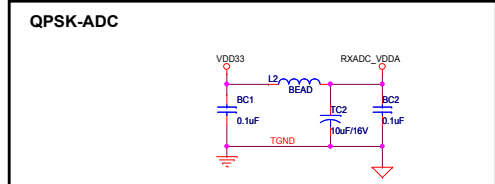
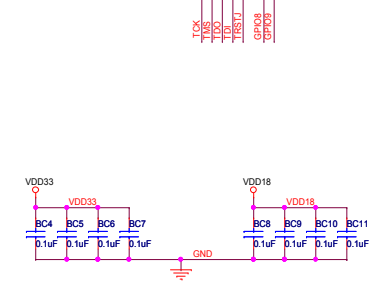
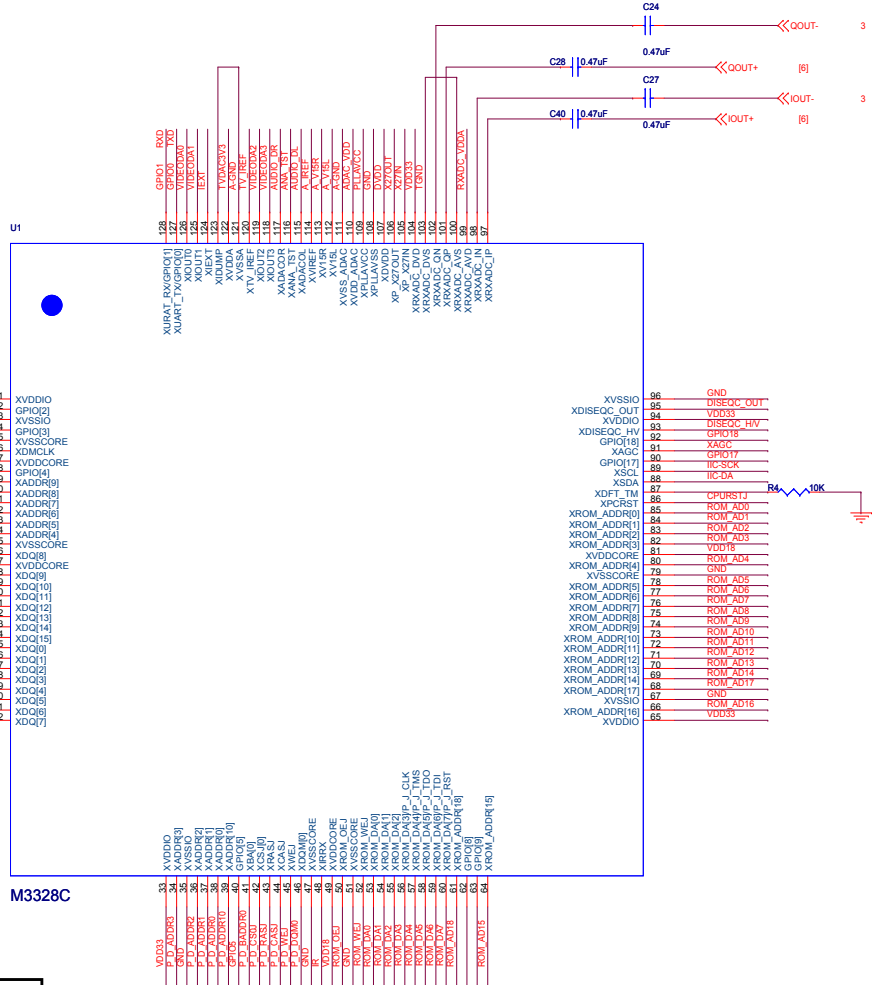
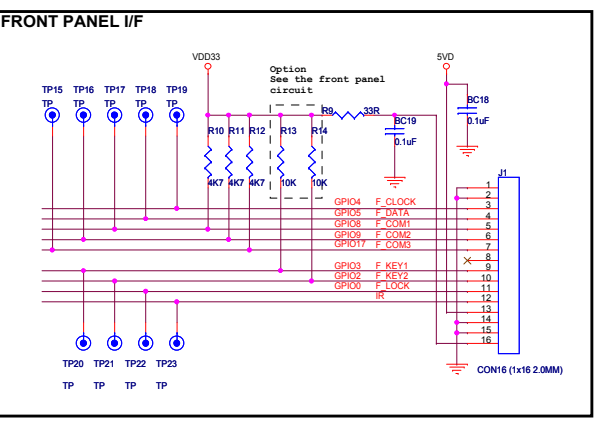
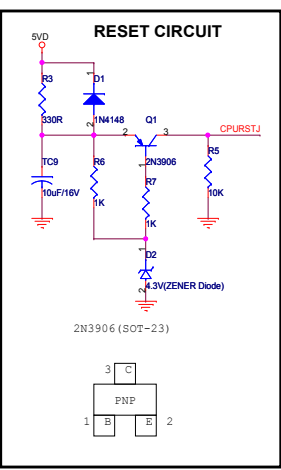
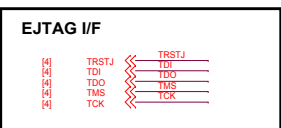
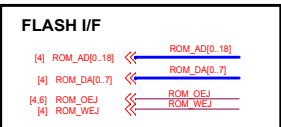
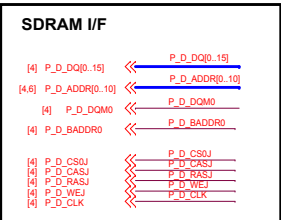
DISEQ

I2C I/F

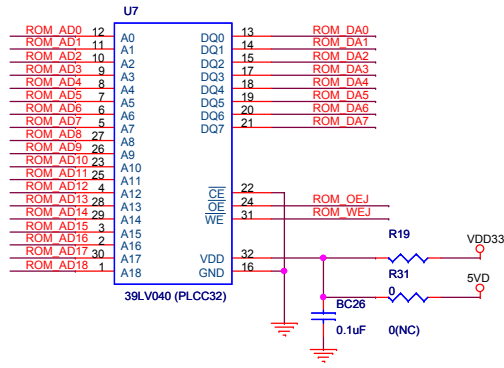
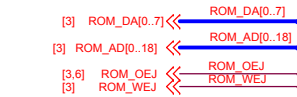
2CH

ALI 揚智科技
Ali Corporation

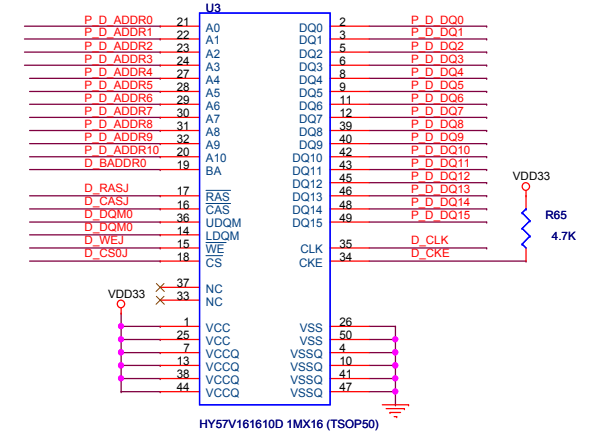
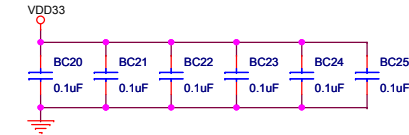
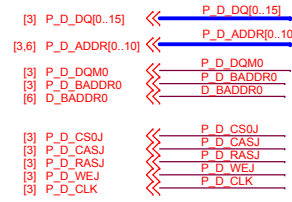
Title		
Module		
Size	Document Number	Rev
A	M3328C CB	1.0
Date:	Thursday, January 05, 2006	Sheet 2 of 8



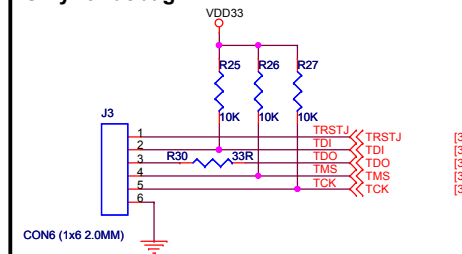
FLASH



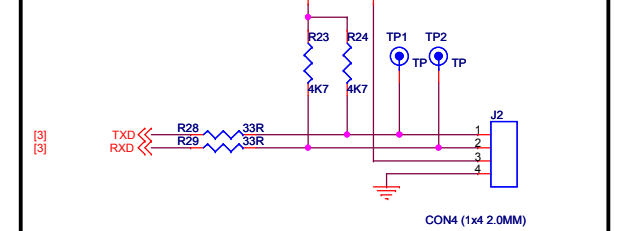
SDRAM



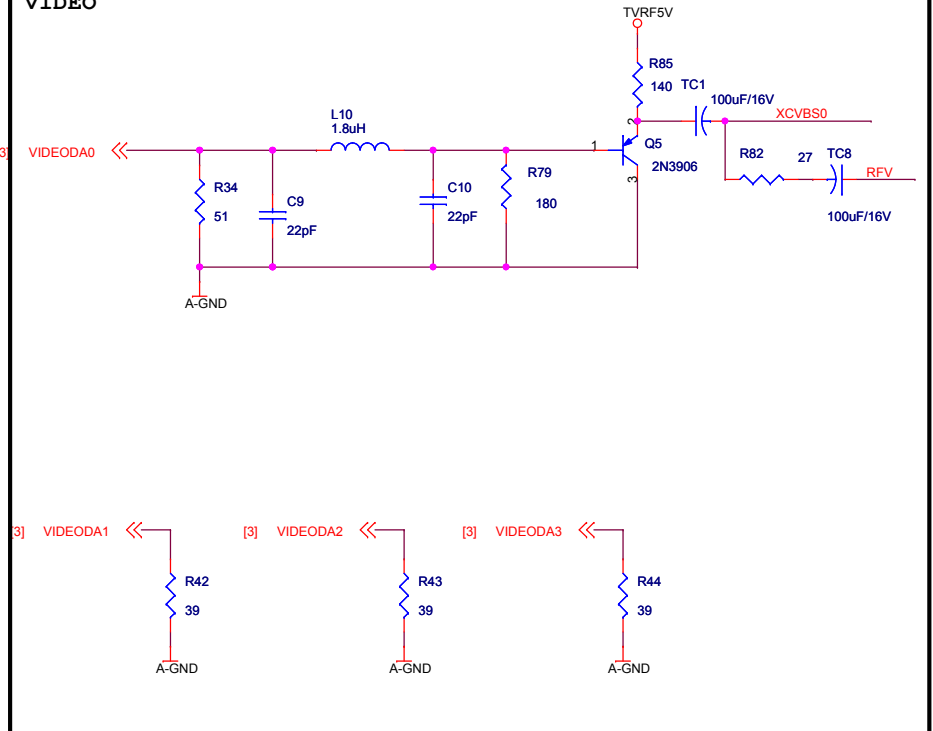
EJTAG Connector
Only for debug



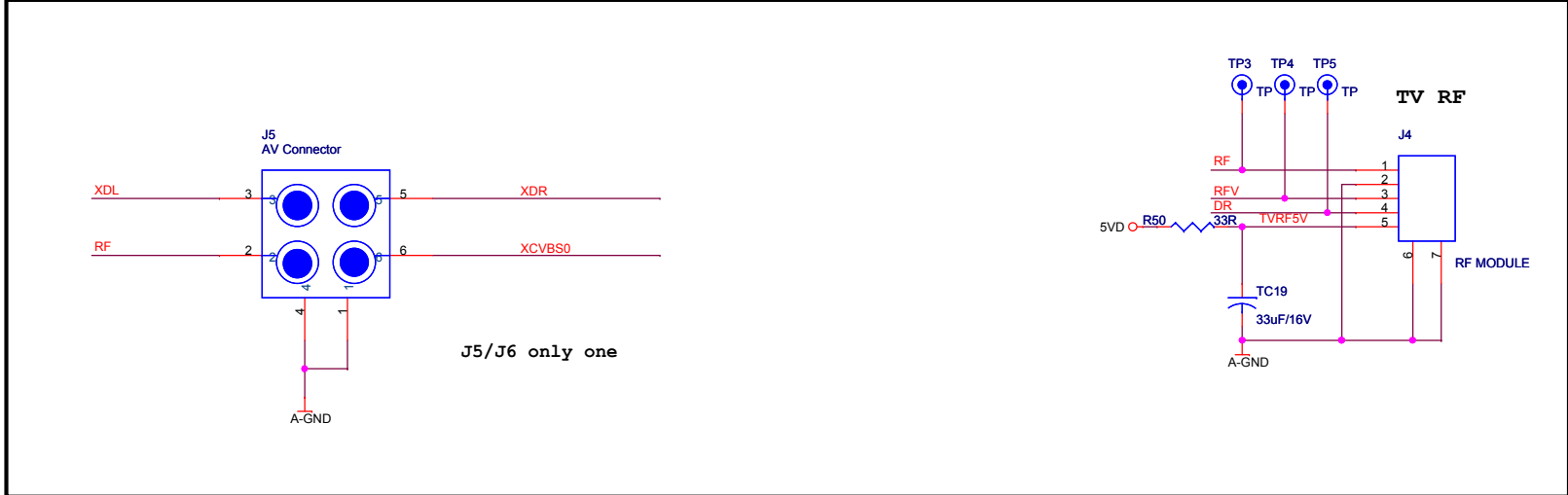
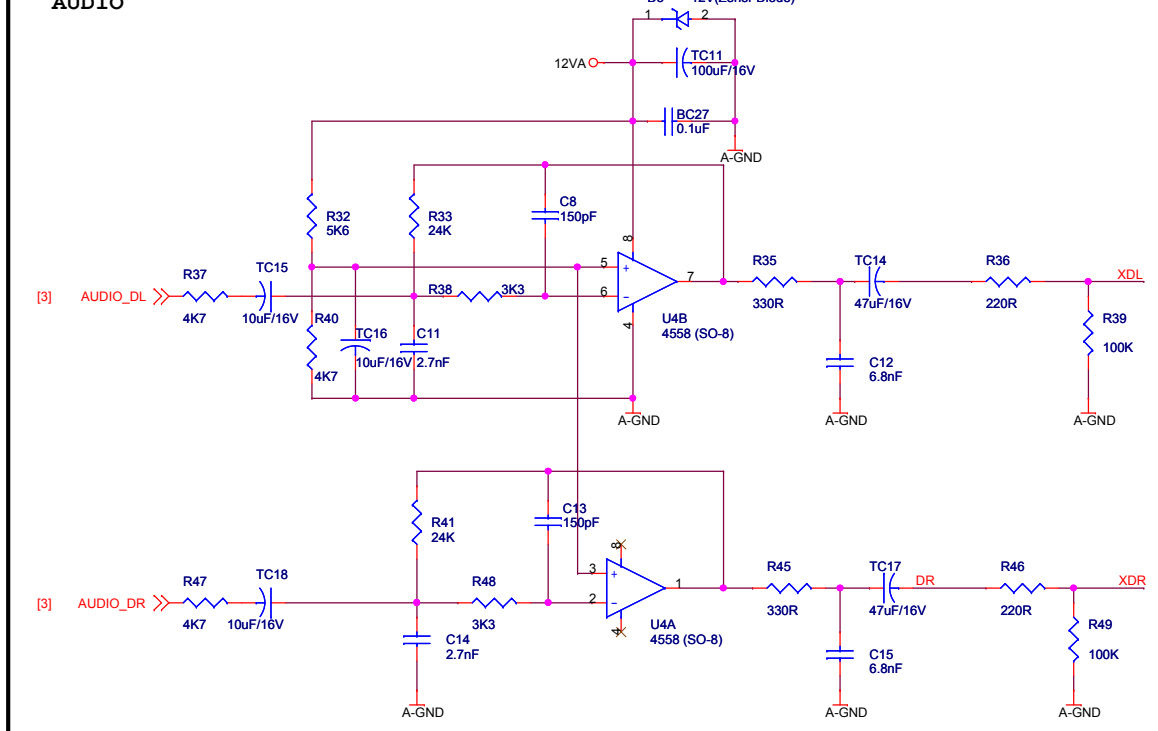
RS232 Connector



VIDEO



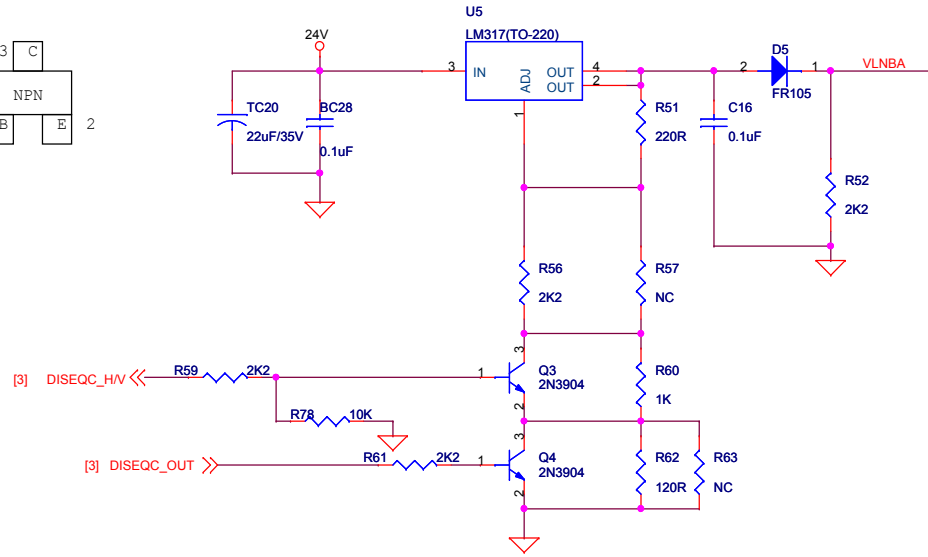
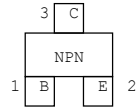
AUDIO



J5/J6 only one

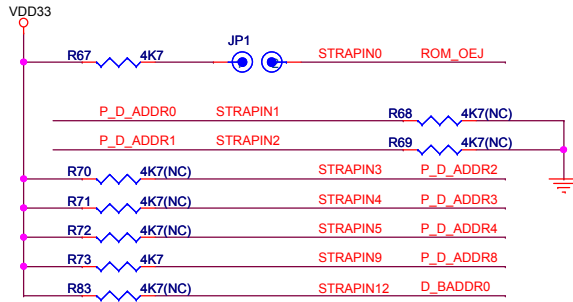
 揚智科技 ALI Corporation		
Title		
AUDIO/VIDEO		
Size	Document Number	Rev
B	M3328C CB	1.0
Date:	Thursday, January 05, 2006	Sheet 5 of 8

2N3904 (SOT-23)



M3328c Hardware Config

P_D_ADDR[0..10] << P_D_ADDR[0..10] [3,4]
 D_BADDR0 >> D_BADDR0 [4]
 ROM_OEJ << ROM_OEJ [3,4]



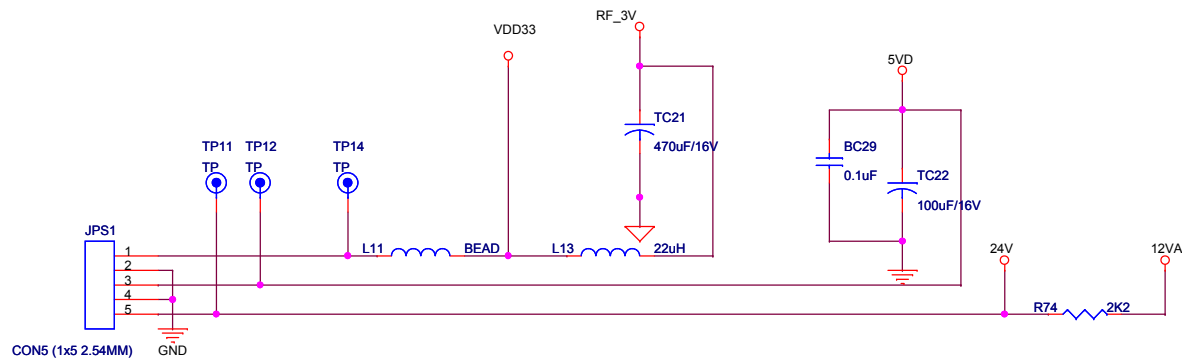
- CPU PROBE EN**
 STRAPIN[0]: ROM_OEJ
 0: Disable (DEFAULT)
 1: Enable
- CPU PLL M**
 STRAPIN[3:1]: P_D_ADDR[2..0]
 011: 216M (DEFAULT)
 100: 180M
 101: 154M
- MEM PLL M**
 STRAPIN[6:4]: P_D_ADDR[5..3]
 000: 135M (DEFAULT)
 001: 120M
 010: 98M
 011: 108M
- CHIP MODE**
 STRAPIN[11:9]: [P_D_ADDR10:8]
 000: Mode0 (Flash muxed 8-bit MODE) (DEFAULT)
 001: Mode1 (Flash and GPIO muxed MODE)
- CRYSTAL SELECT**
 STRAPIN[12]: [P_D_BADDR0]
 0: 27MHz (DEFAULT)
 1: 13.5MHz

ALI 揚智科技
 ALI Corporation

Title
TUNER

Size B	Document Number M3328C CB	Rev 1.0
Date:	Thursday, January 05, 2006	Sheet 6 of 8

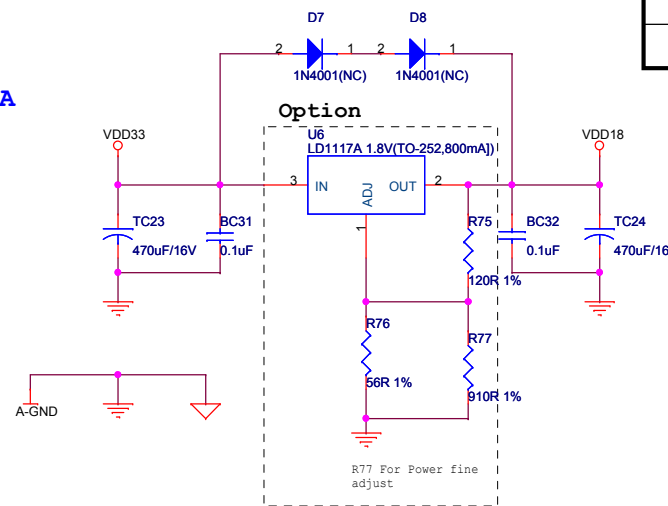
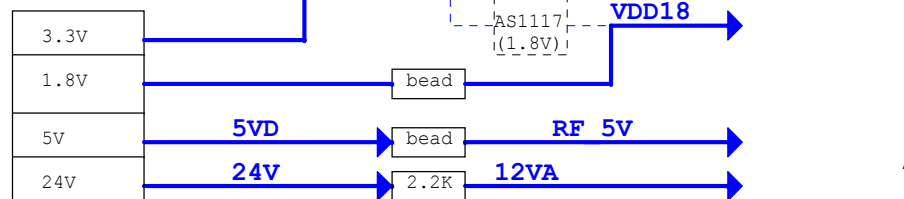
System Board Power Connector



VDD33	M3328C IO PART 3.3V
TVDAC3V3	M3328C VIDEO DAC 3.3V
RXADC_VDD	M3328C QPSK DIGITAL 3.3V
RXADC_VDDA	M3328C QPSK ANALOG 3.3V
VDD18	M3328C CORE 1.8V
5VD	DIGITAL 5V
RF_5V	TUNER POWER 5V
12VA	Audio OP POWER 12V
24V	LNB POWER 24V

GND	Digital GND
A-GND	ANALOG GND
TGND	TUNER RF GND

STB POWER SUPPLY



ALI 揚智科技
ALI Corporation

Title POWER		
Size B	Document Number M3328C CB	Rev 1.0
Date: Thursday, January 05, 2006	Sheet 7	of 8

