

**CF2000A-CQ Series**

Single Phase 250VAC

[Inquir](#)

## PCB Assembly Type

**Application**

Inverter/UPS/Industrial equipment etc.

**Specifications**

Part No.	Rated Current	
CF2030A-CQ	30A	fig1
CF2040A-CQ	40A	
CF2050A-CQ	50A	fig2
CF2060A-CQ	60A	
Rated Voltage	250VAC max	
Leakage Current	1.2mA max 250VAC 60Hz	

**fig1 (30,40A)**

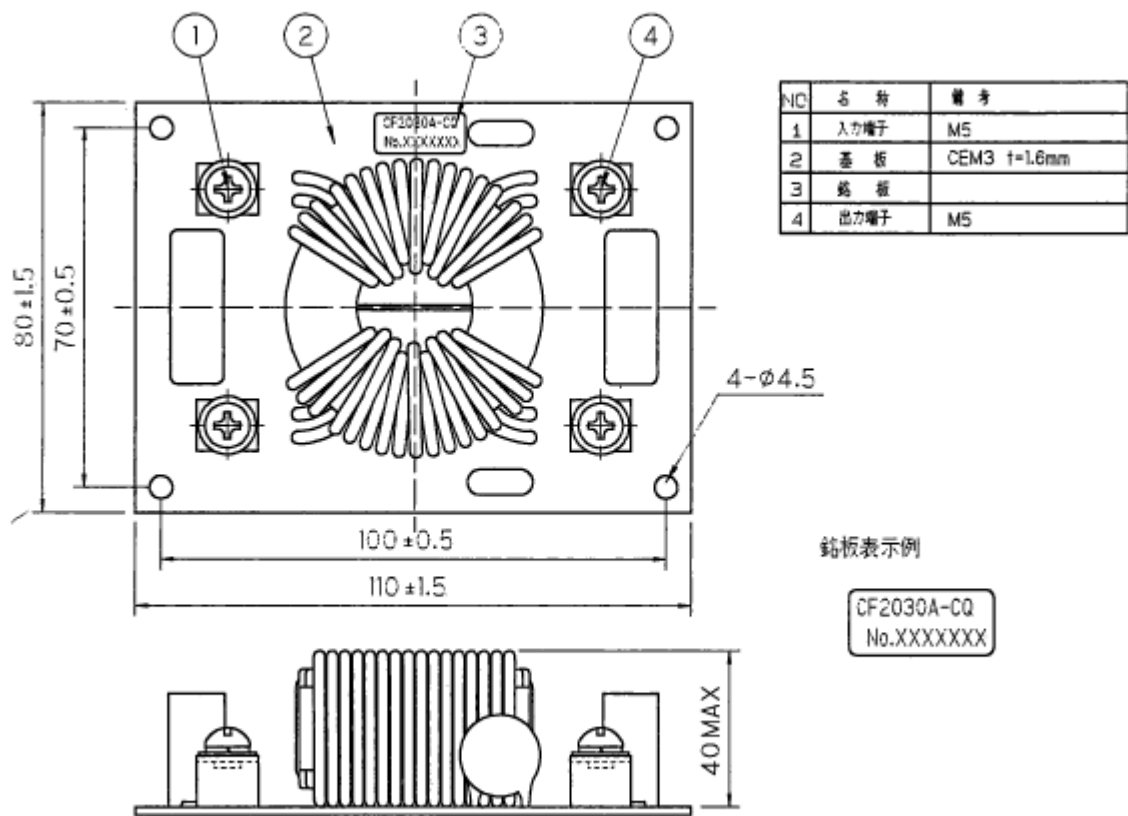
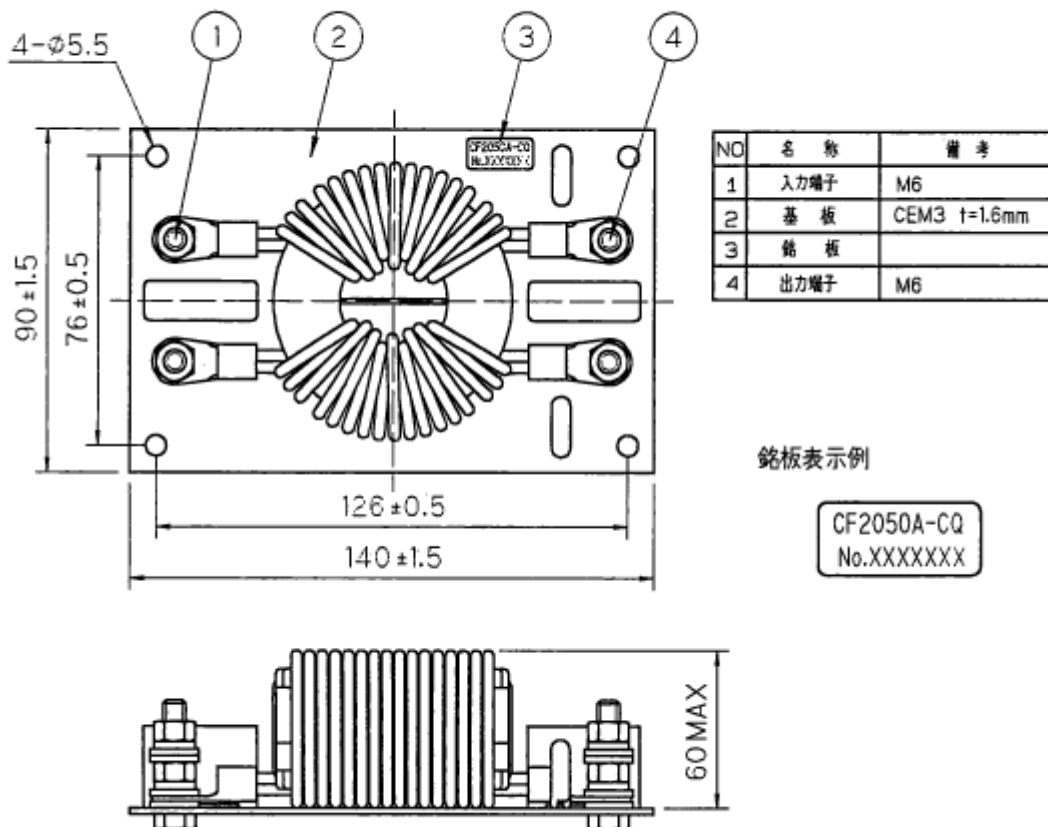
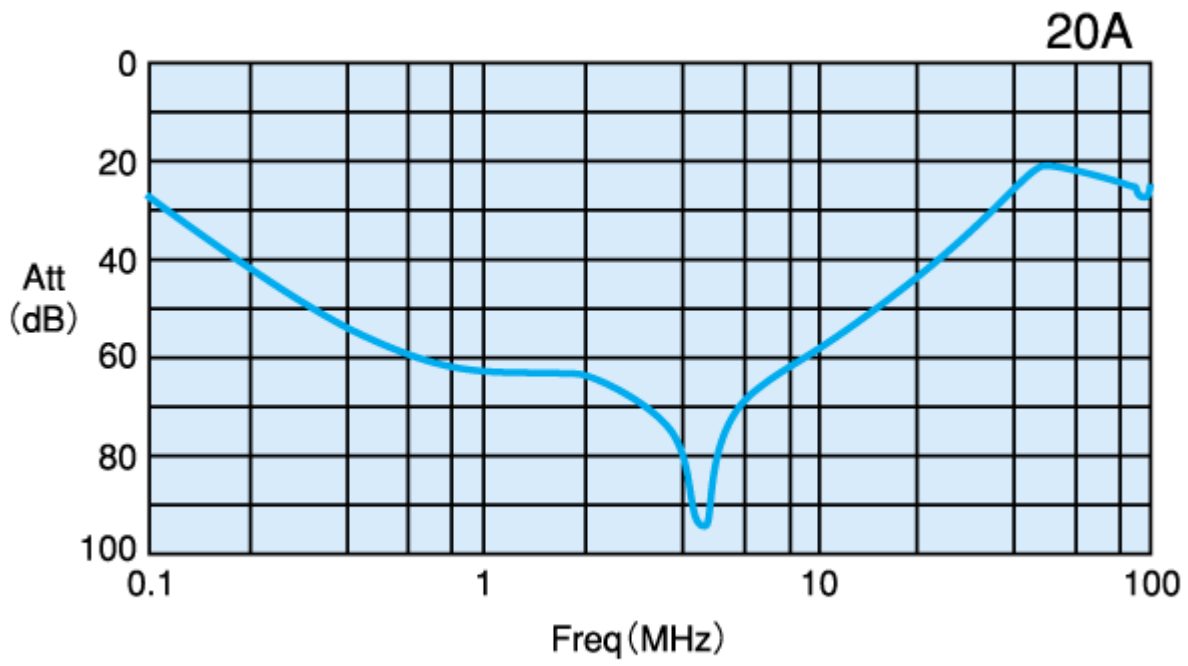


fig2 (50,60A)





Circuit Diagram

