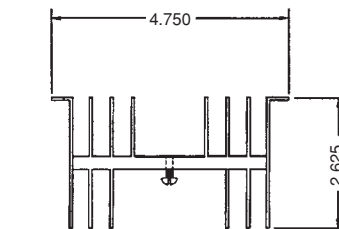
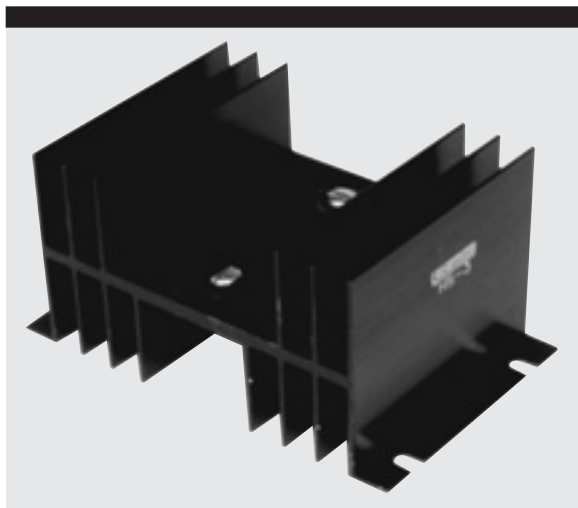
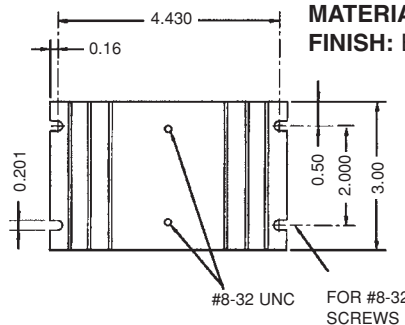


SOLID STATE RELAY ACCESSORIES

HS3 HEATSINK



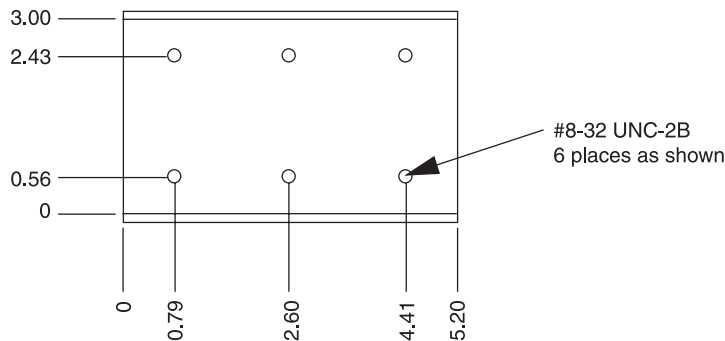
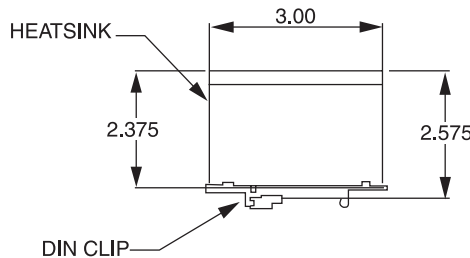
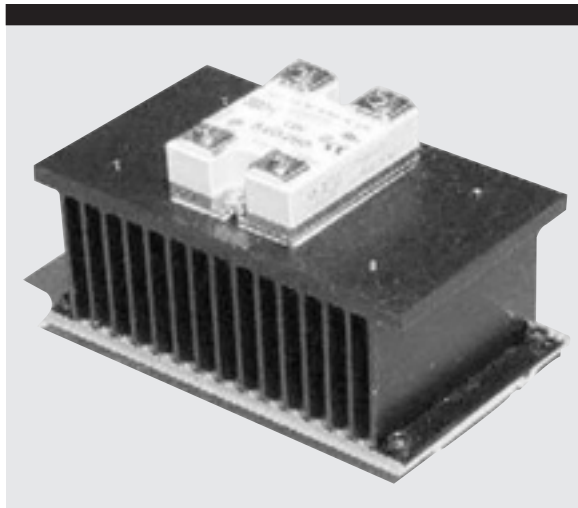
DIMENSIONS: inches
TOLERANCES: ±0.02 inches
MATERIAL: AISI 6063-T5 Aluminum
FINISH: Black Anodized



ORDERING INFORMATION:

| Model # | Description |
|---------|--|
| HS3 | Heatsink 1.5°C/W (For Single Phase SSR's) |

HS13 HEATSINK



ORDERING INFORMATION:

| Model # | Description |
|---------|--|
| HS13 | Heatsink 0.8°C/W (For Single Phase and Three Phase SSR's) |

DIMENSIONS: inches
TOLERANCES: ±0.02 inches
MATERIAL: AISI 6063-T5 Aluminum
FINISH: Black Anodized

Products and specifications subject to change without notice.

Order/Technical Support – Tel: (800) 677-5311 / FAX: (800) 677-3865 / www.crouzet-usa.com