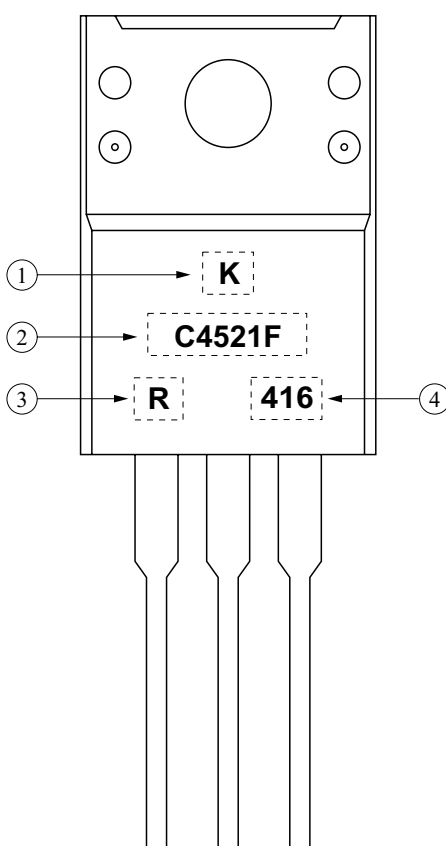


1. Marking method

Laser Marking or Ink Marking.

2. Marking



No.	Item	Marking	Description		
①	KEC	K	KEC CORP.		
②	Device Name	C4521F	KTC4521F		
③	hFE Grade	R	R, O, Y		
④	Lot No.	416	4	Year	0~9 : 2000~2009
			16	Week	16 : 16th Week