

## Fast 16K Bit Static RAM

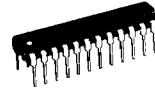
The MCM2016H is a 16,384 bit static random access memory organized as 2048 words by 8 bits, fabricated using Motorola's high-performance silicon-gate MOS (HMOS) technology. It uses an innovative design approach which combines the ease-of-use features of fully static operation (no external clocks or timing strobes required) with the reduced standby power dissipation associated with clocked memories. To the user this means low standby power dissipation without the need for address setup and hold times, nor reduced data rates due to cycle times that are longer than access times. Perfect for cache and sub-100 ns buffer memory systems, this high speed static RAM is intended for applications that demand superior performance and reliability.

Chip enable ( $\bar{E}$ ) controls the power-down feature. It is not a clock but rather a chip control that affects power consumption. In less than a cycle time after  $\bar{E}$  goes high, the part automatically reduces its power requirements and remains in this low-power standby mode as long as  $\bar{E}$  remains high. This feature provides significant system-level power savings.

The MCM2016H is in a 24-pin dual-in-line 300 mil wide plastic package with the industry standard JEDEC approved pinout.

- Single +5 V Operation,  $\pm 10\%$
- Fully Static: No Clock or Timing Strobe Required
- Fast Access Time: MCM2016H-45 = 45 ns (Maximum)  
 MCM2016H-55 = 55 ns (Maximum)  
 MCM2016H-70 = 70 ns (Maximum)
- Power Supply Current: 135 mA Maximum (Active)  
 20 mA Maximum (Standby)
- Three-State Output

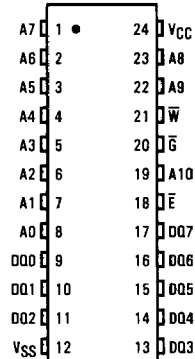
### MCM2016H



**N PACKAGE**  
**PLASTIC**  
**CASE 724**

3

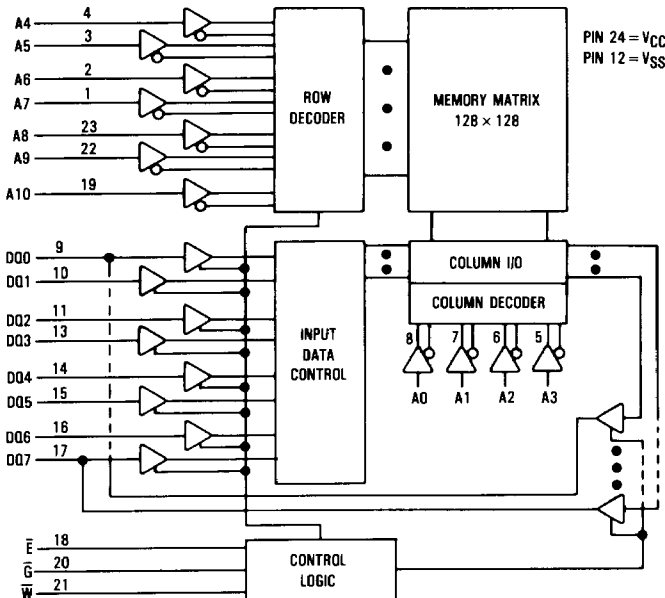
#### PIN ASSIGNMENT



#### PIN NAMES

A0-A10	Address Input
DQ0-DQ7	Data Input/Output
$\bar{W}$	Write Enable
$\bar{G}$	Output Enable
$\bar{E}$	Chip Enable
VCC	+5 V Power Supply
VSS	Ground

#### BLOCK DIAGRAM



## MODE SELECTION

Mode	$\bar{E}$	$\bar{G}$	$\bar{W}$	V <sub>CC</sub> Current	DQ
Standby	H	X	X	I <sub>SB</sub>	High Z
Read	L	L	H	I <sub>CC</sub>	Q
Write Cycle	L	X	L	I <sub>CC</sub>	D

This device contains circuitry to protect the inputs against damage due to high static voltages or electric fields; however, it is advised that normal precautions be taken to avoid application of any voltage higher than maximum rated voltages to this high-impedance circuit.

3

## ABSOLUTE MAXIMUM RATINGS (See Note)

Rating	Symbol	Value	Unit
Power Supply Voltage	V <sub>CC</sub>	-0.5 to +7.0	V
Voltage on Any Pin With Respect to V <sub>SS</sub>	V <sub>in</sub> , V <sub>out</sub>	-0.5 to +7.0	V
DC Output Current	I <sub>out</sub>	±20	mA
Power Dissipation	P <sub>D</sub>	1.1	Watt
Temperature Under Bias	T <sub>bias</sub>	-10 to +80	°C
Operating Temperature Range	T <sub>A</sub>	0 to +70	°C
Storage Temperature Range	T <sub>stg</sub>	-65 to +150	°C

NOTE: Permanent device damage may occur if ABSOLUTE MAXIMUM RATINGS are exceeded. Functional operation should be restricted to RECOMMENDED OPERATING CONDITIONS. Exposure to higher than recommended voltages for extended periods of time could affect device reliability.

## DC OPERATING CONDITIONS AND CHARACTERISTICS

(V<sub>CC</sub> = 5.0 V ± 10%, T<sub>A</sub> = 0 to 70°C, Unless Otherwise Noted)

## RECOMMENDED OPERATING CONDITIONS

Parameter	Symbol	Min	Typ	Max	Unit
Supply Voltage (Operating Voltage Range)	V <sub>CC</sub>	4.5	5.0	5.5	V
	V <sub>SS</sub>	0	0	0	V
Input Voltage (50 ns Maximum Address Rise and Fall Times, while the chip is selected)	V <sub>IH</sub>	2.2	3.0	6.0	V
	V <sub>IL</sub>	-0.5*	0	0.8	V

\*The device will withstand undershoots to the -2.5 volt level with a maximum pulse width of 50 ns. This is periodically sampled rather than 100% tested.

## DC CHARACTERISTICS

Parameter	Symbol	Min	Max	Unit
Input Leakage Current (V <sub>CC</sub> = 5.5 V, V <sub>in</sub> = GND to V <sub>CC</sub> )	I <sub>kg(I)</sub>	-1.0	1.0	μA
Output Leakage Current ( $\bar{E} = V_{IH}$ or $\bar{G} = V_{IH}$ , V <sub>I/O</sub> = GND to V <sub>CC</sub> )	I <sub>kg(O)</sub>	-1.0	1.0	μA
Operating Power Supply Current ( $\bar{E} = V_{IL}$ , I <sub>I/O</sub> = 0 mA)	I <sub>CC</sub>	-	135	mA
Standby Power Supply Current ( $\bar{E} = V_{IH}$ )	I <sub>SB</sub>	-	20	mA
Output Low Voltage (I <sub>OL</sub> = 8.0 mA)	V <sub>OL</sub>	-	0.4	V
Output High Voltage (I <sub>OH</sub> = -4.0 mA)	V <sub>OH</sub>	2.4	-	V

CAPACITANCE (f = 1.0 MHz, T<sub>A</sub> = 25°C, Periodically Sampled Rather Than 100% Tested)

Characteristic	Symbol	Typ	Max	Unit
Input Capacitance All Inputs Except $\bar{E}$ and DQ	$C_{in}$	3	5	pF
		5	7	
I/O Capacitance	C <sub>I/O</sub>	5	7	pF

## AC OPERATING CONDITIONS AND CHARACTERISTICS

( $V_{CC} = 5\text{ V} \pm 10\%$ ,  $T_A = 0\text{ to } +70^\circ\text{C}$ , Unless Otherwise Noted)

Input Pulse Levels . . . . . 0 and 3.0 V  
 Input Rise and Fall Times . . . . . 5 ns

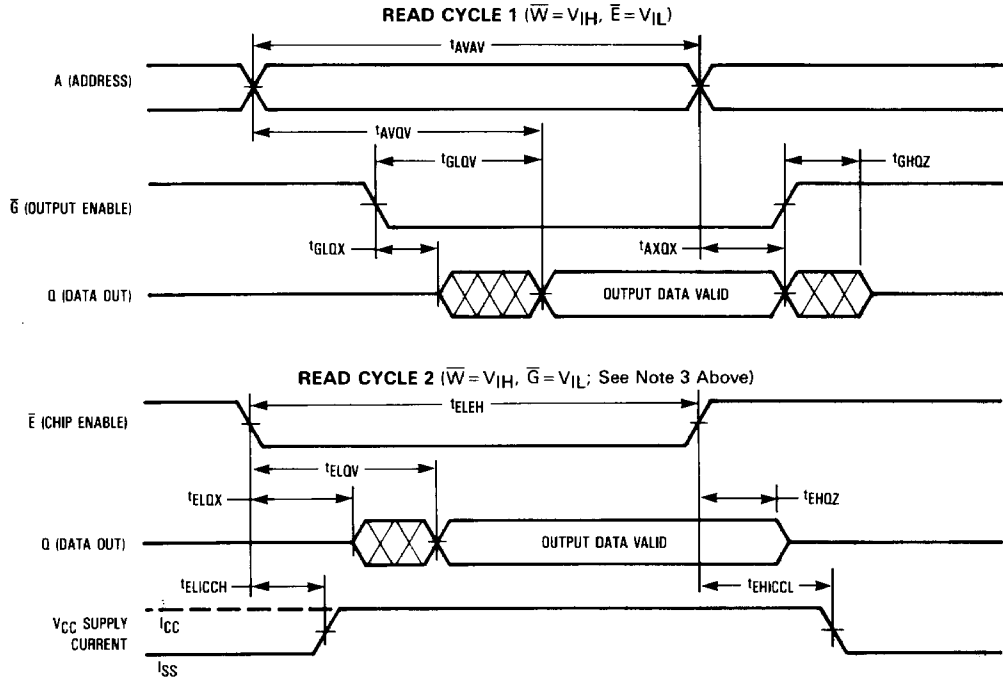
Input and Output Timing Measurement Reference Levels . . . 1.5 V  
 Output Load . . . . . See Figure 1

### READ CYCLE (See Note 1)

Parameter	Symbol		MCM2016H-45		MCM2016H-55		MCM2016H-70		Units	Notes
	Standard	Alternate	Min	Max	Min	Max	Min	Max		
Address Valid to Address Valid (Read Cycle Time)	$t_{AVAV}$	$t_{RC}$	45	—	55	—	70	—	ns	
Address Valid to Output Valid (Address Access Time)	$t_{AVQV}$	$t_{AC}$	—	45	—	55	—	70	ns	
Chip Enable Low to Chip Enable High (Read Cycle Time)	$t_{ELEH}$	$t_{RC}$	45	—	55	—	70	—	ns	
Chip Enable Low to Output Valid (Chip Enable Access Time)	$t_{ELQV}$	$t_{ACS}$	—	45	—	55	—	70	ns	
Output Enable Low to Output Valid (Output Enable Access Time)	$t_{GLOV}$	$t_{OE}$	—	20	—	25	—	30	ns	
Chip Enable Low to Output Invalid (Chip Enable to Output Active)	$t_{ELQX}$	$t_{CLZ}$	5	—	5	—	5	—	ns	2
Chip Enable High to Output High Z (Chip Disable to Output Disable)	$t_{EHOZ}$	$t_{CHZ}$	0	20	0	20	0	20	ns	2
Output Enable Low to Output Invalid (Output Enable to Output Active)	$t_{GLOX}$	$t_{OLZ}$	0	—	0	—	0	—	ns	2
Output Enable High to Output High Z (Output Disable to Output Disable)	$t_{GHOZ}$	$t_{OHZ}$	0	20	0	20	0	20	ns	2
Address Invalid to Output Invalid (Output Hold Time)	$t_{AXQX}$	$t_{OH}$	5	—	5	—	5	—	ns	
Chip Enable Low to Power Up	$t_{ELICCH}$	$t_{PU}$	0	—	0	—	0	—	ns	
Chip Enable High to Power Down	$t_{EHICCL}$	$t_{PD}$	—	20	—	20	—	20	ns	

### NOTES:

1. Transition time specification applies for all input signals. In addition to meeting the transition rate specification, all input signals must transition between  $V_{IL}$  and  $V_{IH}$  (or between  $V_{IH}$  and  $V_{IL}$ ) in a monotonic manner.
2. Transition is measured  $\pm 200\text{ mV}$  from the steady state output voltage with the output loading specified in Figure 1.
3. In read cycle 2, all addresses are valid prior to or coincident with chip enable ( $\bar{E}$ ) transition low.

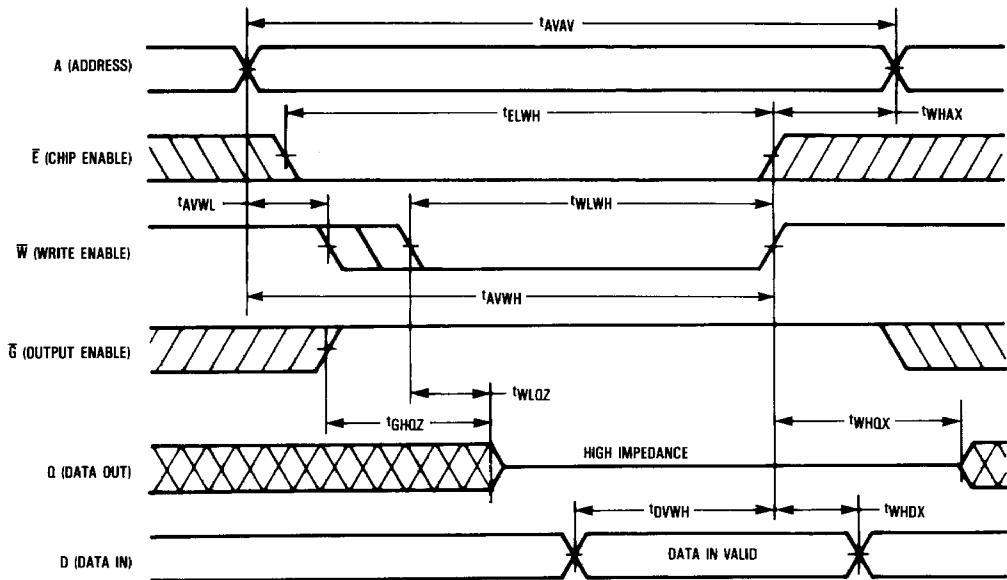


## WRITE CYCLE (See Notes 1 and 2)

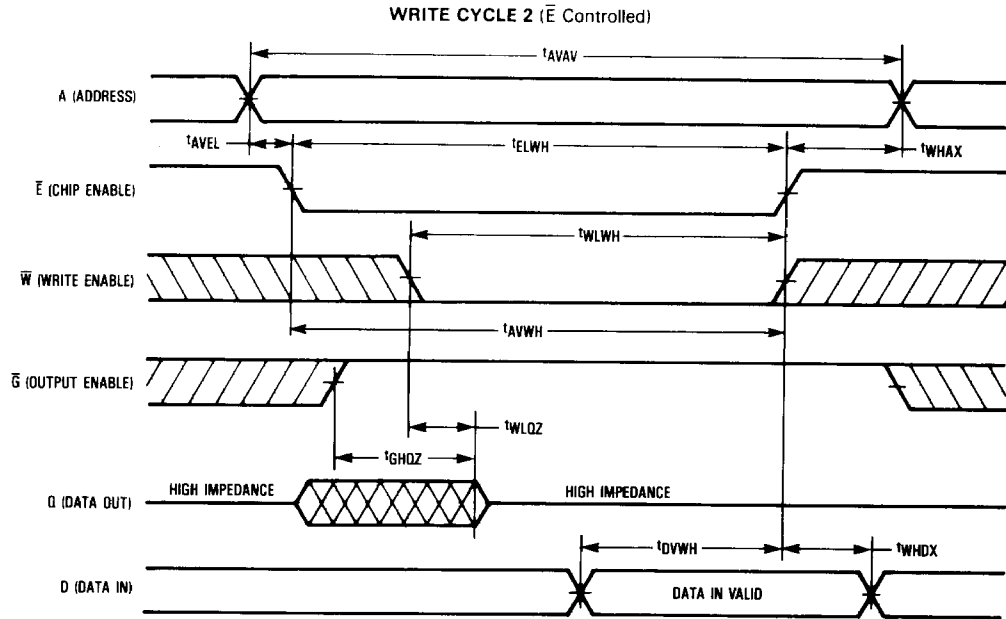
Parameter	Symbol		MCM2016H-45		MCM2016H-55		MCM2016H-70		Units	Notes
	Standard	Alternate	Min	Max	Min	Max	Min	Max		
Address Valid to Address Valid (Write Cycle Time)	$t_{AVAV}$	$t_{WC}$	45	—	55	—	70	—	ns	
Chip Enable Low to Write High (Chip Enable to End of Write)	$t_{ELWH}$	$t_{EW}$	40	—	50	—	65	—	ns	
Address Valid to Chip Enable Low (Address Setup to Chip Enable)	$t_{AVEL}$	$t_{AS}$	0	—	0	—	0	—	ns	
Address Valid to Write Low (Address Setup to Write)	$t_{AVWL}$	$t_{AS}$	0	—	0	—	0	—	ns	
Address Valid to Write High	$t_{AVWH}$	$t_{AW}$	40	—	50	—	65	—	ns	3
Write Low to Write High (Write Pulse Width)	$t_{WLWH}$	$t_{WP}$	35	—	40	—	40	—	ns	
Write High to Address Don't Care (Address Hold After End of Write)	$t_{WHAX}$	$t_{WR}$	0	—	0	—	0	—	ns	4
Write High to Output Don't Care (Output Active After End of Write)	$t_{WHQX}$	$t_{WLZ}$	0	—	0	—	0	—	ns	5
Write Low to Output High Z (Write Enable to Output Disable)	$t_{WLOZ}$	$t_{WHZ}$	0	20	0	20	0	20	ns	5
Data Valid to Write High (Data Setup to End of Write)	$t_{DVWH}$	$t_{DS}$	20	—	25	—	30	—	ns	3
Write High to Data Don't Care (Data Hold After End of Write)	$t_{WHDX}$	$t_{DH}$	0	—	0	—	0	—	ns	3, 5
Output Enable High to Output High Z	$t_{GHOZ}$	$t_{OHZ}$	0	20	0	20	0	20	ns	

## NOTES:

- Write enable ( $\overline{W}$ ) must be high during all address transitions.
- If the chip enable ( $\overline{E}$ ) low transition occurs simultaneously with the write enable ( $\overline{W}$ ) transition, the output remains in a high impedance state.
- Both chip enable ( $\overline{E}$ ) and write enable ( $\overline{W}$ ) must be active (low) to write data into the memory. Either signal can terminate the write cycle by going high. Data in setup and hold timing should be referenced to the rising edge of the signal that terminates the write.
- $t_{WHAX}$  is measured from the earlier of, chip enable ( $\overline{E}$ ) or write enable ( $\overline{W}$ ) going high to the end of write cycle.
- Output enable ( $\overline{G}$ ) can be either low or high during a write cycle. If chip enable ( $\overline{E}$ ) and  $\overline{G}$  are both low during this period then the data input/output (DQ) pins are in the output state. Under these conditions input signals of opposite phase to the outputs must not be applied.

WRITE CYCLE 1 ( $\overline{W}$  Controlled)

# MCM2016H



3

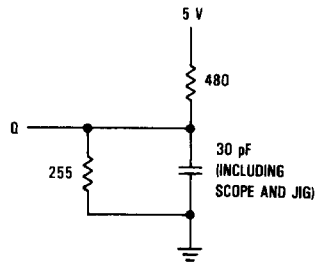
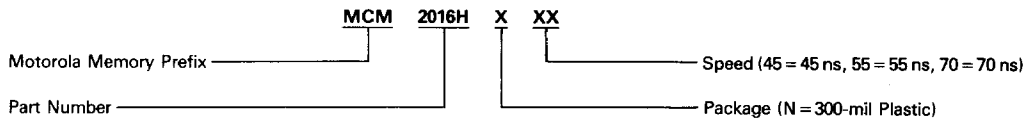


Figure 1. Output Load

**ORDERING INFORMATION**  
(Order by Full Part Number)



Full Part Numbers—MCM2016HN45    MCM2016HN55    MCM2016HN70