

# INTEGRATED CIRCUIT POWER DRIVERS

## MEDIUM-CURRENT SOURCE DRIVERS

### ALL DEVICES

- Internal Transient-Suppression Diodes
- TTL, CMOS, PMOS, NMOS Compatible

### UDN-2580EP and UDN-2580LW

- - 500 mA, 50 V Darlingtion Outputs
- Active Low Inputs

### UDN-2585EP and UDN-2585LW

- - 250 mA, 35 V Saturated Outputs
- Active High Inputs

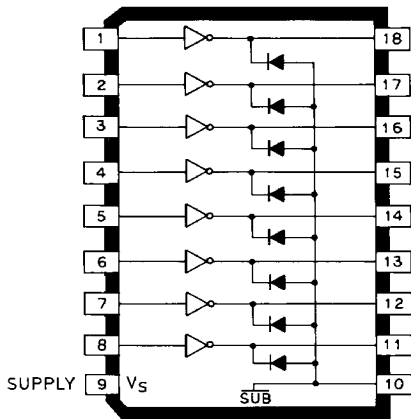
### UDN-2982EP and UDN-2982LW

- - 500 mA, 50 V Darlingtion Outputs
- Active High Inputs
- Extended-Temperature, Hermetically Sealed Version to MIL-STD-883 is UDS-2982EK

### UDN-2984EP and UDN-2984LW

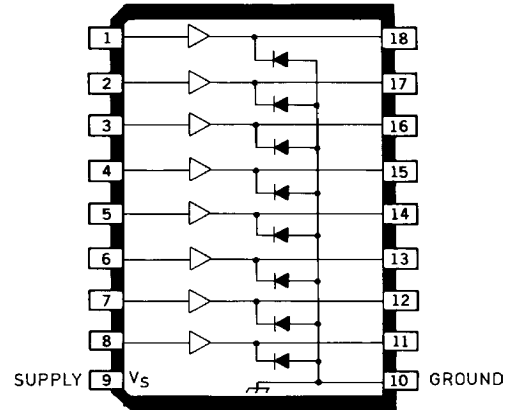
- - 500 mA, 80 V Darlingtion Outputs
- Extended-Temperature, Hermetically Sealed Version to MIL-STD-883 is UDS-2984EK

UDN-2580/85LW



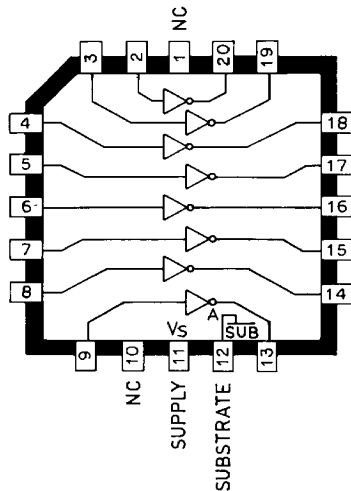
Dwg. No. A-14,333

UDN-2982/84LW



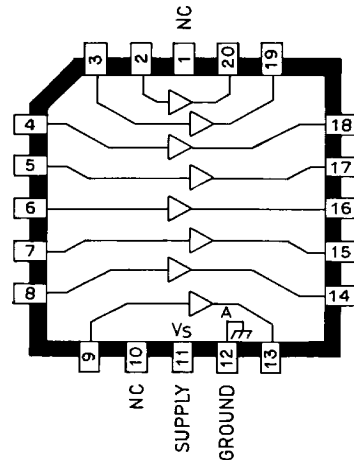
Dwg. No. A-14,339

UDN-2580/85EP



Dwg. No. A-14,334

UDN-2982/84EP  
UDS-2982/84EK



Dwg. No. A-14,338