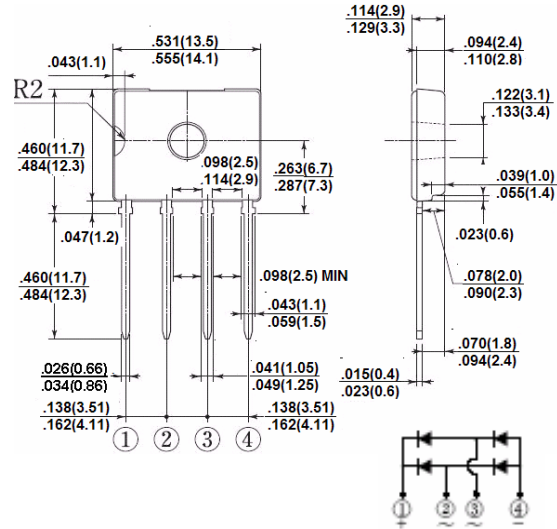


UR3KB series Single Phase 3.0 AMPS. Glass Passivated Bridge Rectifiers

D3K



Features

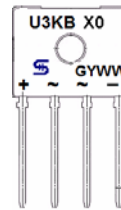
- ✦ UL Recognized
- ✦ Glass passivated junction
- ✦ Ideal for printed circuit board
- ✦ High case dielectric strength
- ✦ Plastic material has Underwriters laboratory flammability Classification 94V-0
- ✦ Typical IR less than 0.1uA
- ✦ High surge current capability
- ✦ High temperature soldering guaranteed:
260°C / 10 seconds at 5 lbs., (2.3 kg) tension
- ✦ Green compound with suffix "G" on packing code & prefix "G" on datecode.

Mechanical Data

- ✦ Case : Molded plastic body
- ✦ Terminal : Pure tin plated , Lead free. Leads solderable per MIL-STD-202 Method 208
- ✦ Weight : 1.41 grams (0.053 ounce)
- ✦ Mounting Torque : 0.8 N.M max.

Dimension in inches and (millimeter)

Marking Diagram



U3KB X0 = Specific Device Code
G = Green Compound
Y = Year
WW = Work Week

Maximum Ratings and Electrical Characteristics

Rating at 25°C ambient temperature unless otherwise specified.
Single phase, half wave, 60 Hz, resistive or inductive load.
For capacitive load, derate current by 20%

Type Number	Symbol	UR3KB 20	UR3KB 40	UR3KB 60	UR3KB 80	UR3KB 100	Units
Maximum Recurrent Peak Reverse Voltage	V_{RRM}	200	400	600	800	1000	V
Maximum RMS Voltage	V_{RMS}	140	280	420	560	700	V
Maximum DC Blocking Voltage	V_{DC}	200	400	600	800	1000	V
Maximum Average Forward Current Without heat sink $T_a=29^{\circ}C$ 60 Hz sine wave resistance load With heat sink $T_c=140^{\circ}C$	$I_{(AV)}$	1.2 3.0					A
Peak Forward Surge Current, 8.3 ms Single Half Sine-wave Superimposed on Rated Load (JEDEC method)	I_{FSM}	90					A
Rating of fusing ($t < 8.3mS$)	I^2t	35					A ² S
Maximum Instantaneous Forward Voltage @ 1.5A	V_F	1.00					V
Maximum DC Reverse Current at Rated DC Blocking Voltage	I_R	10					uA
Dielectric Strength (Terminal to Case, AC 1minute)	V_{dis}	2.0					kV
Typical Thermal Resistance (Note 1)	$R_{\theta JA}$	13.7					°C/W
	$R_{\theta JC}$	5.2					
	$R_{\theta JL}$	5.5					
Operating Temperature Range	T_J	-55 to +150					°C
Storage Temperature Range	T_{STG}	-55 to +150					°C

Note 1 : Unit case mounted on 2" x 3" x 0.25" Al plate heat sink.

Rating and Sharacteristic Curves (UR3KBX0)

